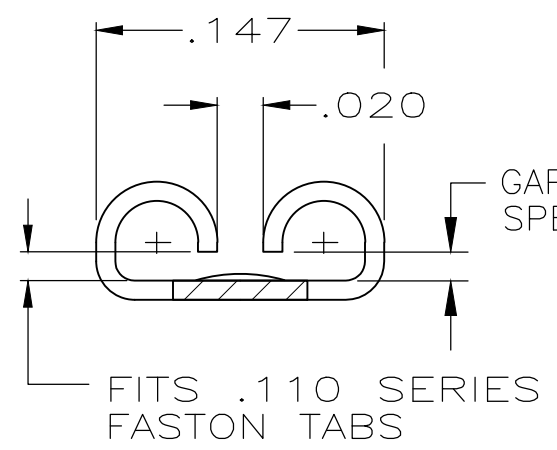
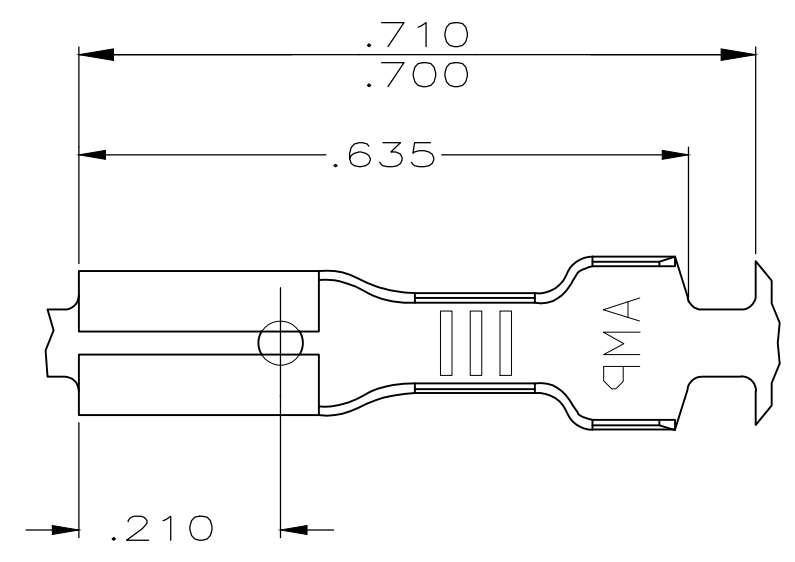


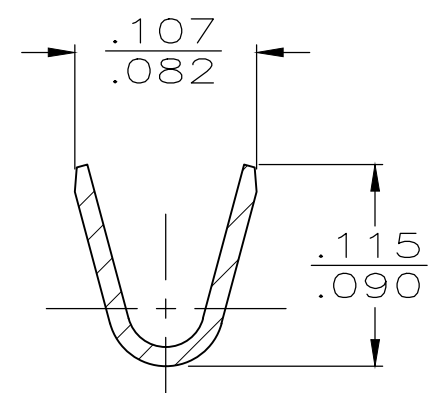
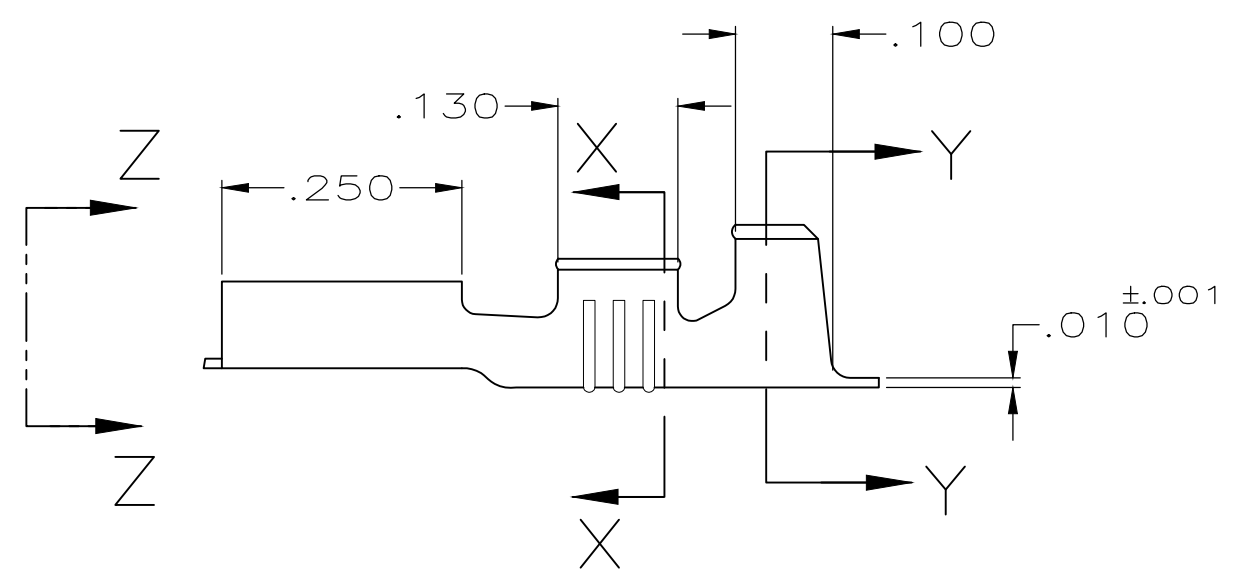
THIS DRAWING IS UNPUBLISHED. RELEASED FOR PUBLICATION
 © COPYRIGHT - By - ALL RIGHTS RESERVED.

LOC	DIST	REVISIONS					
AF	50	P	LTR	DESCRIPTION	DATE	DWN	APVD
		H2		REVISED PER ECR-20-009164	28JUL2020	MK	DH

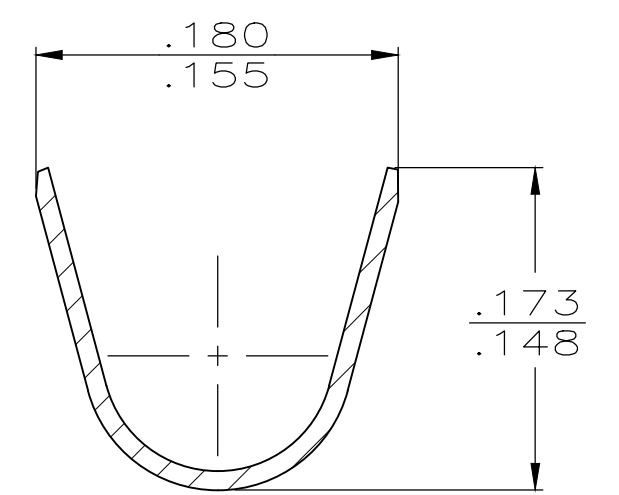


VIEW Z-Z
SCALE 10:1

- 1 CONTINUOUS STRIP ON REELS
- 2 FINISH LEAD-FREE, MATTE TIN OVER NICKEL



SECTION X-X
SCALE 10:1



SECTION Y-Y
SCALE 10:1

.090-.130	22-18 AWG	.021-.019	2	62094-3
			-	62094-2
			PRE-TIN	62094-1
INSUL RANGE	WIRE SIZE	MATING TAB THK	FINISH	PART NO.

THIS DRAWING IS A CONTROLLED DOCUMENT.		DWN JR RUTH 12/20/90	STE TE Connectivity		
DIMENSIONS: INCHES		CHK MS FEHER 12/20/90			
TOLERANCES UNLESS OTHERWISE SPECIFIED:		APVD C MEYERS 12/21/90	NAME RECEPTACLE, FASTON, .110 SERIES		
0 PLC ± -		PRODUCT SPEC	SIZE		
1 PLC ± -		APPLICATION SPEC	CAGE CODE		
2 PLC ± -		WEIGHT	DRAWING NO		
3 PLC ± .015			RESTRICTED TO		
4 PLC ± -			A300779 C-62094		
ANGLES ± -			SCALE 5:1		
FINISH			SHEET 1 OF 1		
BRASS			REV H2		
SEE TABLE		CUSTOMER DRAWING			

单击下面可查看定价，库存，交付和生命周期等信息

[>>TE Connectivity\(泰科\)](#)