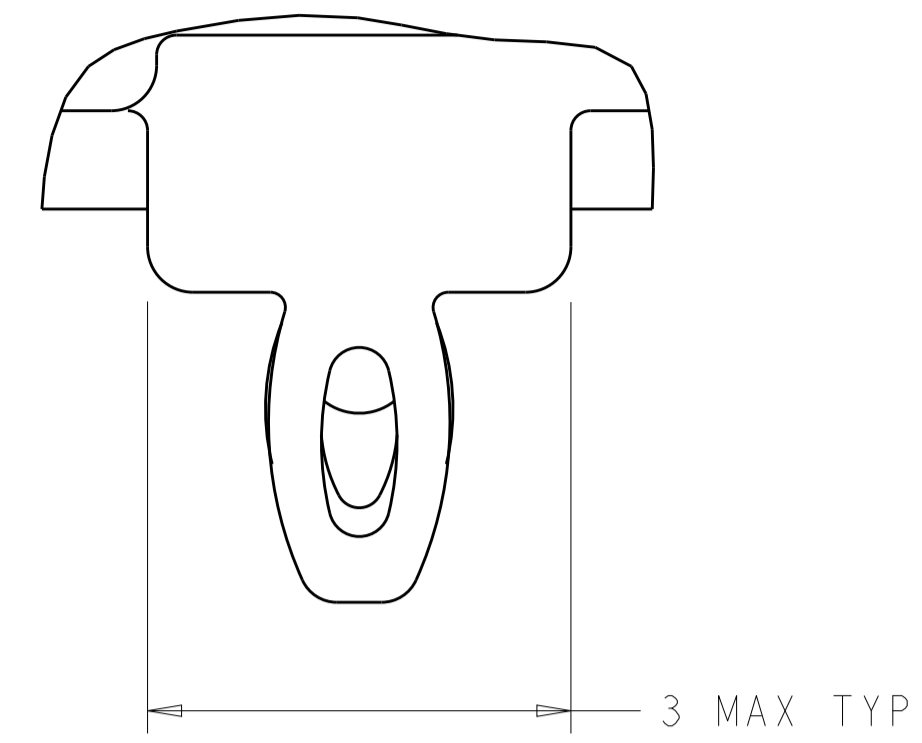


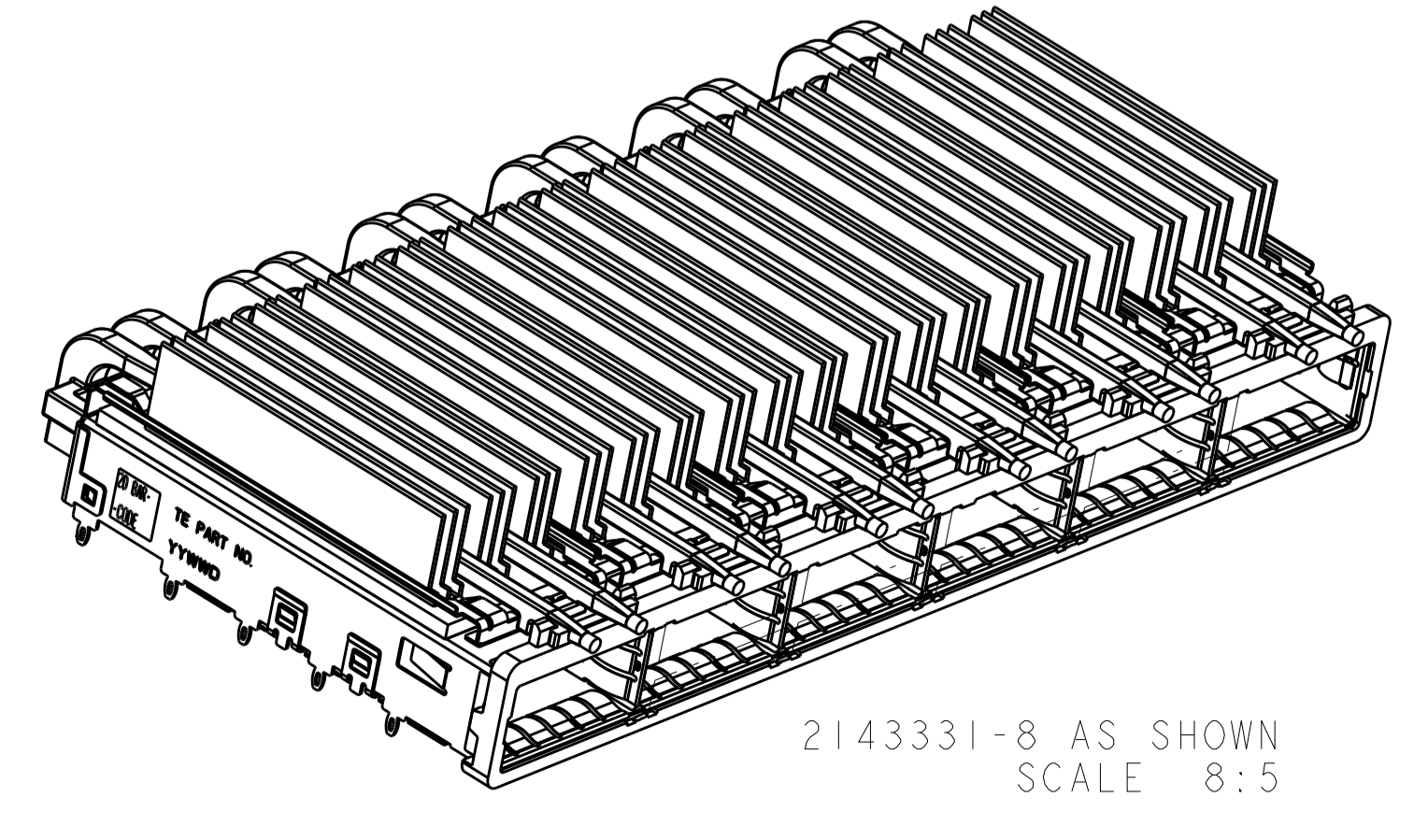
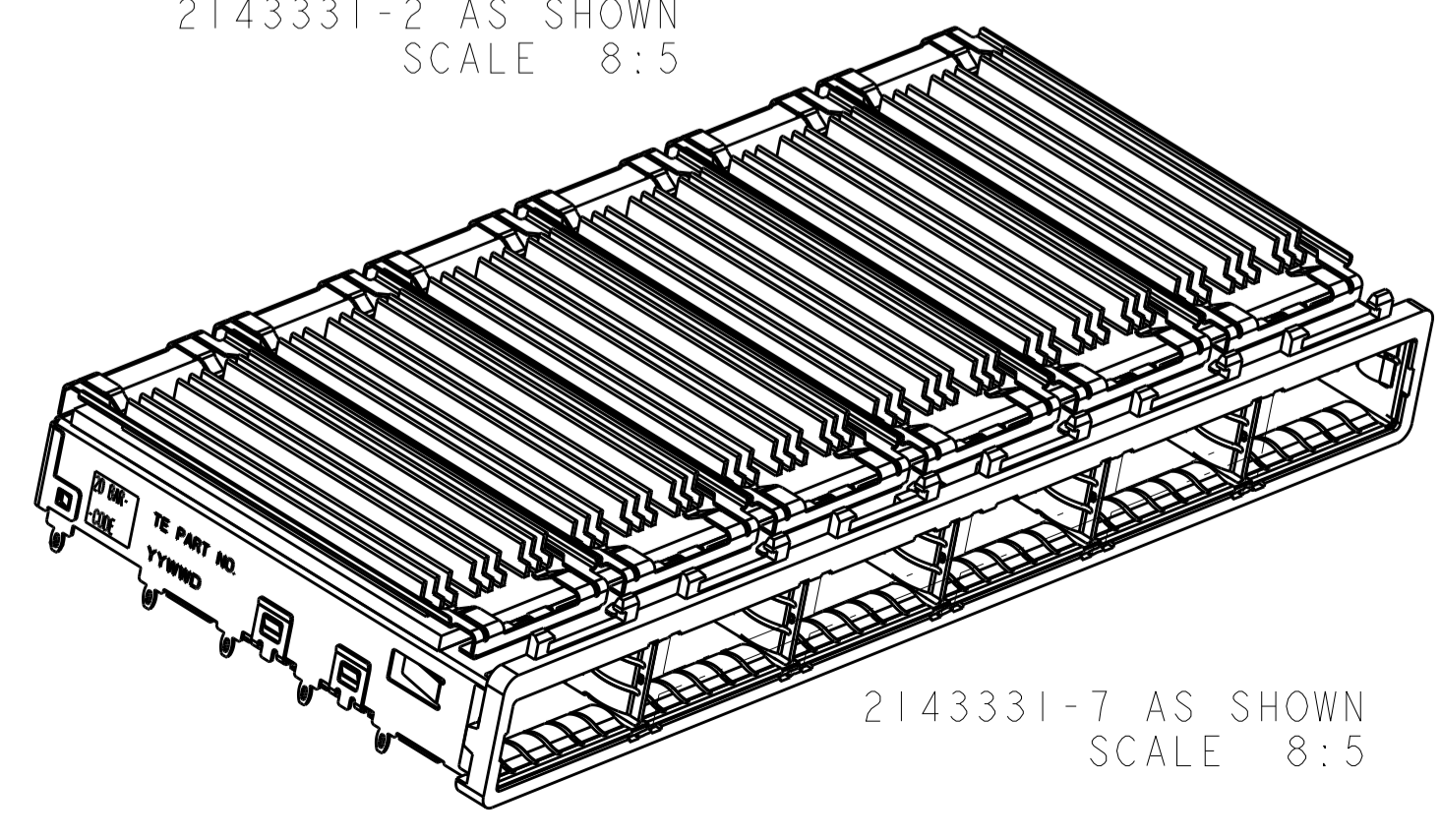
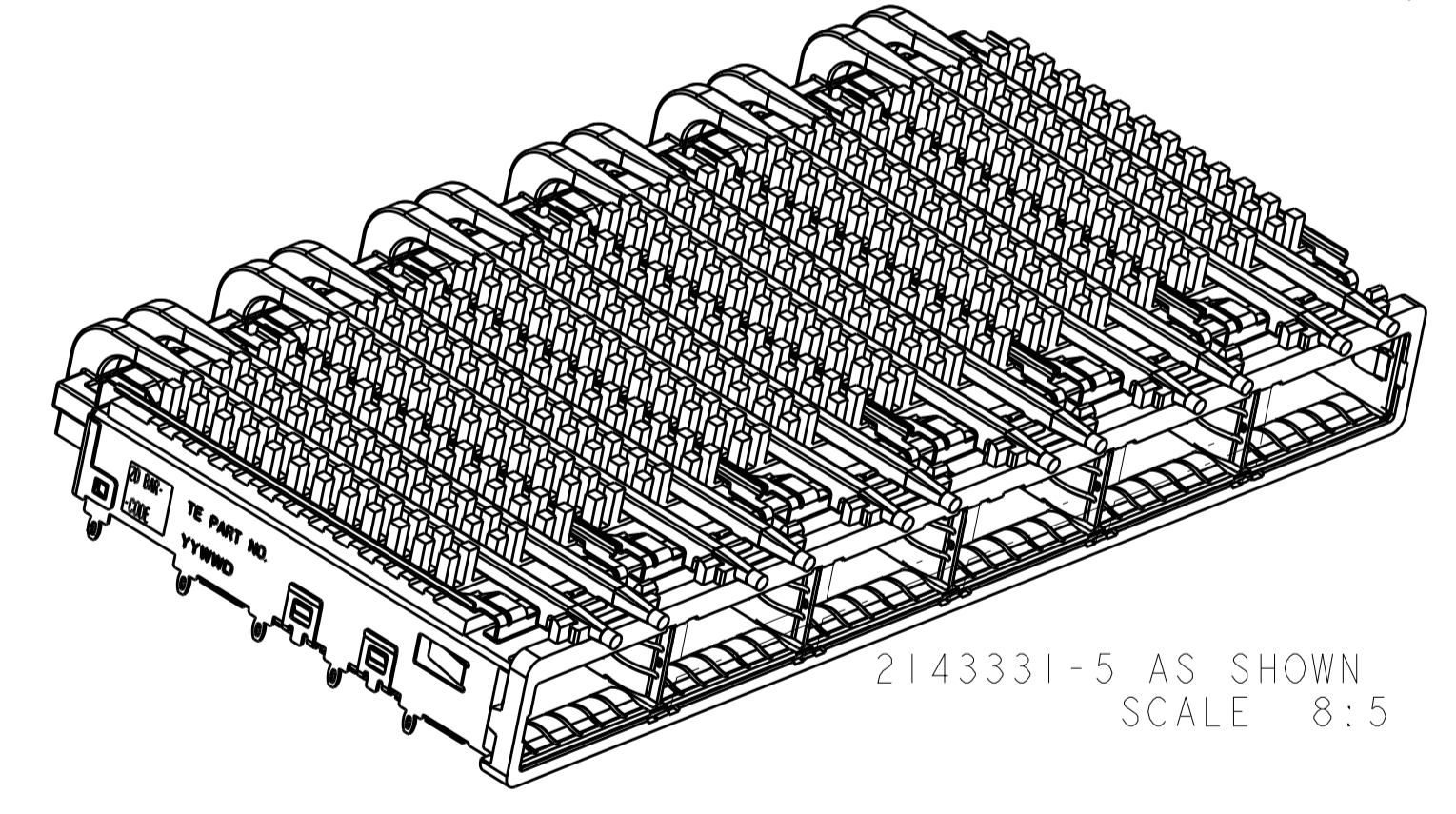
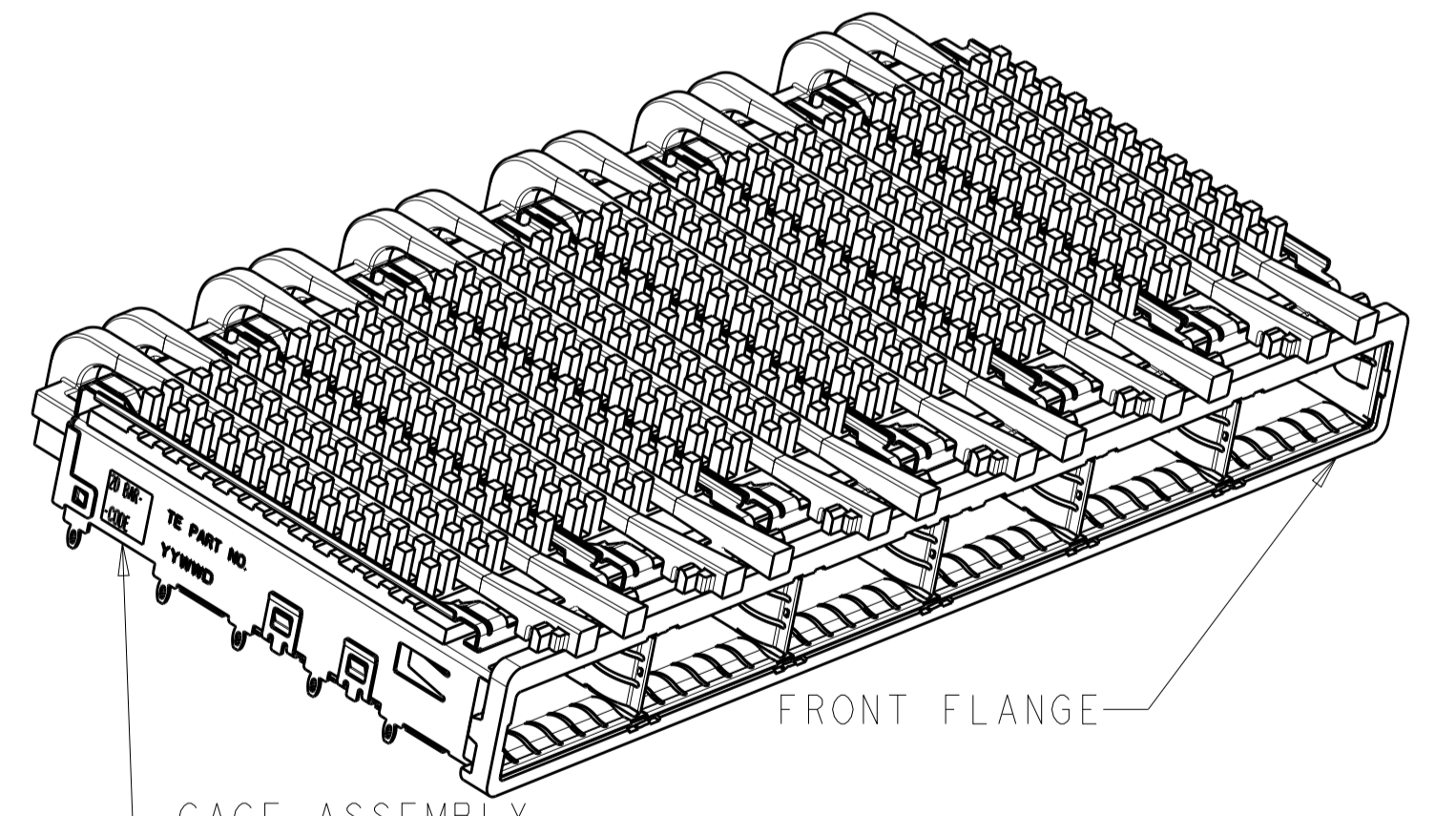
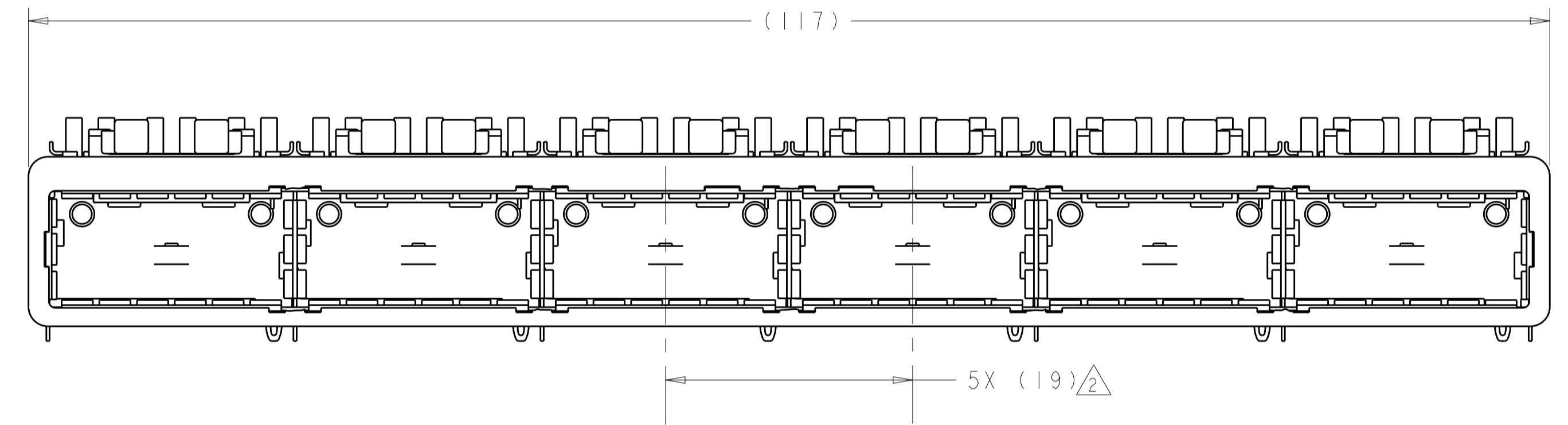
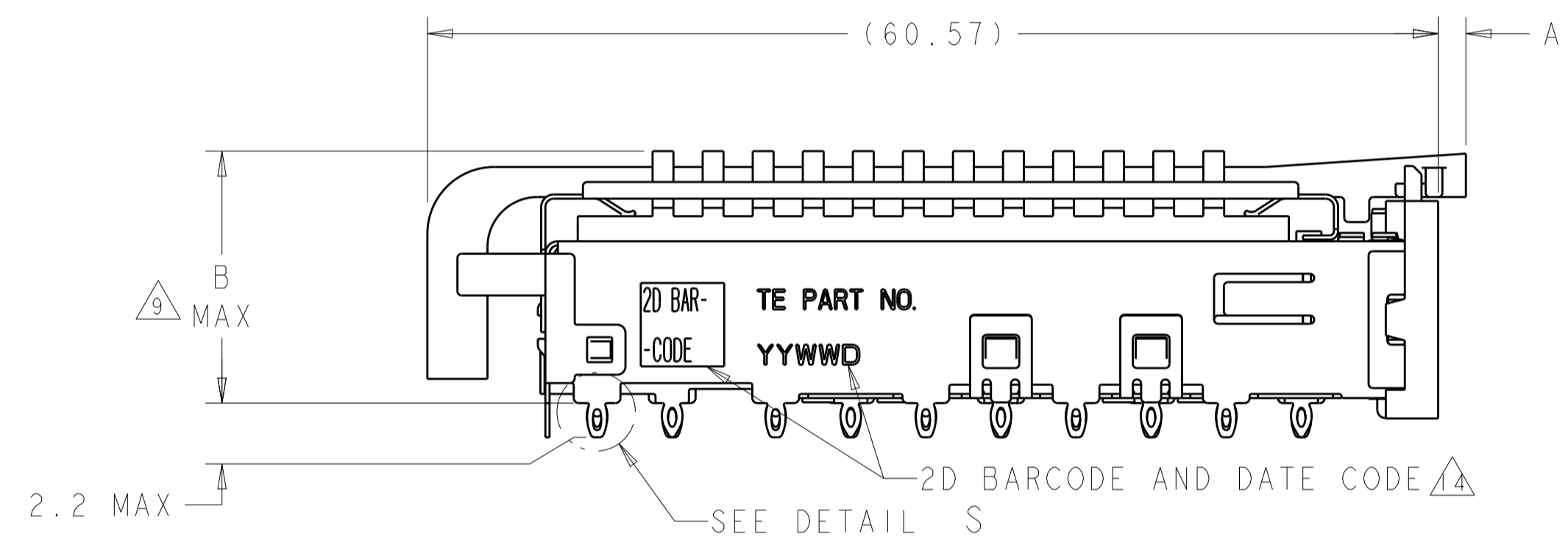
LOC	DIST	REVISIONS					
		P.	LTN	DESCRIPTION	DATE	DWN	APVD
GP	00	6		REVISED PER ECO-12-003841	14MAR2012	TY	KS
		7		REVISED PER ECO-12-005533	05APR2012	JY	AC
		A		REVISED PER ECR-13-019963	5NOV2013	RG	MC
		B		REVISED PER ECO-14-016878	30EC2014	RG	MC



DETAIL S  
 SCALE 20:1

- ⚠ CAGE ASSEMBLY MATERIAL: NICKEL SILVER, 0.25 THICK  
 HEAT SINK MATERIAL: ALUMINUM/NICKLE PLATING  
 HEAT SINK CLIP MATERIAL: STAINLESS STEEL  
 EMI SPRING MATERIAL: COPPER ALLOY  
 FRONT FLANGE MATERIAL: ZINC ALLOY  
 LIGHT PIPE MATERIAL: CLEAR POLYCARBONATE
- ② PITCH BETWEEN PORTS OF ONE 1X6 CAGE ASSEMBLY.
- ③ SPACING BETWEEN CAGES ON THE SAME PC BOARD, TO BE SPECIFIED BY CUSTOMER, MUST COMPLY WITH MINIMUM DIMENSIONS SHOWN.
- ④ REFERENCE APPLICATION SPEC 114-13218 FOR RECOMMENDED DRILL HOLE DIAMETER AND PLATING THICKNESS.
- ⑤ DATUMS AND BASIC DIMENSIONS ESTABLISHED BY CUSTOMER.
- ⑥ DIMENSION F IS THE NOMINAL THICKNESS OF CUSTOMER SUPPLIED PC BOARD,  
 SINGLE SIDED PC BOARD MINIMUM THICKNESS = 1.45mm  
 DOUBLE SIDED PC BOARD MINIMUM THICKNESS = 2.2mm PER QSFP.
- ⑦ HEAT SINKS, LIGHT PIPES, AND HEAT SINK CLIPS SHIPPED ASSEMBLED TO CAGE ASSEMBLY. CAGE ASSEMBLY MAY BE PRESSED INTO THE PCB AS SHIPPED.
- ⑧ DATUM A IS TOP SURFACE OF PC BOARD.
- ⑨ DIMENSION APPLIES WITH MODULE INSERTED IN CAGE.
- ⑩ UNPLATED THRU HOLE.
- 11. MATES WITH QSFP MSA COMPATIBLE TRANSCEIVER.
- ⑫ SURFACE TRACES PERMITTED WITHIN THIS AREA EXCEPT WHERE CAGE STANDOFFS, SHOWN IN DETAIL S, CONTACT PC BOARD.
- ⑬ BASELINE FOR THESE DIMENSIONS IS THE CENTER OF COMPLIANT PIN HOLE.
- ⑭ 2D BARCODE AND DATE CODE (YYWW) MARKED ON SIDE OF CAGE ASSEMBLY.

- ⑮ REFERENCE APP SPEC 114-13218 FOR GASKET THICKNESS CALCULATION.
- ⑯ EMI SPRING FINISH: 2um MINIMUM TIN  
 FRONT FLANGE FINISH: 3um MINIMUM TIN OVER 1.27um MINIMUM NICKEL OVER 5.08um MINIMUM COPPER.
- ⑰ HEAT SINKS AND CLIPS SHIPPED ASSEMBLED TO CAGE ASSEMBLY. CAGE ASSEMBLY MAY BE PRESSED INTO THE PCB AS SHIPPED. LIGHT PIPES, SHIPPED UNATTACHED, MUST BE ASSEMBLED BY CUSTOMER AFTER THE CAGE IS SEATED IN THE PCB.
- ⑱ ROUND LIGHT PIPES PLEASE SEE SHEET 4/6
- ⑲ HEAT SINK FINISH: BLACK ANODIZED



⑬	⑱	⑲	⑱	⑱	⑱	⑱
ROUND LIGHT PIPE	2.00	21.0	FIN TYPE	2143331-8		
N/A	N/A	15.0	FIN TYPE	2143331-7		
ROUND LIGHT PIPES	1.66	23.0	NETWORKING	2143331-6		
		13.7	PCI	2143331-4		
SQUARE LIGHT PIPES	1.66	23.0	NETWORKING	2143331-3		
		16.0	SAN	2143331-2		
		13.7	PCI	2143331-1		
LIGHT PIPE TYPE	A	B	HEAT SINK PROFILE	PART NUMBER		

THIS DRAWING IS A CONTROLLED DOCUMENT. DWN: C. VALENTINE 18MAR2010  
 CHK: J. PETERSON 18MAR2010  
 APVD: J. PETERSON 18MAR2010

DIMENSIONS: mm  
 0 PLC ±0.20  
 1 PLC ±0.15  
 2 PLC ±0.15  
 3 PLC ±0.15  
 4 PLC ±0.15  
 ANGLES ±0.15

TOLERANCES UNLESS OTHERWISE SPECIFIED:

MATERIAL: FINISH: ⑱

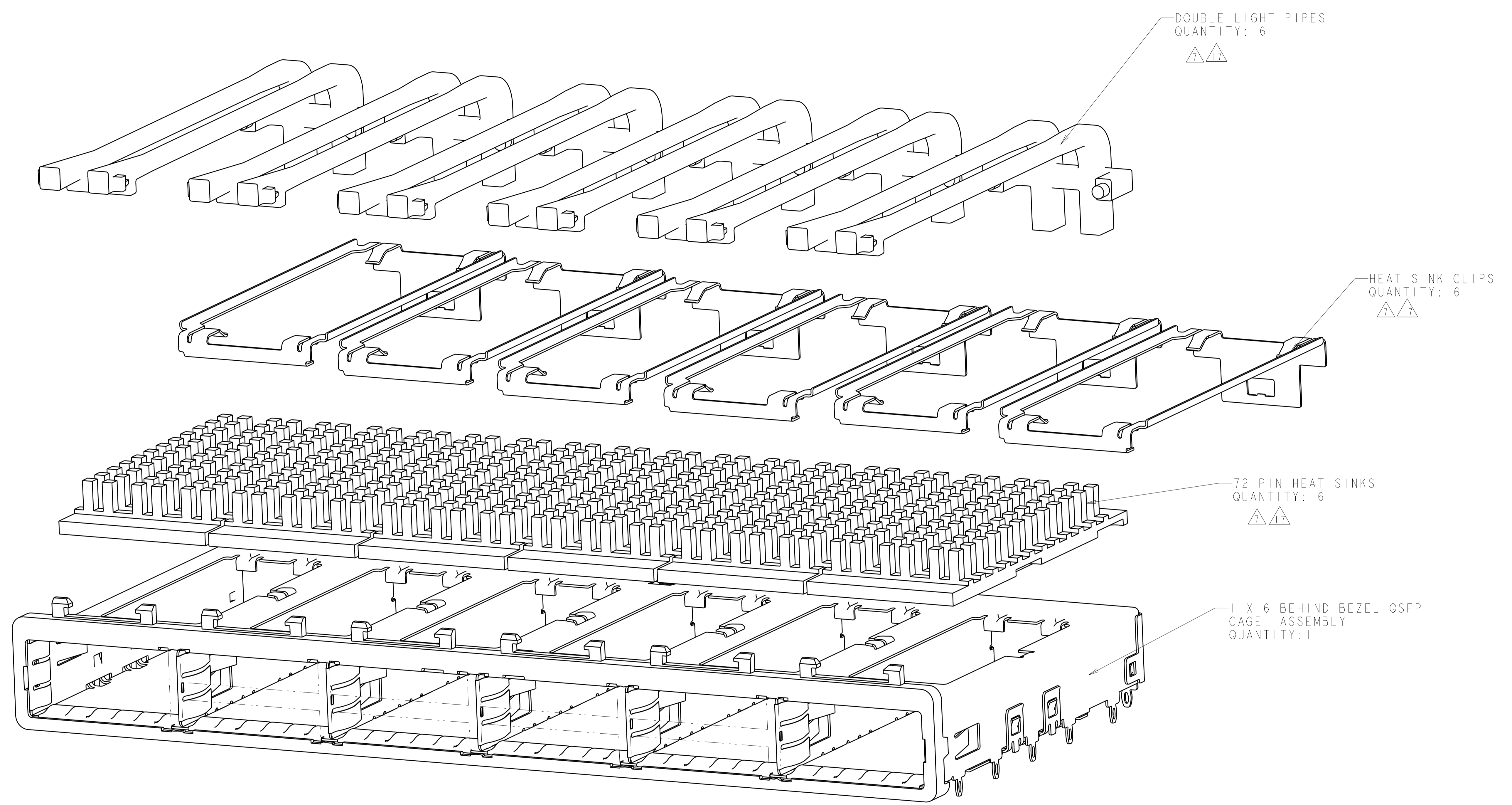
Customer Drawing

NAME: 1X6 CAGE ASSEMBLY, BEHIND BEZEL, W/ SQS LIGHT PIPES AND HEAT SINKS, QSFP  
 PRODUCT SPEC: 108-2286  
 APPLICATION SPEC: 114-13218  
 WEIGHT: -

SIZE: A1  
 CAGE CODE: 00779  
 DRAWING NO: C=2143331  
 RESTRICTED TO: -

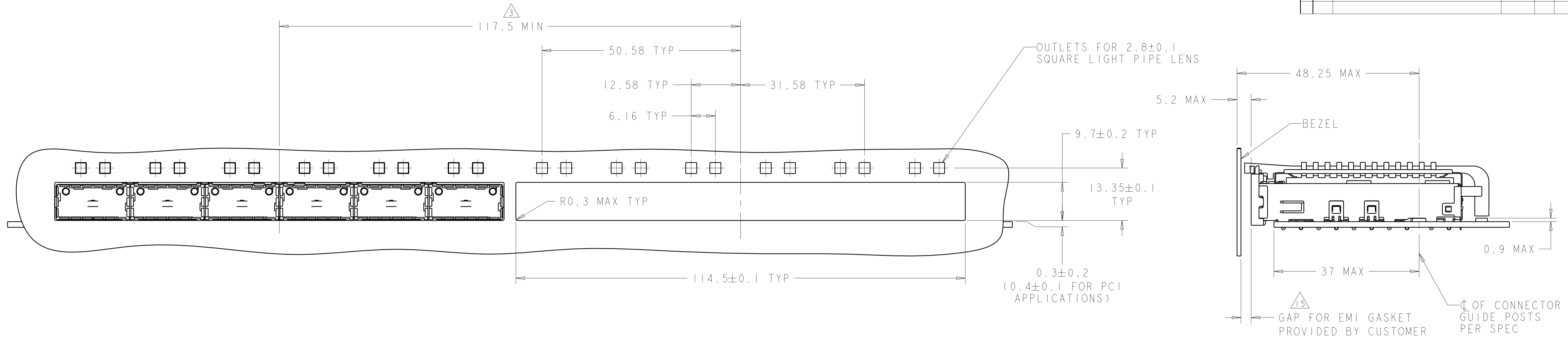
SCALE: 3:1 SHEET 1 OF 6 REV: B1

LOC	DIST	REVISIONS			
P	LTN	DESCRIPTION	DATE	DWN	APVD
-	-	SEE SHEET 1	-	-	-

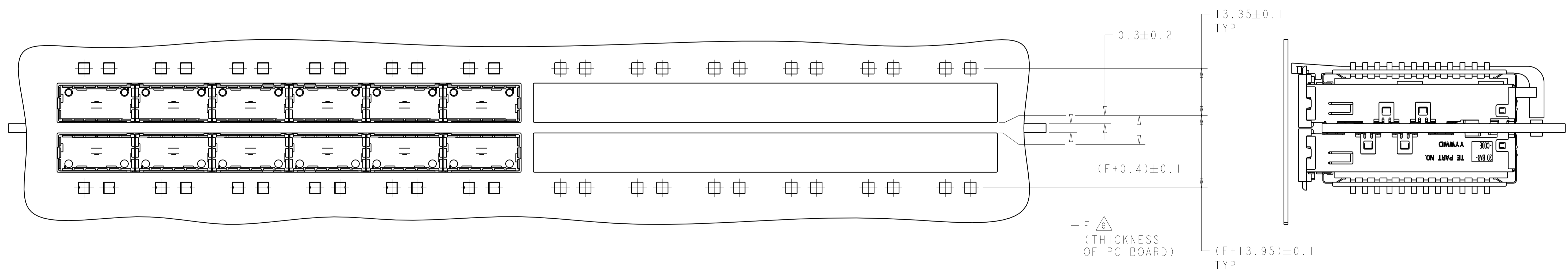


THIS DRAWING IS A CONTROLLED DOCUMENT.		DWN C. VALENTINE 18MAR2010	TE Connectivity	
DIMENSIONS:		CHK J. PETERSON 18MAR2010		
mm	TOLERANCES UNLESS OTHERWISE SPECIFIED:	APVD J. PETERSON 18MAR2010	NAME 1X6 CAGE ASSEMBLY, BEHIND BEZEL, W/ 50R LIGHT PIPES AND HEAT SINKS, QSFP	
0 PLC ±	1 PLC ±0.1	PRODUCT SPEC	SIZE CAGE CODE DRAWING NO RESTRICTED TO	
2 PLC ±0.1	3 PLC ±	108-2286	A100779C=2143331	
4 PLC ±	ANGLES ±	APPLICATION SPEC	SCALE 4:1 SHEET 2 OF 6 REV B1	
MATERIAL	FINISH	114-13218	Customer Drawing	
		WEIGHT		

LOC	DIST	REV	DESCRIPTION	DATE	OWN	APVD
GP	00		SEE SHEET 1			



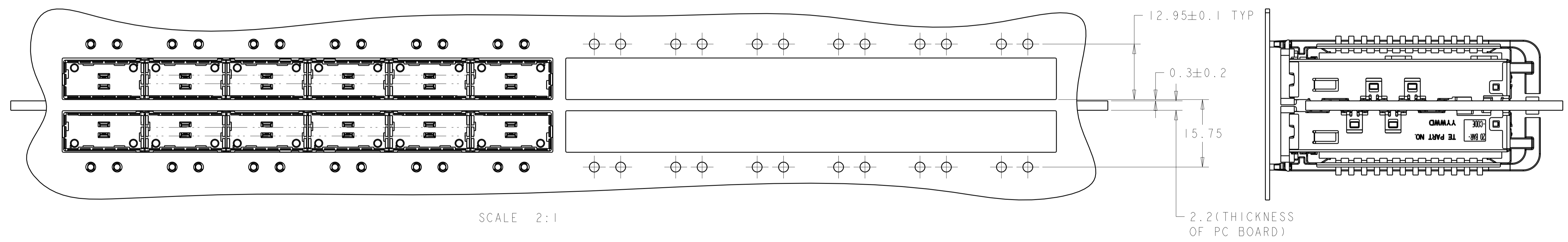
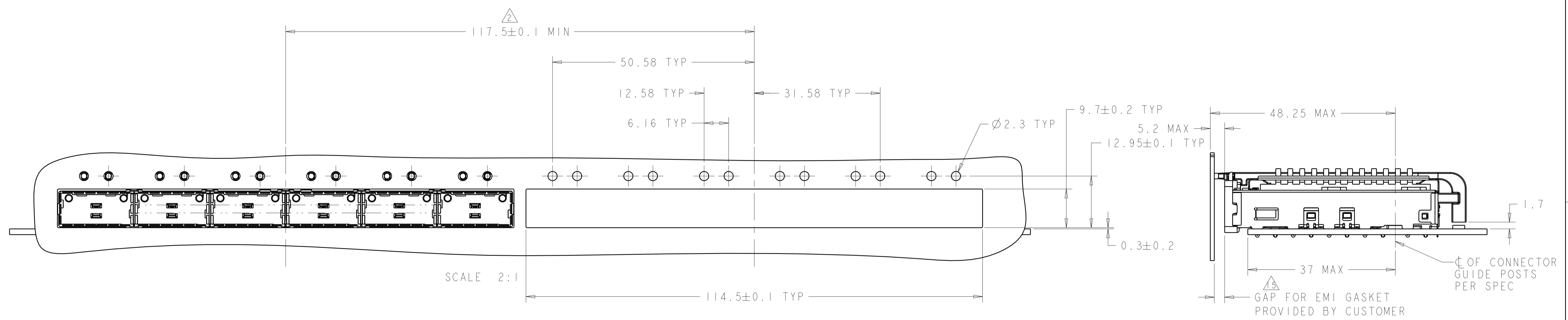
ONE SIDED CONFIGURATION WITH SQUARE LIGHT PIPES  
 SCALE 2:1



BELLY TO BELLY CONFIGURATION WITH SQUARE LIGHT PIPES  
 SIMILAR TO ONE SIDED EXCEPT WHERE NOTED  
 SCALE 2:1

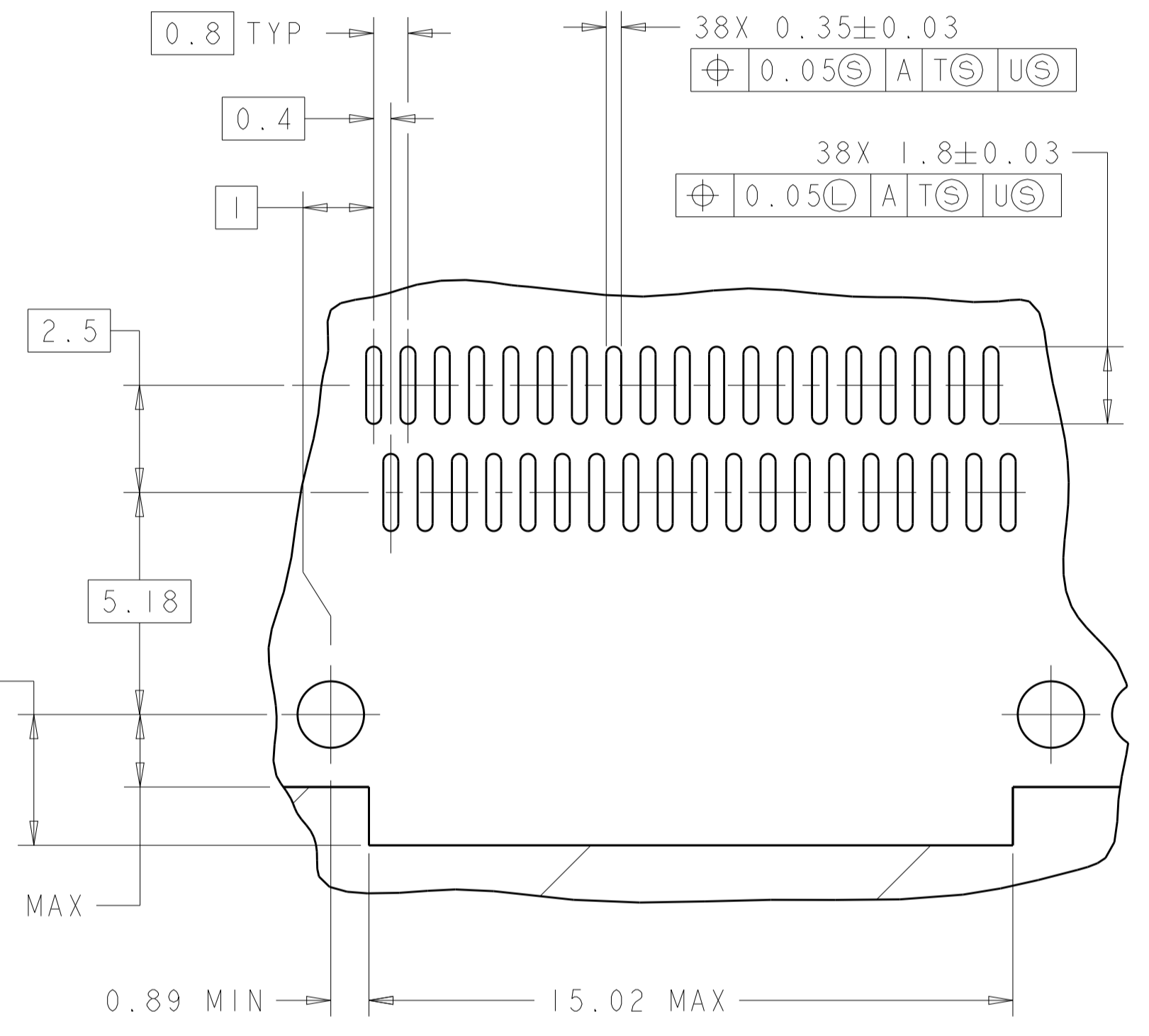
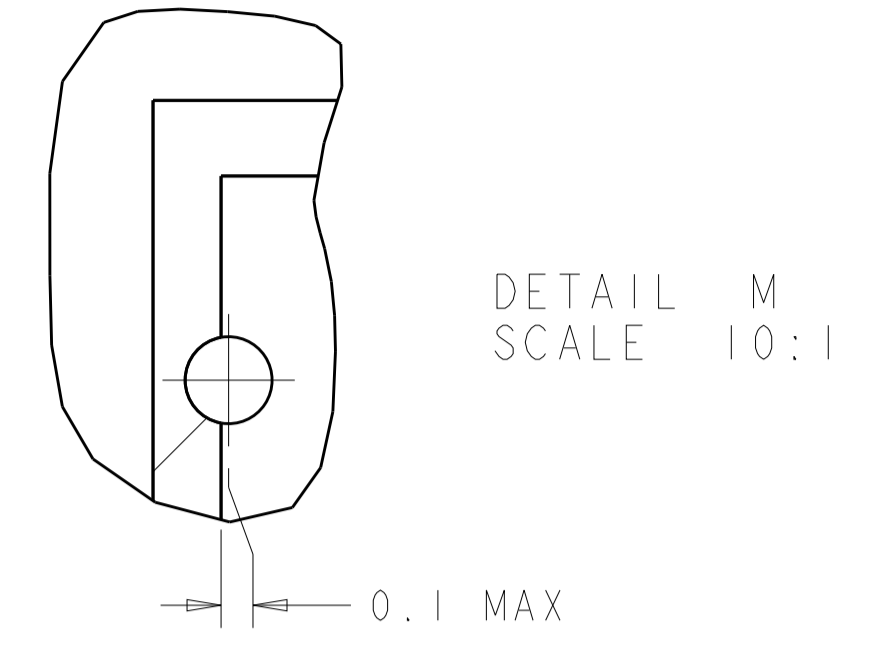
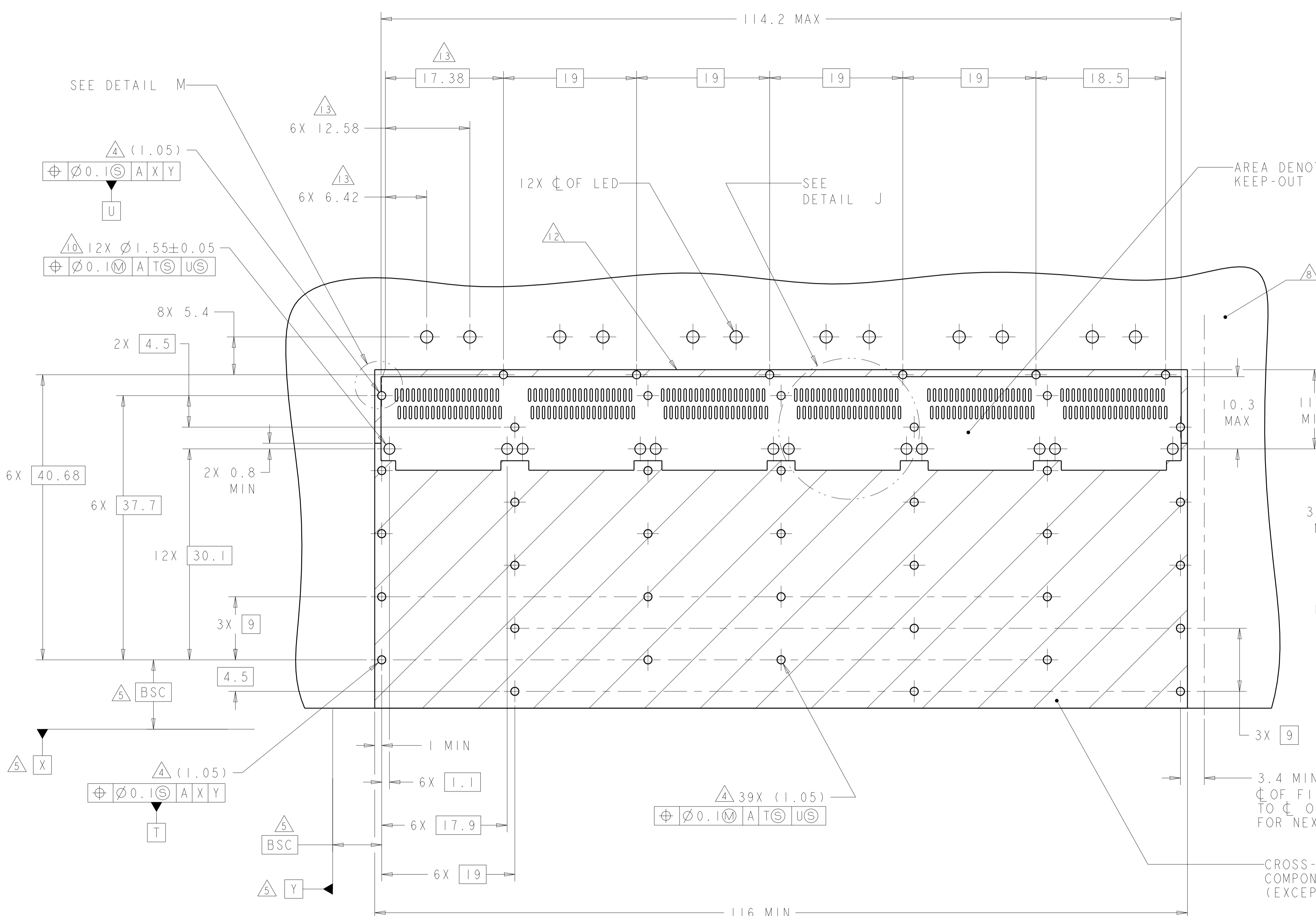
THIS DRAWING IS A CONTROLLED DOCUMENT.		OWN: C. VALENTINE 18MAR2010	TE Connectivity
DIMENSIONS: mm		CHK: J. PETERSON 18MAR2010	
TOLERANCES UNLESS OTHERWISE SPECIFIED:		APVD: J. PETERSON 18MAR2010	NAME: 1X6 CAGE ASSEMBLY, BEHIND BEZEL, W/ SQR LIGHT PIPES AND HEAT SINKS, QSFP
0 PLC ± 1 PLC ±0.1 2 PLC ±0.1 3 PLC ± 4 PLC ± ANGLES ± FINISH ±		PRODUCT SPEC: 108-2286	
MATERIAL:		APPLICATION SPEC: 114-13218	RESTRICTED TO:
		WEIGHT:	SIZE: A100779 C=2143331
		Customer Drawing	SCALE: 4:1 SHEET 3 OF 6 REV: B1

LOC	DIST	REVISIONS					
GP	00	P	LTN	DESCRIPTION	DATE	DMN	APVD
-	-	-	-	SEE SHEET 1	-	-	-



THIS DRAWING IS A CONTROLLED DOCUMENT.		DMN C. VALENTINE 18MAR2010	TE Connectivity NAME 1X6 CAGE ASSEMBLY, BEHIND BEZEL, W/ SOR LIGHT PIPES AND HEAT SINKS, QSFP
DIMENSIONS:		CHK J. PETERSON 18MAR2010	
mm	TOLERANCES UNLESS OTHERWISE SPECIFIED:	APVD J. PETERSON 18MAR2010	PRODUCT SPEC 108-2286
0 PLC ± 1 PLC ±0.1 2 PLC ±0.1 3 PLC ± 4 PLC ± ANGLES ±		APPLICATION SPEC 114-13218	SIZE A100779
MATERIAL	FINISH	WEIGHT	RESTRICTED TO
		Customer Drawing	SCALE 3:1 SHEET 4 OF 6 REV B1

LOC	DIST	REVISIONS			
GP	00	REV	DATE	BY	APPV
		1	SEE SHEET 1		

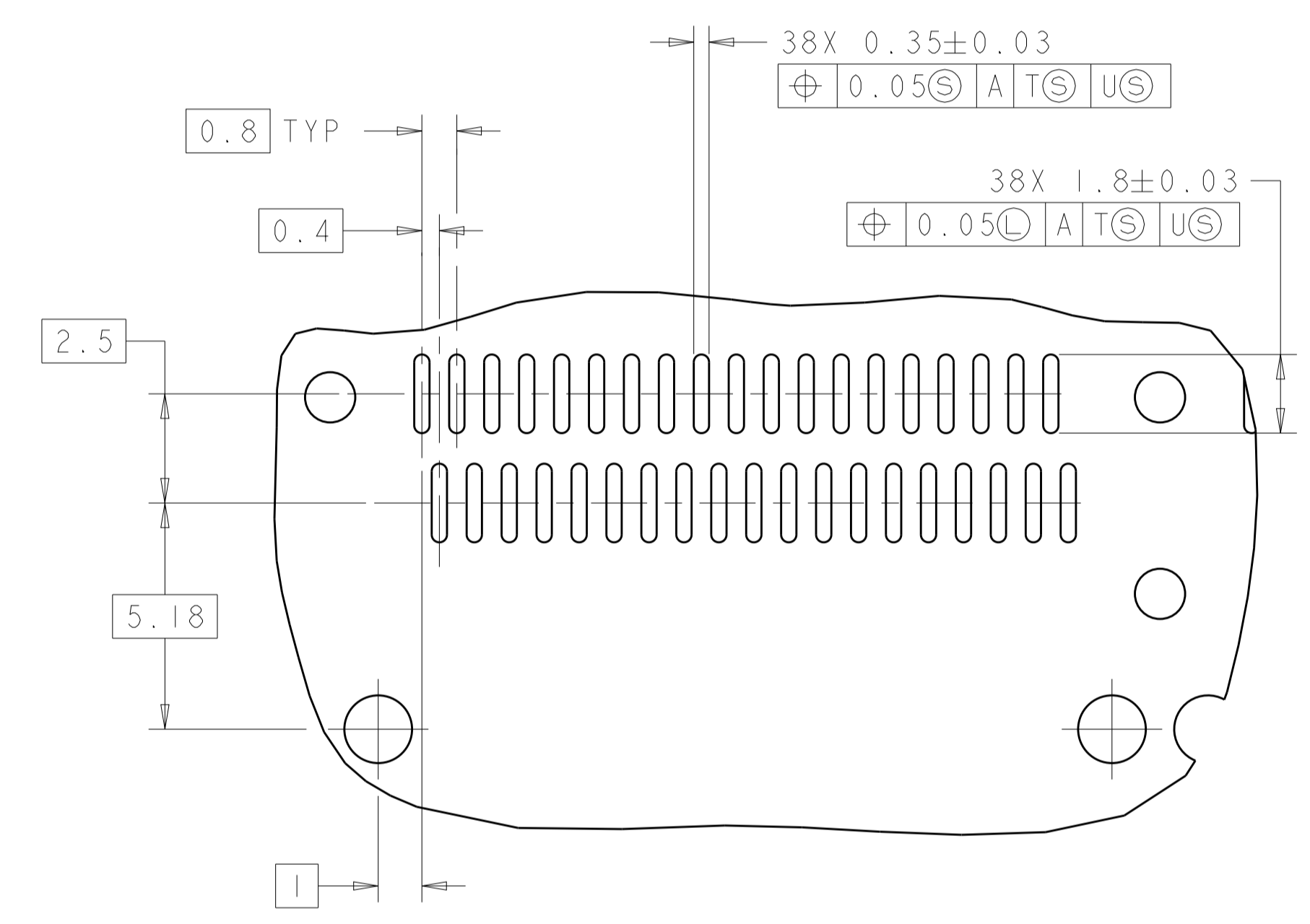
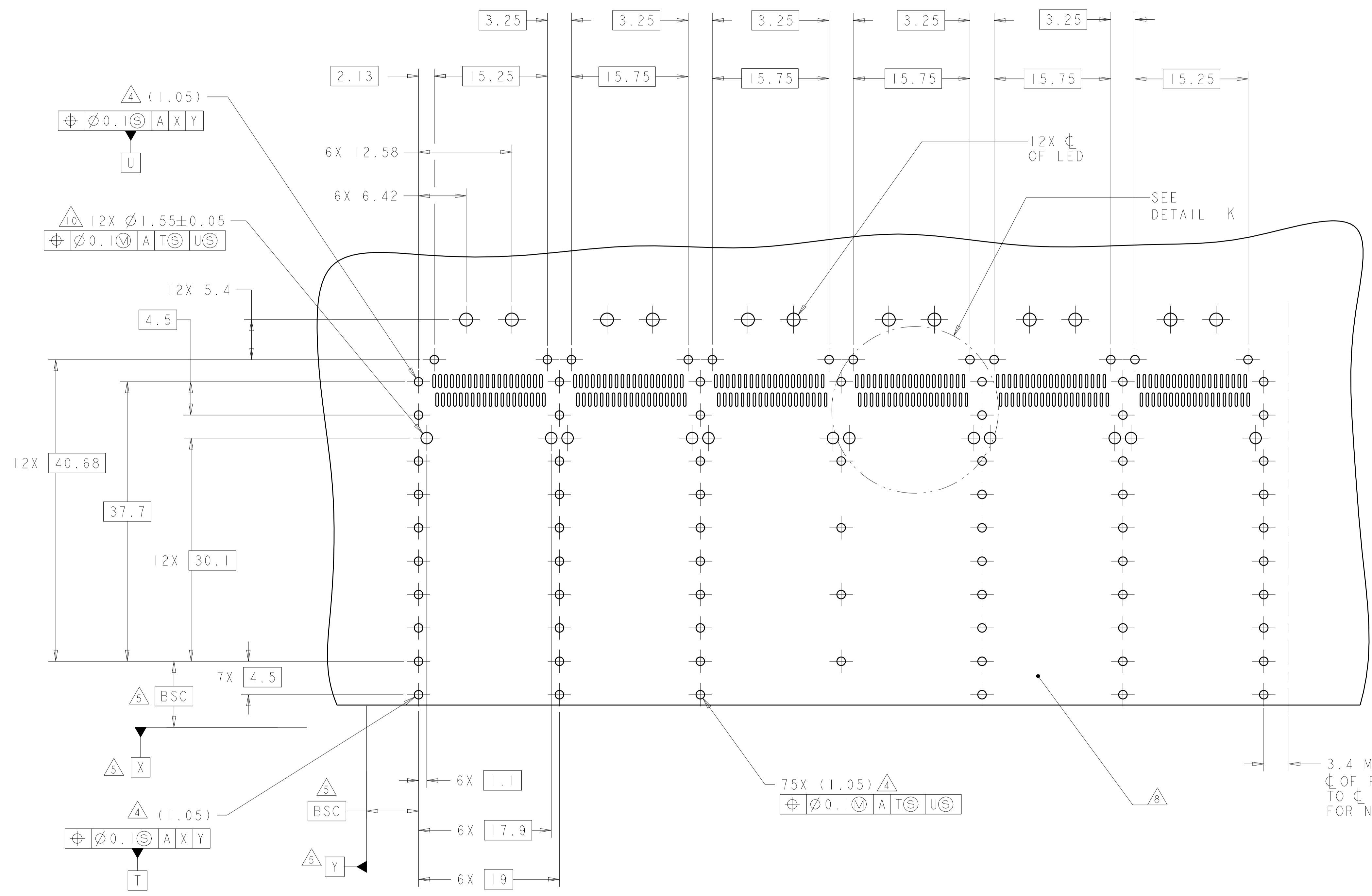


RECOMMENDED PC BOARD LAYOUT  
 SINGLE SIDE MOUNT CONFIGURATION  
 SCALE 3:1

CROSS-HATCHED AREA DENOTES  
 COMPONENT AND TRACE KEEP-OUT  
 (EXCEPT CHASSIS GROUND)

THIS DRAWING IS A CONTROLLED DOCUMENT.		OWN: C. VALENTINE 18MAR2010	TE Connectivity NAME: 1X6 CAGE ASSEMBLY, BEHIND BEZEL, W/ SOR LIGHT PIPES AND HEAT SINKS, QSFP
DIMENSIONS: mm		CHK: J. PETERSON 18MAR2010	
TOLERANCES UNLESS OTHERWISE SPECIFIED:		APVD: J. PETERSON 18MAR2010	PRODUCT SPEC: 108-2286
0 PLC ±	1 PLC ±0.1	APPLICATION SPEC: 114-13218	SIZE: A100779C=2143331
2 PLC ±0.1	3 PLC ±	WEIGHT: -	RESTRICTED TO: -
4 PLC ±	ANGLES ±	Customer Drawing	SCALE: 4:1 SHEET 5 OF 6 REV: B1

LOC	DIST	REVISIONS			
GP	00	REV	DATE	BY	APPV
-	-	SEE SHEET 1	-	-	-



DETAIL K  
 6 PLACES  
 SCALE 8:1

RECOMMENDED PC BOARD LAYOUT  
 BELLY TO BELLY CONFIGURATION  
 SEE SHEET 4 FOR COMPONENT AND TRACE KEEP-OUTS  
 SCALE 3:1

3.4 MIN  $\Delta$   
 CL OF FINAL ROW OF HOLES  
 TO CL OF FIRST ROW OF HOLES  
 FOR NEXT ADJACENT CAGE

THIS DRAWING IS A CONTROLLED DOCUMENT.		OWN: C. VALENTINE 18MAR2010	TE Connectivity
DIMENSIONS: mm		CHK: J. PETERSON 18MAR2010	
TOLERANCES UNLESS OTHERWISE SPECIFIED:		APVD: J. PETERSON 18MAR2010	NAME: 1X6 CAGE ASSEMBLY, BEHIND BEZEL, W/ SOR LIGHT PIPES AND HEAT SINKS, QSFP
0 PLC ±	1 PLC ±0.1	PRODUCT SPEC: 108-2286	SIZE: A100779C=2143331
2 PLC ±0.1	3 PLC ±	APPLICATION SPEC: 114-13218	RESTRICTED TO: -
4 PLC ±	ANGLES ±	WEIGHT: -	SCALE: 4:1 SHEET 6 OF 6 REV: B1
MATERIAL: -	FINISH: -	Customer Drawing	

单击下面可查看定价，库存，交付和生命周期等信息

[>>TE Connectivity\(泰科\)](#)