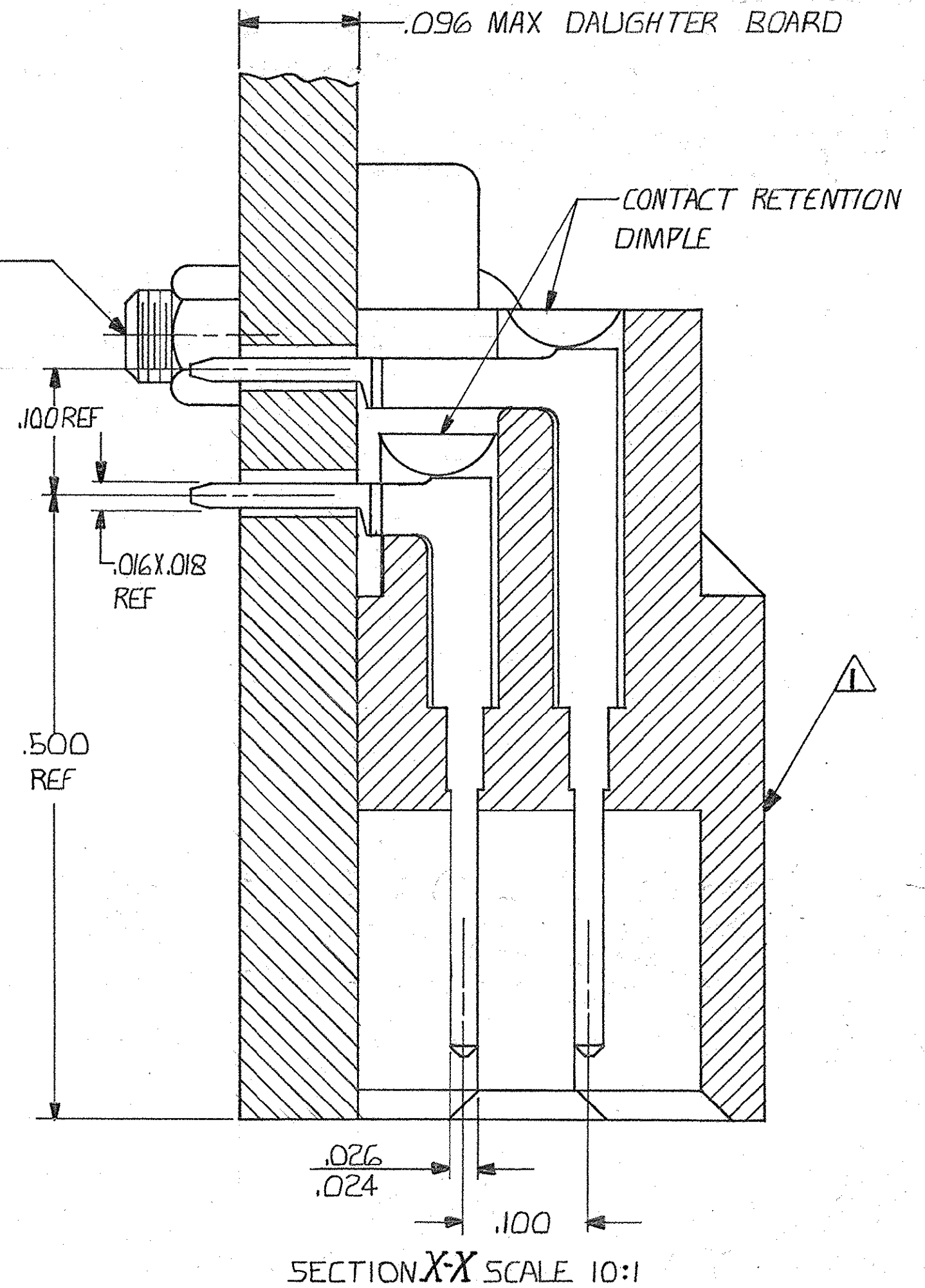
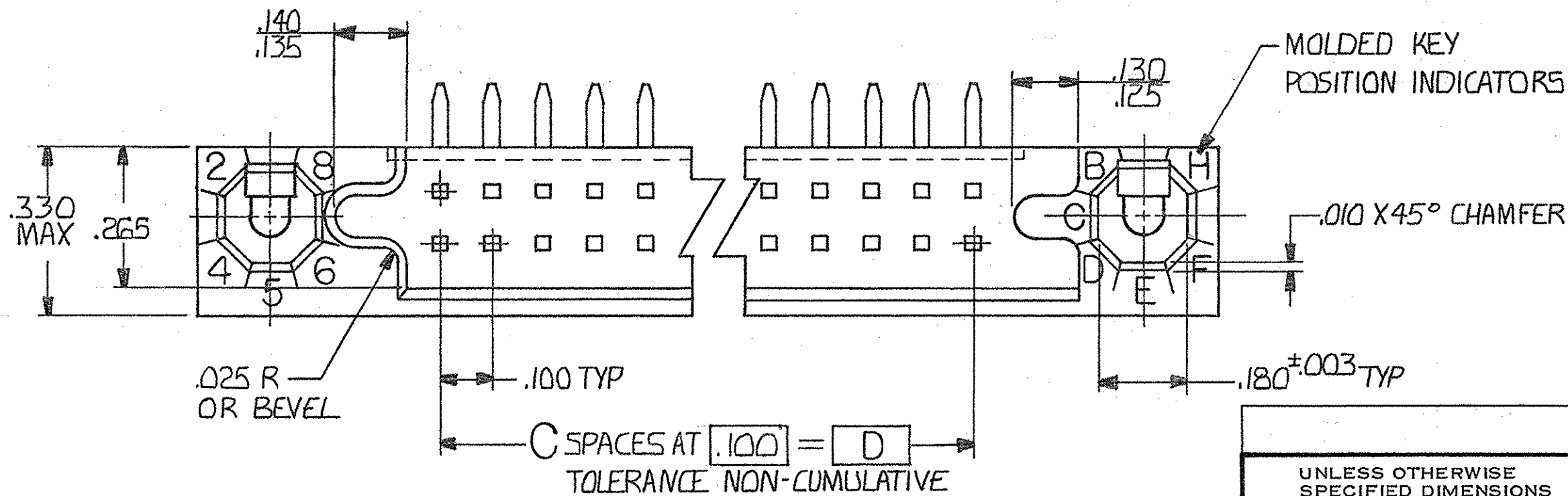
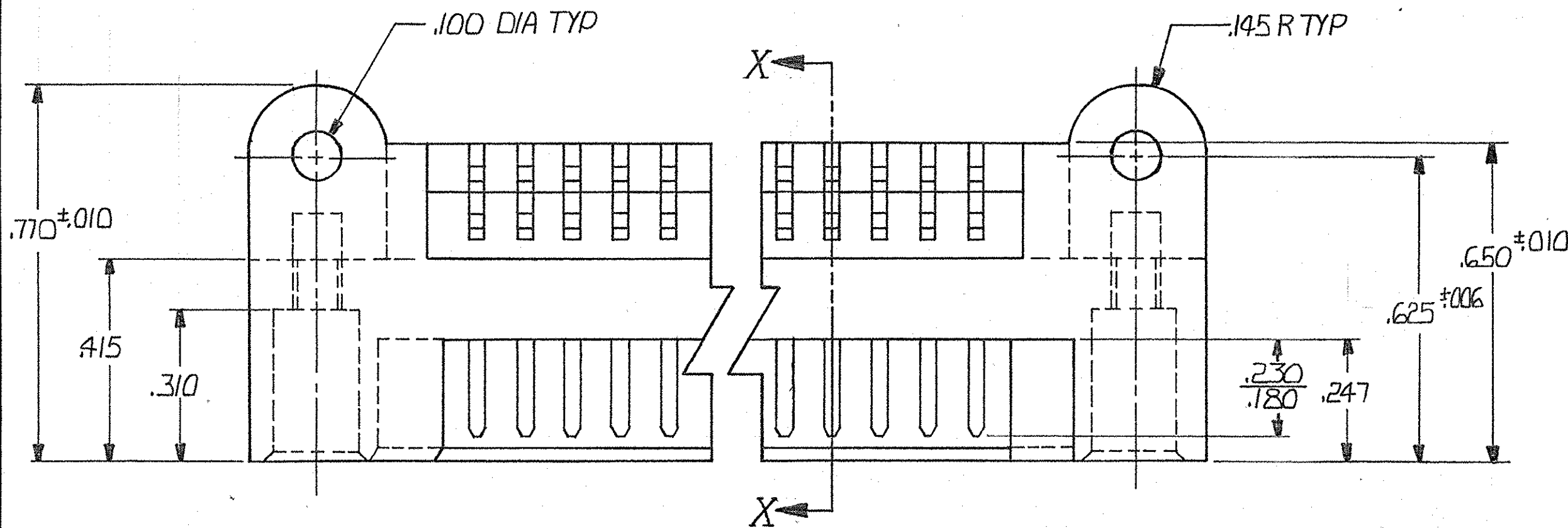
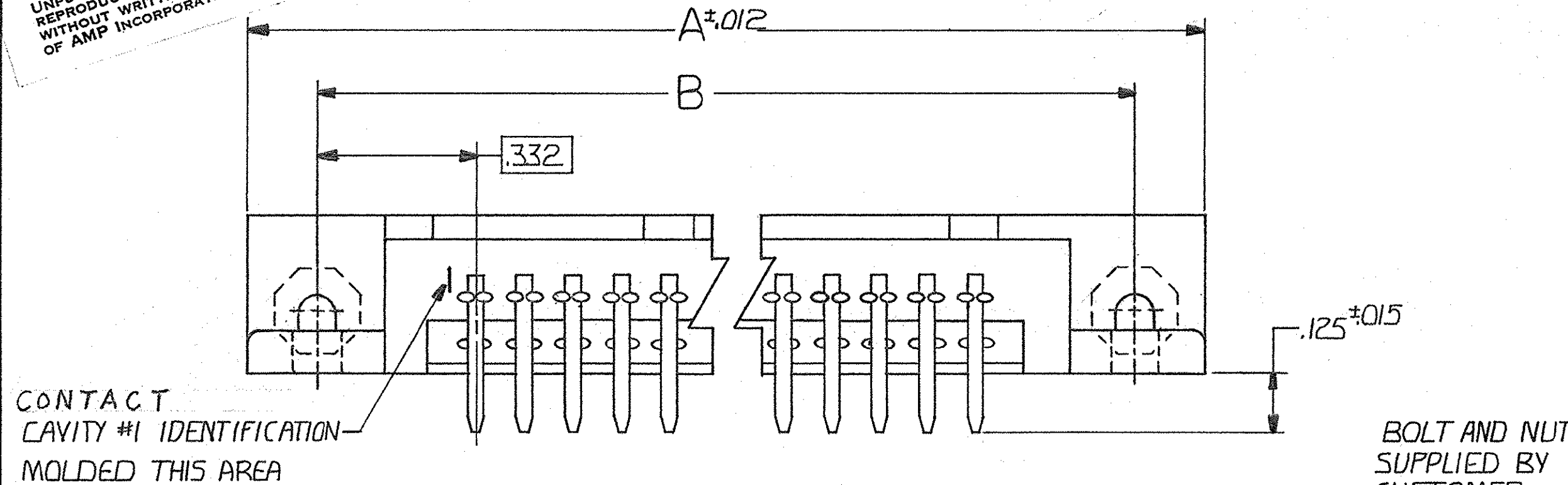


© COPYRIGHT 19 BY AMP INCORPORATED, HARRISBURG, PA.
ALL INTERNATIONAL RIGHTS RESERVED. AMP INCORPORATED PRODUCTS
COVERED BY U. S. PATENTS AND/OR PATENTS PENDING.

UNPUBLISHED COPY NOT TO BE
REPRODUCED NOR PUBLISHED
WITHOUT WRITTEN PERMISSION
OF AMP INCORPORATED.

REVISIONS						
P	F	ZONE	LTR	DESCRIPTION	DATE	APPROVED
			G	REV PER 0600-6467-97	10-98	DM
			H	REV PER 0H14-0208-05	1-06	PY
			J	OBSOLETE PER ECO 10-002922 CT	5-10	DM



530942

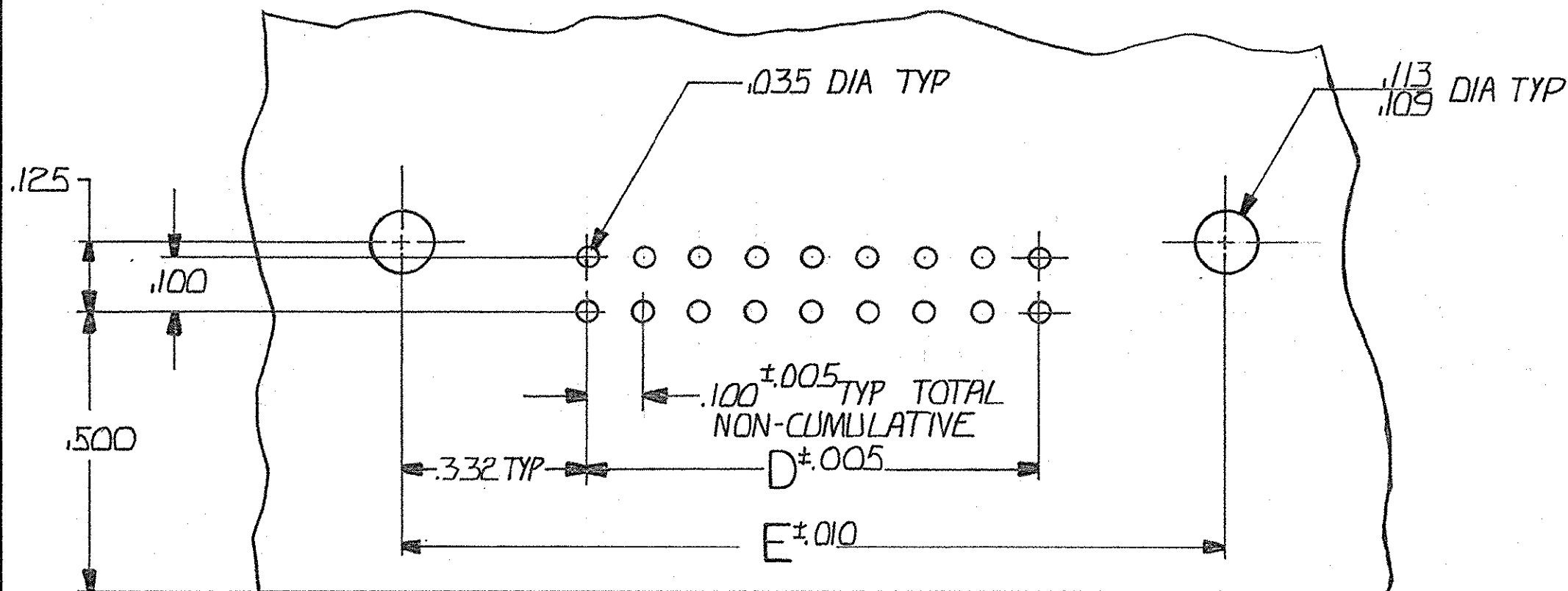
OBSOLETE

UNLESS OTHERWISE SPECIFIED DIMENSIONS ARE IN INCHES. TOLERANCES ON: DECIMALS ±.010 ANGLES ±		CONTRACT NO		PART NO	
MATERIAL		DR. Robert Weber 8-8-77		AMP INCORPORATED Harrisburg, Pa.	
FINISH		CHK		NAME PIN ASSY, RIGHT ANGLE, 100I SERIES, BOX CONNECTOR	
		APPD R. Williams 9-19-77		SIZE CODE IDENT NO DRAWING NO	
		APPD K. Shuman 9-19-77		C 00779 530942	
		DSGN APPD		REV J	
		OTHER APPD		SCALE 4:1 SHEET 1 OF 2	

© COPYRIGHT 19 BY AMP INCORPORATED, HARRISBURG, PA.
ALL INTERNATIONAL RIGHTS RESERVED. AMP INCORPORATED PRODUCTS
COVERED BY U. S. AND FOREIGN PATENTS AND/OR PATENTS PENDING.

UNPUBLISHED COPY NOT TO BE
REPRODUCED NOR PUBLISHED
WITHOUT WRITTEN PERMISSION
OF AMP INCORPORATED.

REVISIONS					
P	F	ZONE	DESCRIPTION	DATE	APPROVED
			H SEE SHEET 1		



RECOMMENDED PC BOARD LAYOUT

- ① AMP PART NUMBER AND DATE CODE INK STAMPED WHITE THIS AREA.
- ② HOUSING MATERIAL: GLASS FILLED POLYESTER, COLOR-BLUE.
- ③ CONTACT MATERIAL: BRASS, .000030 GOLD OVER NICKEL IN CONTACT AREA, TIN-LEAD OVER NICKEL ON SOLDER TAILS
- ④ CONTACT MATERIAL: BRASS, .000030 GOLD OVER NICKEL IN CONTACT AREA, TIN OVER NICKEL ON SOLDER TAILS.

OBSOLETE

④	7.265	6.600	66	7.265	7.655	134	6-530942-2
④	5.565	4.900	49	5.565	5.855	100	5-530942-8
④	4.065	3.400	34	4.065	4.355	70	5-530942-5
④	3.565	2.900	29	3.565	3.855	60	5-530942-4
③ OBSOLETE	7.565	6.900	69	7.565	7.855	140	1-530942-3
③	7.265	6.600	66	7.265	7.655	134	1- -2
③ OBSOLETE	7.065	6.400	64	7.065	7.355	130	1- -1
③ OBSOLETE	6.565	5.900	59	6.565	6.855	120	1- -0
③	6.065	5.400	54	6.065	6.355	110	-9
③	5.565	4.900	49	5.565	5.855	100	-8
③	5.065	4.400	44	5.065	5.355	90	-7
③ OBSOLETE	4.565	3.900	39	4.565	4.855	80	-6
③	4.065	3.400	34	4.065	4.355	70	-5
③	3.565	2.900	29	3.565	3.855	60	-4
③	3.065	2.400	24	3.065	3.355	50	-3
③	2.565	1.900	19	2.565	2.855	40	-2
③ OBSOLETE	2.065	1.400	14	2.065	2.355	30	530942-1

		E	D	C	B	A	NO OF POSITIONS	PART NO
UNLESS OTHERWISE SPECIFIED DIMENSIONS ARE IN INCHES. TOLERANCES ON: DECIMALS ±.010 ANGLES ±.010		CONTRACT NO		AMP INCORPORATED Harrisburg, Pa.				
MATERIAL		DR Robert Weber 8-9-77		NAME PIN ASSY, RIGHT ANGLE, 1001 SERIES, BOX CONNECTOR				
FINISH		CHK		APPD R. Williams 9-19-77		SIZE CODE IDENT NO DRAWING NO		
		APPD R. Shivan 9-19-77		C 00779		530942		REV J
		DSGN APPD		SCALE 4:1		SHEET 2		
		OTHER APPD						

单击下面可查看定价，库存，交付和生命周期等信息

[>>TE Connectivity\(泰科\)](#)