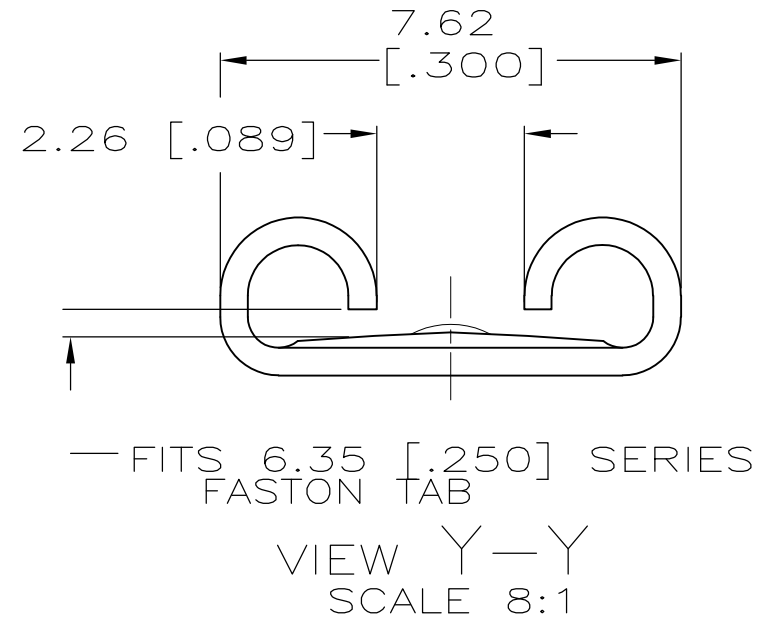
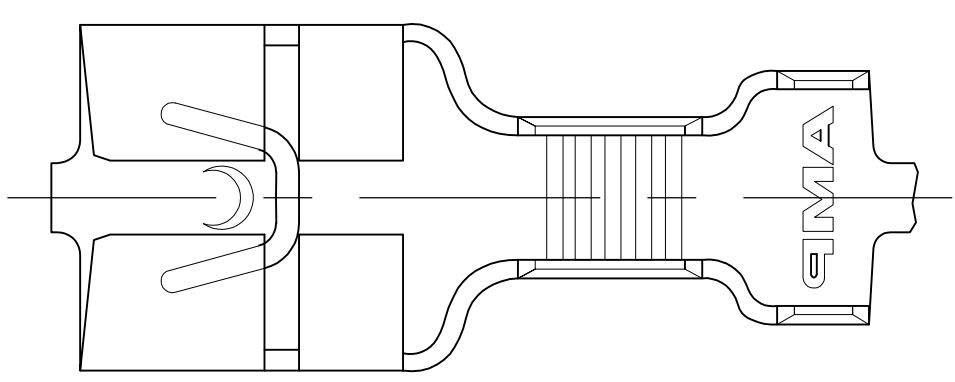
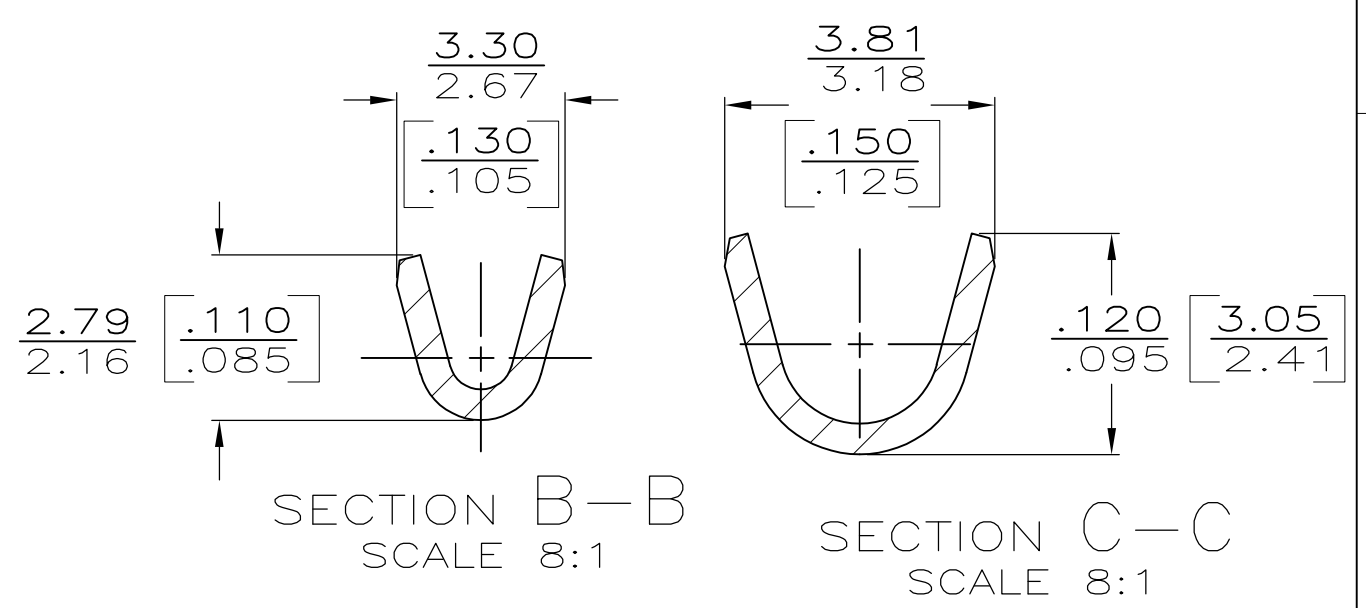
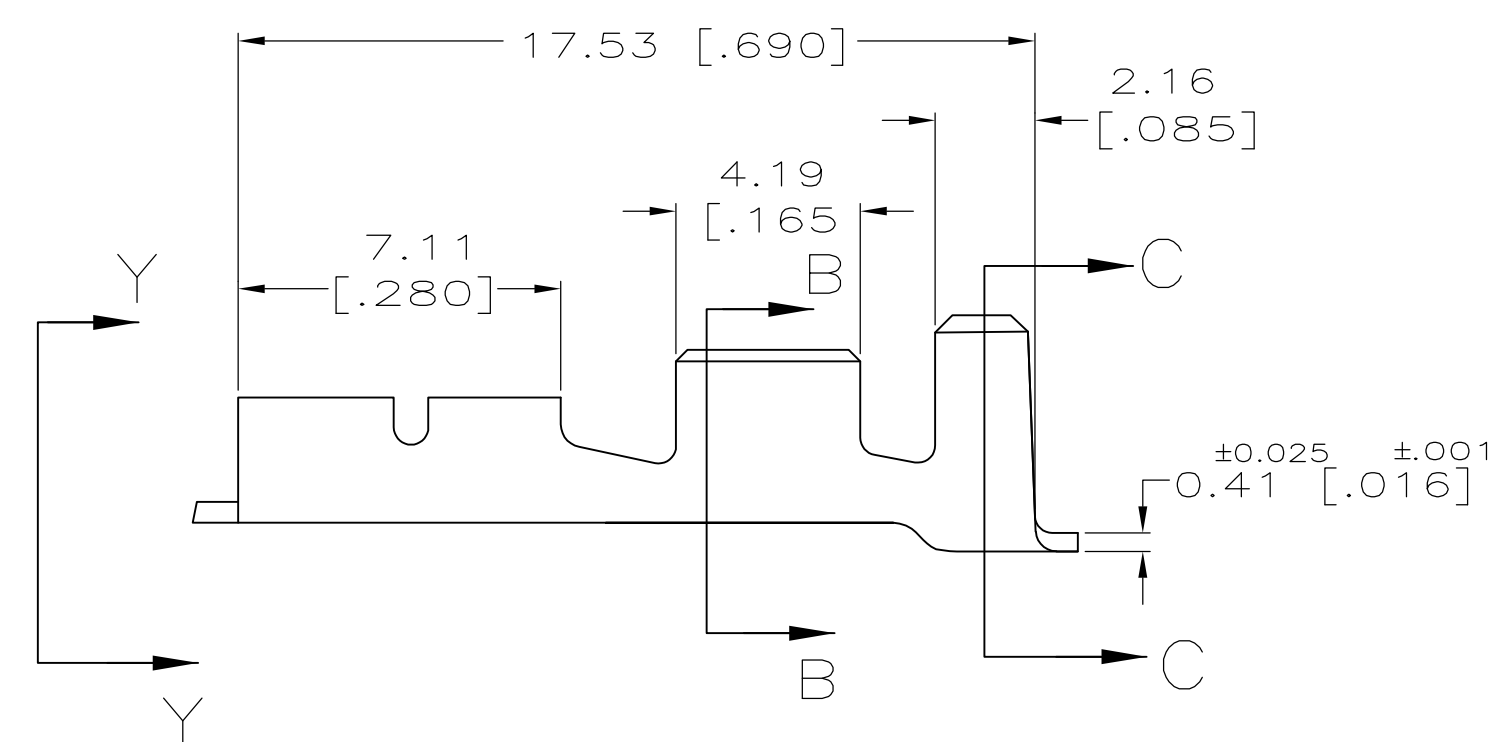


THIS DRAWING IS UNPUBLISHED. RELEASED FOR PUBLICATION  
 © COPYRIGHT - By TYCO ELECTRONICS CORPORATION. ALL RIGHTS RESERVED.

| LOC | DIST | REVISIONS |     |                          |           |     |      |
|-----|------|-----------|-----|--------------------------|-----------|-----|------|
| AF  | 50   | P         | LTR | DESCRIPTION              | DATE      | DWN | APVD |
|     |      | D         |     | REVISE PER ECR-13-013738 | 15FEB2014 | GRZ | JL   |



- CONTINUOUS STRIP ON REELS
- MATING TAB THK TO BE 0.51±0.025 [.020±.001].
- WIRE SIZE IS #24-#19 MAGNET WIRE.
- INSULATION RANGE IS 1.27-2.03 [.050-.080] DIA.



|                            |             |
|----------------------------|-------------|
| 0.002032 [.000080] MIN TIN | 63623-2     |
| -                          | 63623-1     |
| FINISH                     | PART NUMBER |

|                    |             |                   |             |              |                         |
|--------------------|-------------|-------------------|-------------|--------------|-------------------------|
| F                  | 2.79 [.110] | F                 | 2.29 [.090] | 1.19 [.047]  | 0.6mm <sup>2</sup> [19] |
|                    |             |                   |             | 1.14 [.045]  | 0.5mm <sup>2</sup> [20] |
|                    |             |                   |             | 1.07 [.042]  | 0.3mm <sup>2</sup> [22] |
|                    |             |                   |             | 1.04 [.041]  | 0.2mm <sup>2</sup> [24] |
| TYPE               | WIDTH       | TYPE              | WIDTH       | ±.002 HEIGHT | WIRE                    |
| INSUL BARREL CRIMP |             | WIRE BARREL CRIMP |             |              |                         |

THIS DRAWING IS A CONTROLLED DOCUMENT.

DIMENSIONS: INCHES

TOLERANCES UNLESS OTHERWISE SPECIFIED:

|              |               |
|--------------|---------------|
| 0 PLC        | ± -           |
| 1 PLC        | ± -           |
| 2 PLC        | ± -           |
| 3 PLC        | ± 0.25 [.010] |
| 4 PLC ANGLES | ± -           |

MATERIAL: H04 BRASS

FINISH: SEE TABLE

DWN: JR RUTH 8/23/91

CHK: MS FEHER 8/23/91

APVD: C MEYERS 8/23/91

PRODUCT SPEC: R KUZO 8/23/91

APPLICATION SPEC: -

WEIGHT: -

CUSTOMER DRAWING

**STE** TE Connectivity

NAME: RECEPTACLE, FASTON, L.I.F., AMPLIVAR, 6.35 [.250] SERIES

SIZE: A3 CAGE CODE: 00779 DRAWING NO: C-63623 RESTRICTED TO: -

SCALE: 6:1 SHEET: 1 OF 1 REV: D

单击下面可查看定价，库存，交付和生命周期等信息

[>>TE Connectivity\(泰科\)](#)