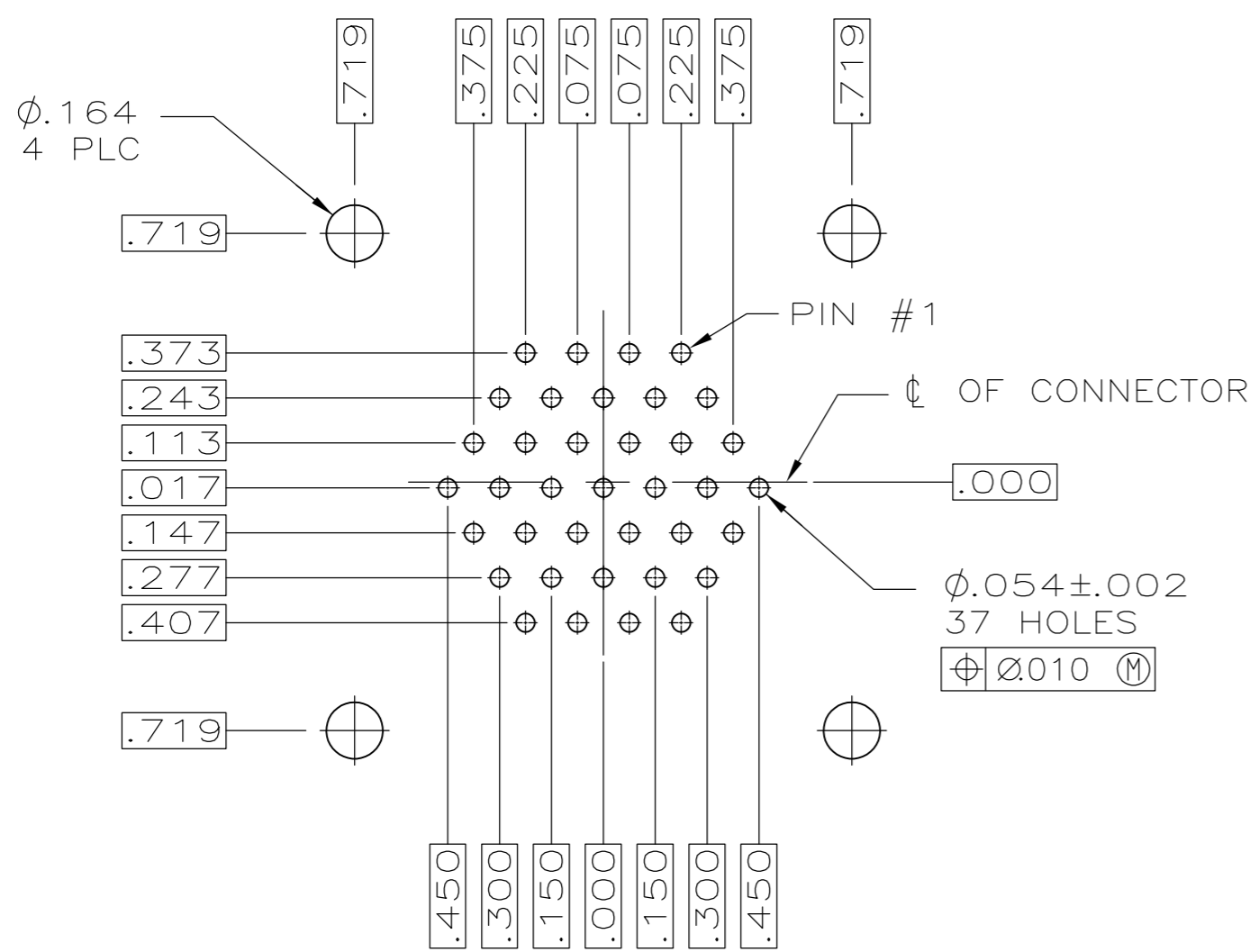
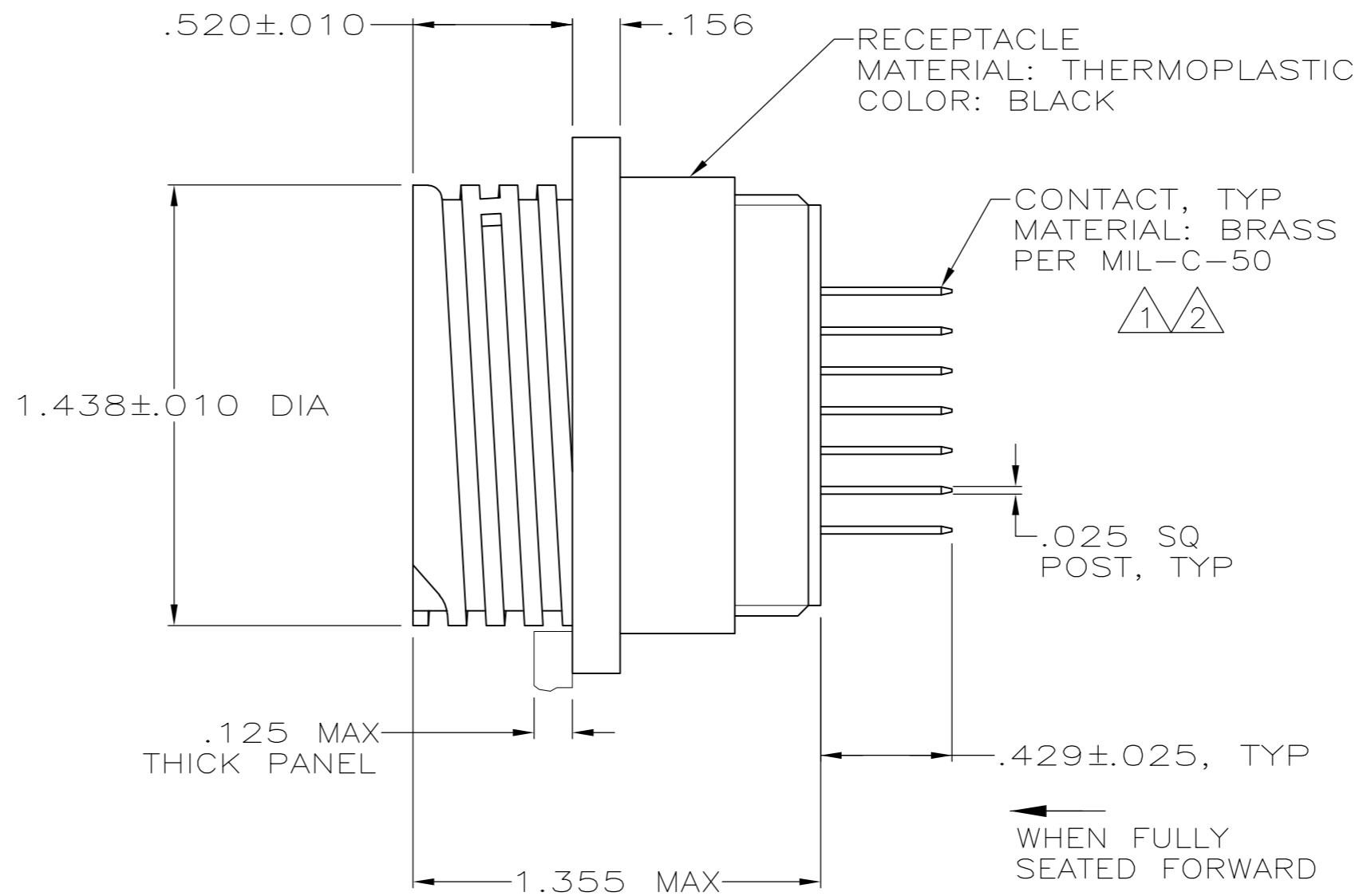
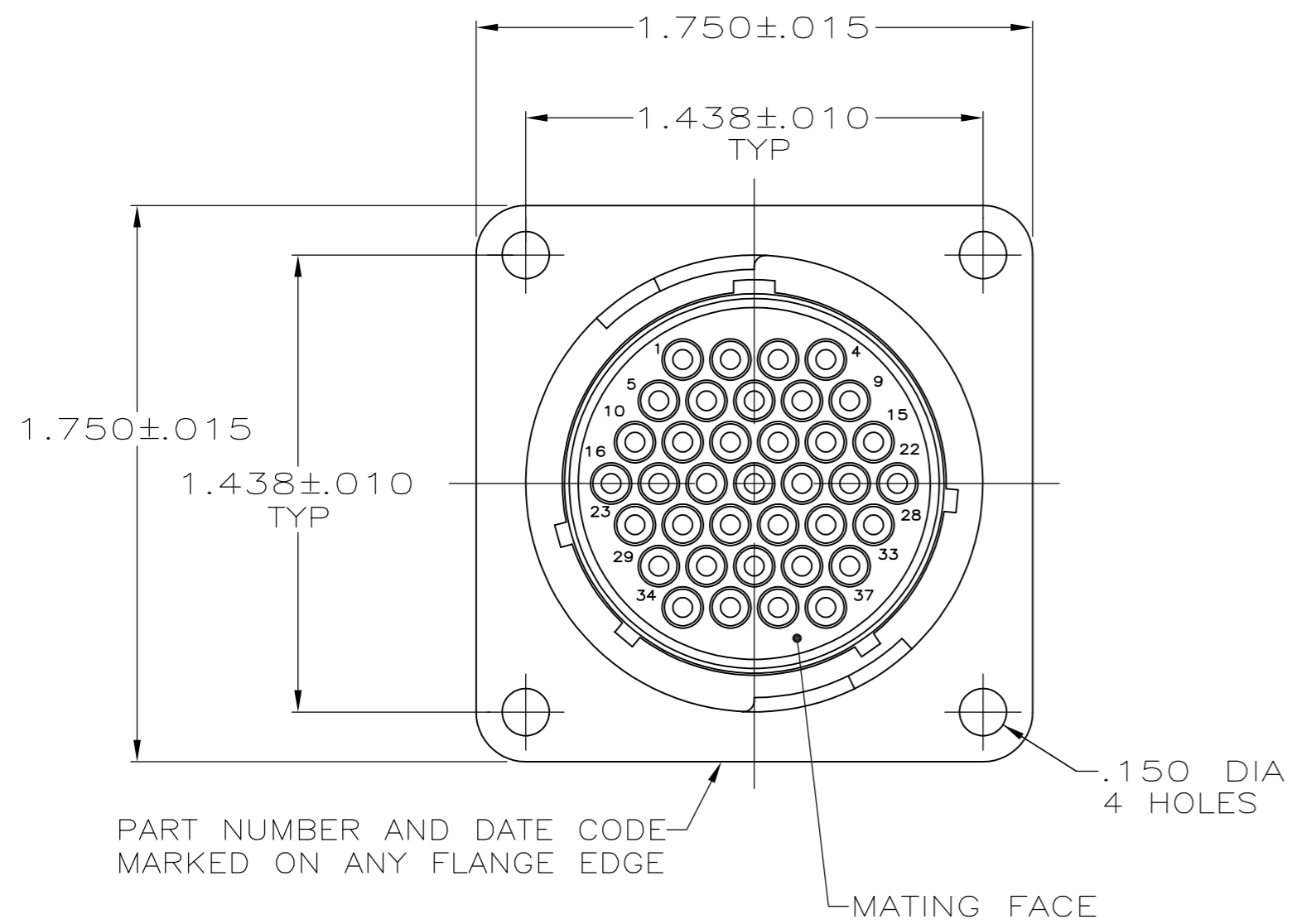


THIS DRAWING IS UNPUBLISHED. RELEASED FOR PUBLICATION  
 © COPYRIGHT - By - ALL RIGHTS RESERVED.

REVISIONS				
P	LTR	DESCRIPTION	DATE	APVD
D1		REVISED PER ECO-16-004800	08SEP2016	NK MZ



RECOMMENDED P.C. BOARD LAYOUT

- 1 CONTACTS, TYPE III+ PIN, PART NUMBER 66460-2.
- 2 CONTACTS, TYPE III+ PIN, PART NUMBER 6-66460-7.
- 3 CONTACTS TIN-LEAD PLATED PER MIL-T-10727.
- 4 CONTACTS TIN PLATED.

OBSOLETE	4	208132-2
	3	208132-1
	POST FINISH	PART NUMBER

THIS DRAWING IS A CONTROLLED DOCUMENT.		DWN 5-30-91 J GALLUCCI BG	TE Connectivity	
DIMENSIONS: INCHES		CHK 4-14-92 W.G.LENKER	RECEPTACLE ASSEMBLY, POSTED, STD SEX, SERIES 1, 23-37, CPC	
TOLERANCES UNLESS OTHERWISE SPECIFIED:		APVD -	NAME	
0 PLC ± -		PRODUCT SPEC	108-10024	
1 PLC ± -		APPLICATION SPEC	-	
2 PLC ± -		SIZE	CAGE CODE	DRAWING NO
3 PLC ± .005		A2	00779	C=208132
4 PLC ± -		WEIGHT	SCALE	SHEET
ANGLES ± -		CUSTOMER DRAWING	2:1	1 of 1
FINISH -		REV	D1	

单击下面可查看定价，库存，交付和生命周期等信息

[>>TE Connectivity\(泰科\)](#)