

THIS DRAWING IS UNPUBLISHED.

RELEASED FOR PUBLICATION

20

© COPYRIGHT 20

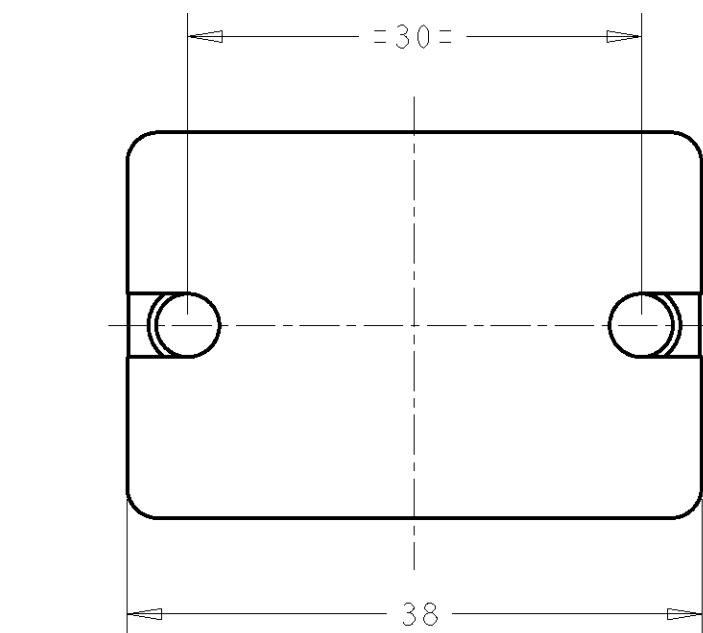
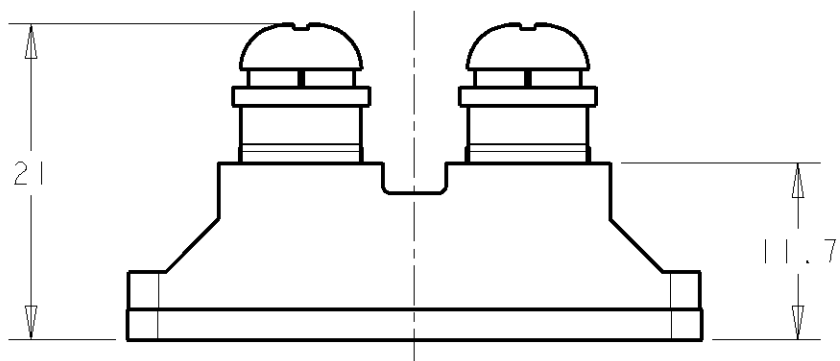
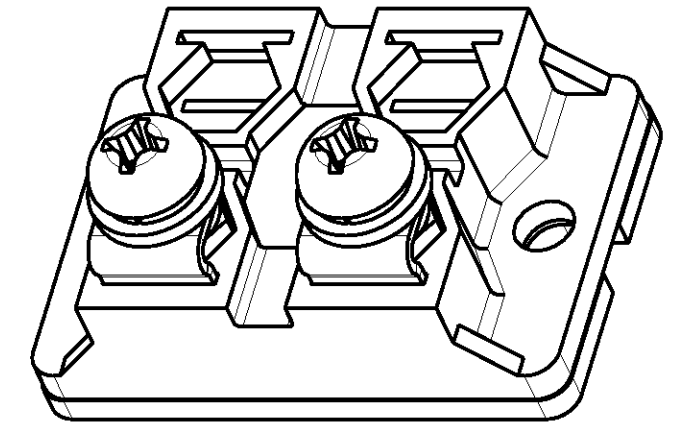
BY -

ALL RIGHTS RESERVED.

LOC	DIST	REVISIONS			
P	LTR	DESCRIPTION	DATE	DWN	APVD
-	-	B1	REVISED PER ECO-11-005150	28MAR11	RK HMR



TYPE	POWER RATING AT 60°C	RESISTANCE	TOLERANCE
BDS 2A	100 Watts	1R to 1MΩ	K = ±10% J = ±5%



LIMITING ELEMENT VOLTAGE: 500V dc/ac rms (100W or less)  
 ISOLATION VOLTAGE (TERMINAL TO HEATSINK): 2.5kV  
 SINGLE SHOT (1,5/50ms): 4kV  
 MAXIMUM RATED POWER (HEATSINK TEMP @ 60°C): 100W  
 SHORT TERM OVERLOAD: 3 x RATED POWER, 10 sec's  
 PARTIAL DISCHARGE: <20pC/2kV



RoHS COMPLIANT

DIMENSIONS: mm 		TOLERANCES UNLESS OTHERWISE SPECIFIED: 0 PLC ±0.5 1 PLC ±0.2 2 PLC ±0.02 3 PLC ±0.005 4 PLC ±0.0005 ANGLES ±0.5		DWN T MOORE 15MAR2005 CHK J CATCHPOLE 5MAR2005 APVD J CATCHPOLE 5MAR2005 PRODUCT SPEC - APPLICATION SPEC - WEIGHT 35g		TE Connectivity NAME BDS2A100 SIZE A3 CAGE CODE 00779 C=1614782 DRAWING NO - RESTRICTED TO -	
MATERIAL -		FINISH -		CUSTOMER DRAWING		SCALE 2:1 SHEET 1 OF 1 REV B1	

单击下面可查看定价，库存，交付和生命周期等信息

[>>TE Connectivity\(泰科\)](#)