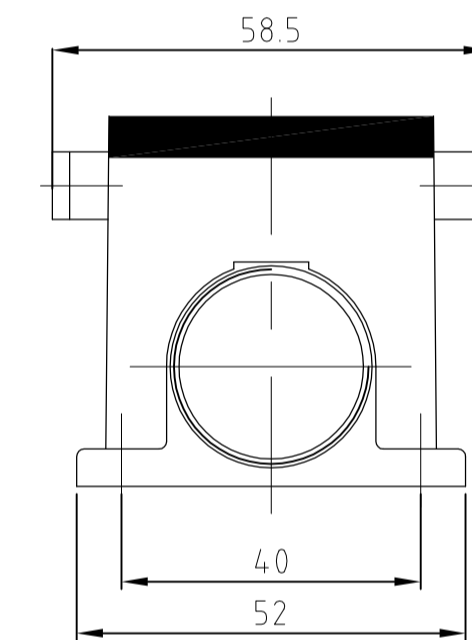
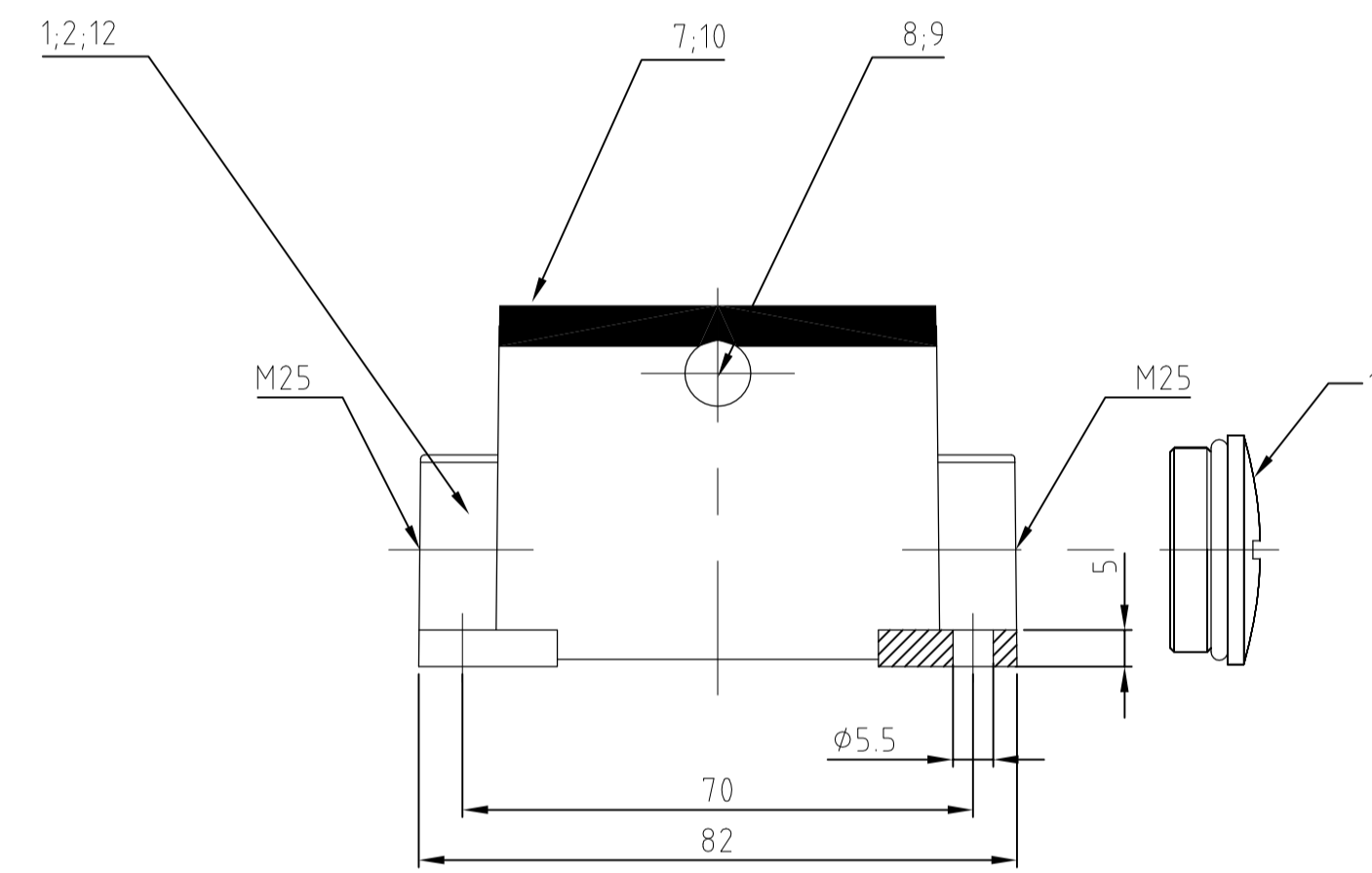
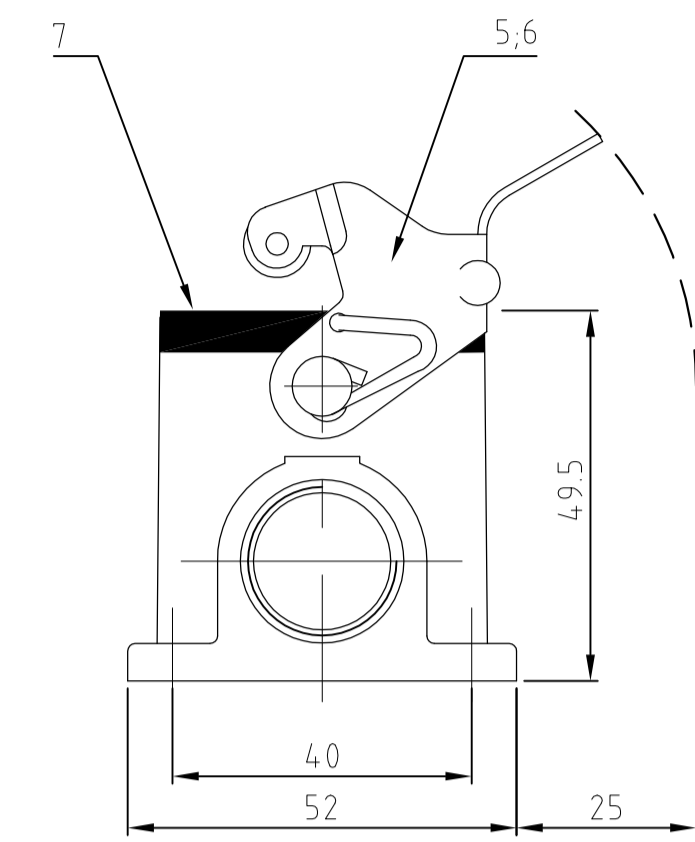
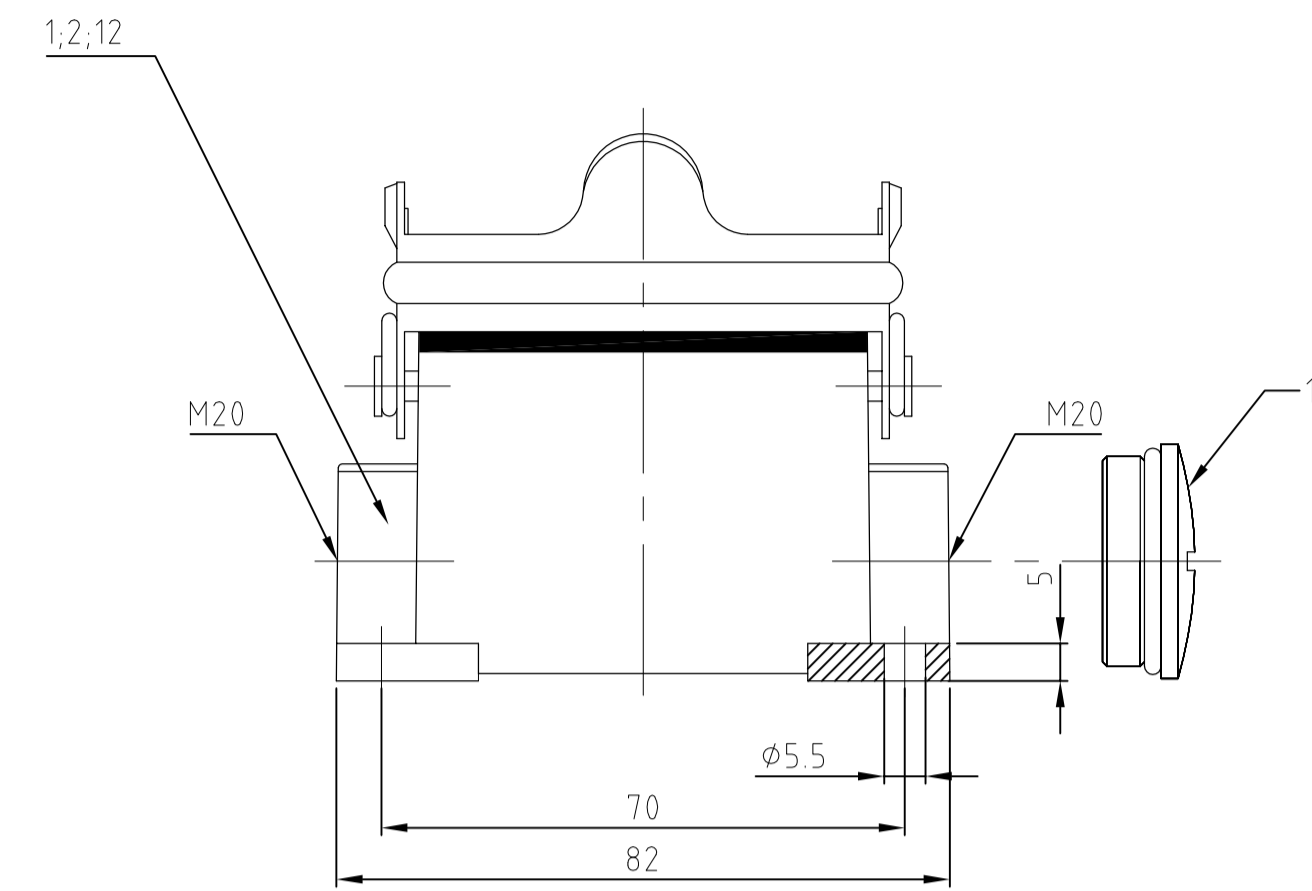
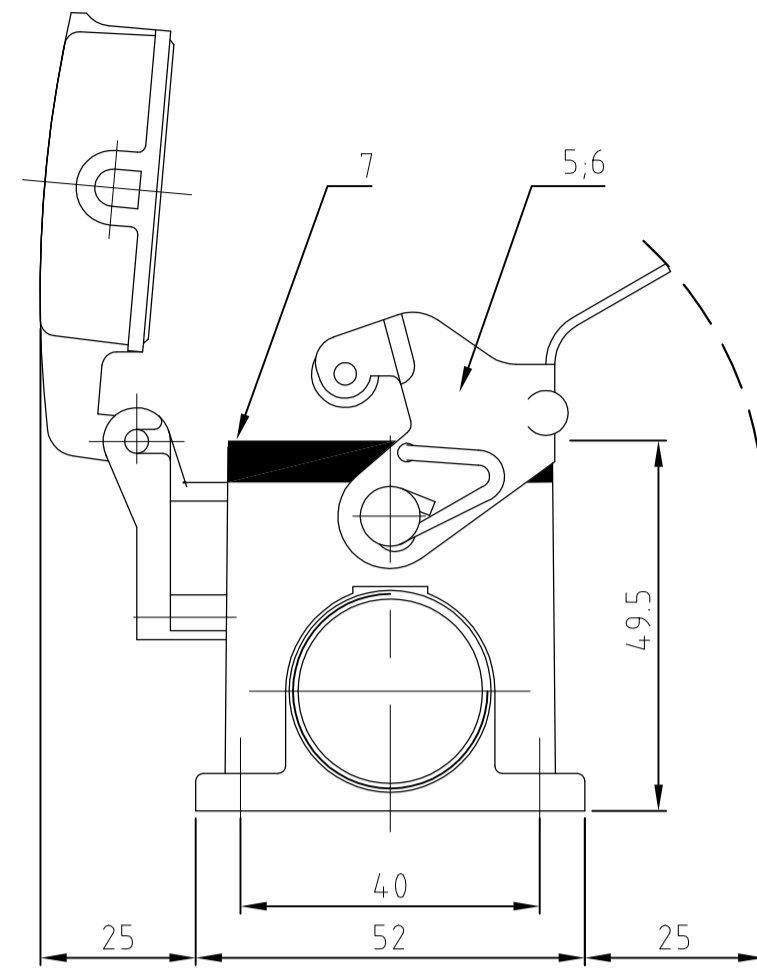
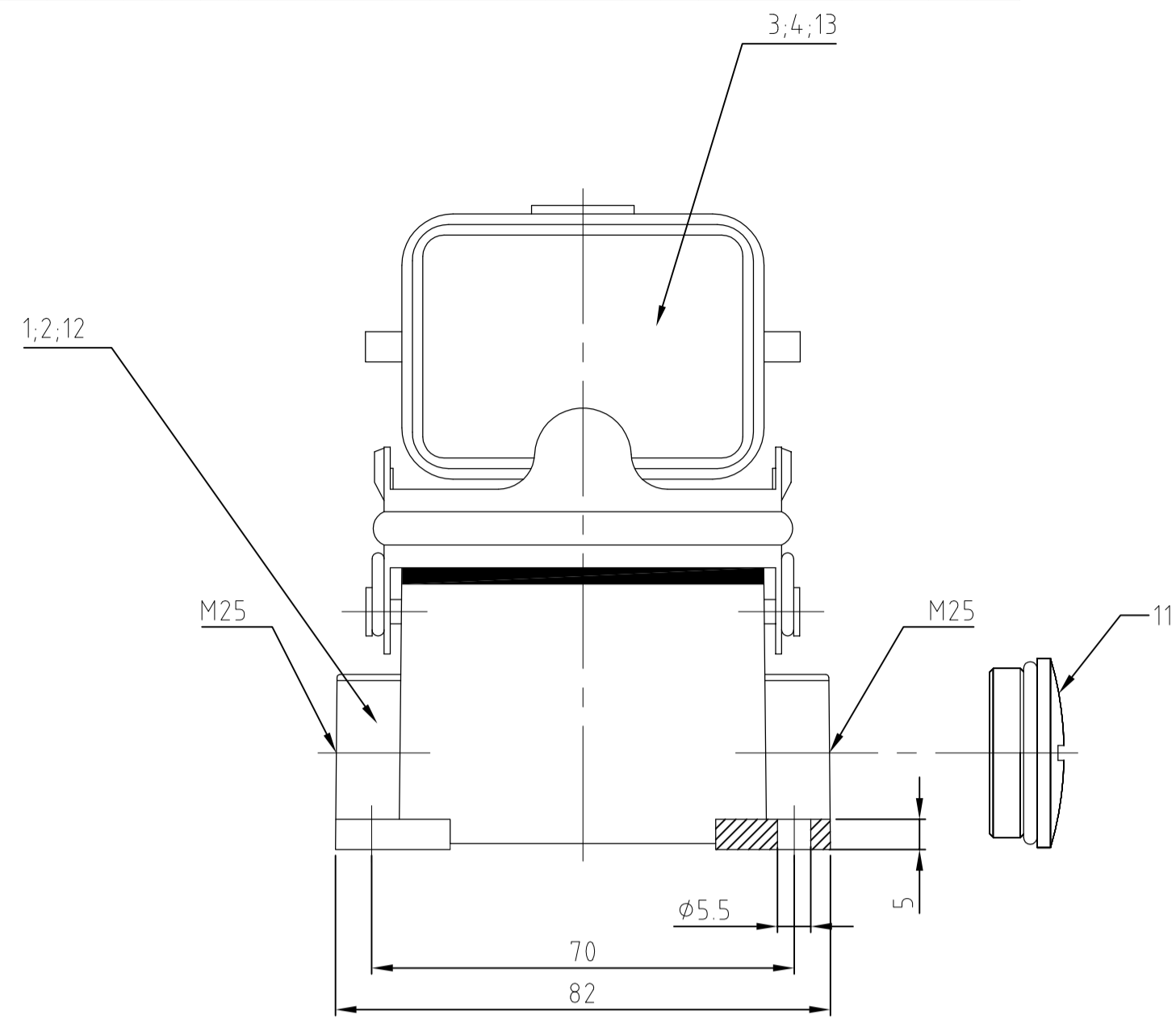


REVISIONS				
NO.	DATE	DESCRIPTION	BY	APP'D
A5	28AUG2017	REVISED PER ECR-16-016780	NG	MKO



Notes:

- 1 Material: Housing: aluminium diecasting alloy
Seals: Neoprene
- 2 Surface: Varnish- aluminium oxid+
Varnish black
- grey
- 3 Varnish on the inside not necessarily
- 4 Special packaging

Bemerkungen:

- 1 Material: Gehäuse: Alu-Druckguß-Legierung
Dichtung: Neoprene
- 2 Oberfläche: Lackierung - Aluminiumoxid+
Lackierung schwarz
- grau
- 3 Lackierung im Gehäuseinnere ist nicht notwendig
- 4 Sonderverpackung

QTY	DESCRIPTION / BENENNUNG	MATERIAL	SURFACE / OBERFLÄCHE	COLOR / FARBE	ITEM NO. POS.	REMARKS / BEMERKUNGEN
1	Deckel HB/cover	aluminium/ALU		grau/grey	13	ohne Logo
1	Socketgehäuse HB surface mounted housing side entry	aluminium/ALU		grau/grey	12	ohne Logo
1	Blanking Piece with Seal	Stahl/steel		blau/blue	11	M25
1	Profildichtung/profile seal	Viton		grau/grey	10	
	2	ZB-Bügelbolzen/central clip bolt	V2A/stainl. steel	blank/even	9	
1	1	ZB-Bügelbolzen/central clip bolt	Stahl/steel	verzinkt/zink plated	8	blau/blue
1	1	Profildichtung/profile seal	Neoprene	black/schwarz	7	
1	1	LB-Bügel/side clip	V2A/stainl. steel	blank/even	6	
1	1	LB-Bügel/side clip	Stahl/steel	verzinkt/zink plated	5	blau/blue
1	1	Deckel HB-K/cover	aluminium/ALU	Aluminiumoxid	4	black/schwarz
1	1	Deckel HB/cover	aluminium/ALU	Aluminiumoxid	3	grau/grey
1	1	Socketgehäuse HB-K/ surface mounted housing side entry	aluminium/ALU	Aluminiumoxid	2	black/schwarz
1	1	Socketgehäuse HB surface mounted housing side entry	aluminium/ALU	Aluminiumoxid	1	grau/grey

THIS DRAWING IS A CONTROLLED DOCUMENT. DWG: 07.11.2002
 CDR: Schneider 07.11.2002

STE TE Connectivity

NAME: Surface mounted housing side entry
 Socketgehäuse HB.6.SG.2.M25.Z

PRODUCT SPEC: -
 APPLICATION SPEC: -

SIZE: A1
 SCALE: 1:1

RESTRICTED TO: -
 SHEET: 1 OF 1
 REV: A5

CUSTOMER DRAWING

单击下面可查看定价，库存，交付和生命周期等信息

[>>TE Connectivity\(泰科\)](#)