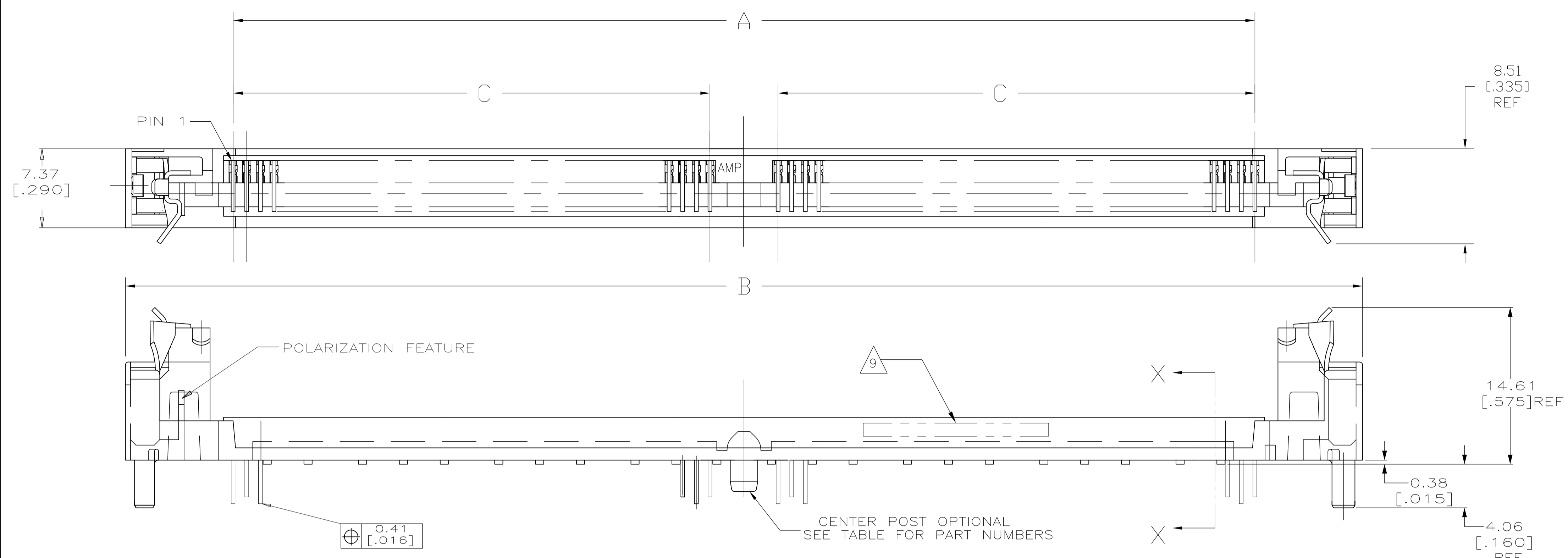
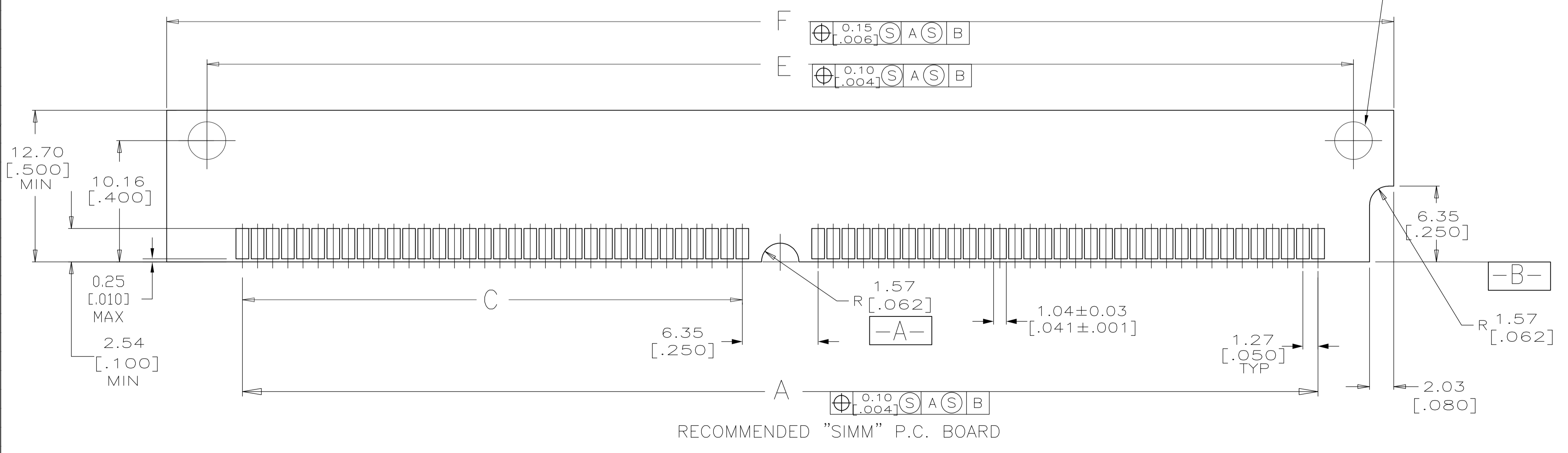
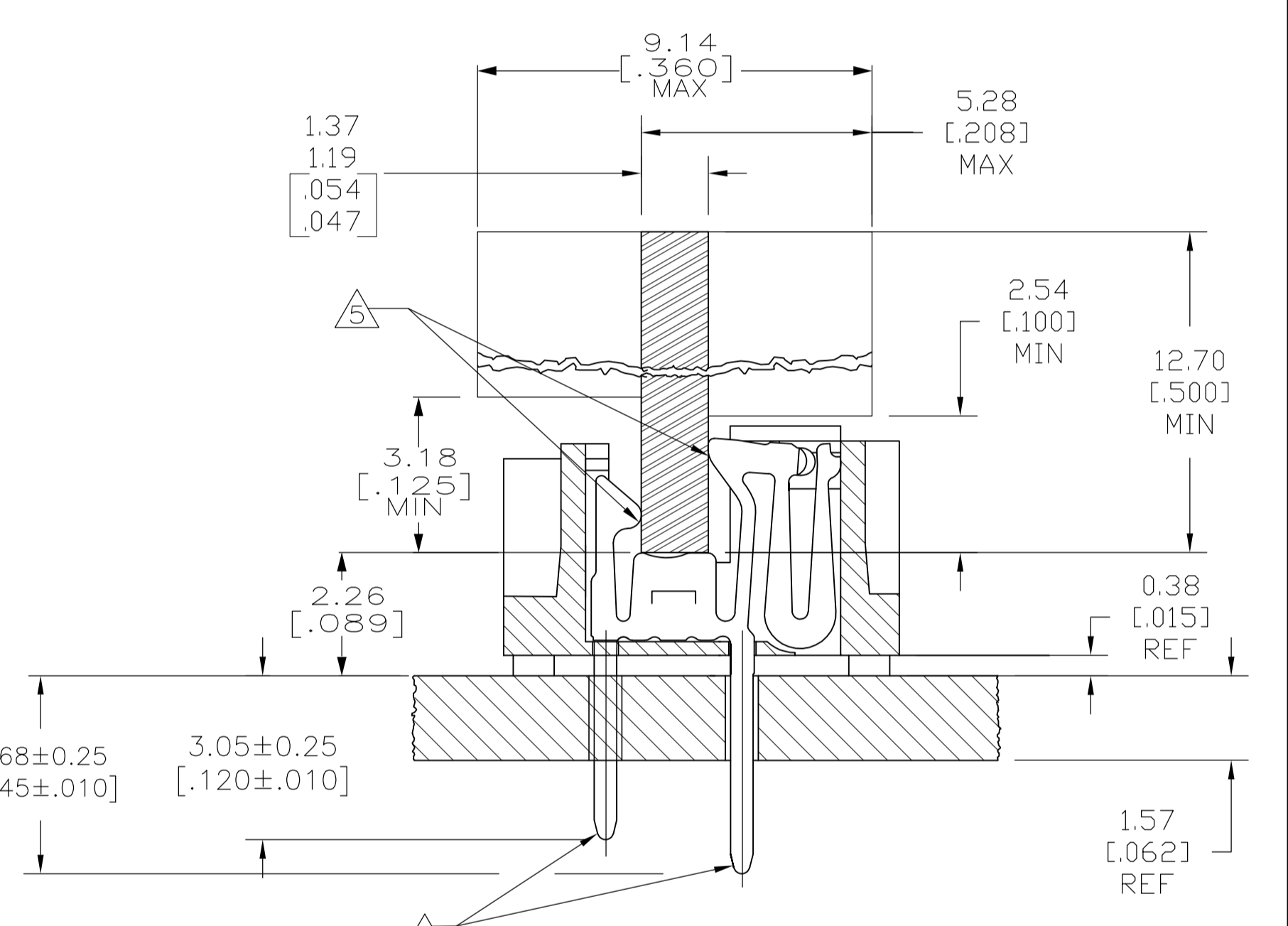
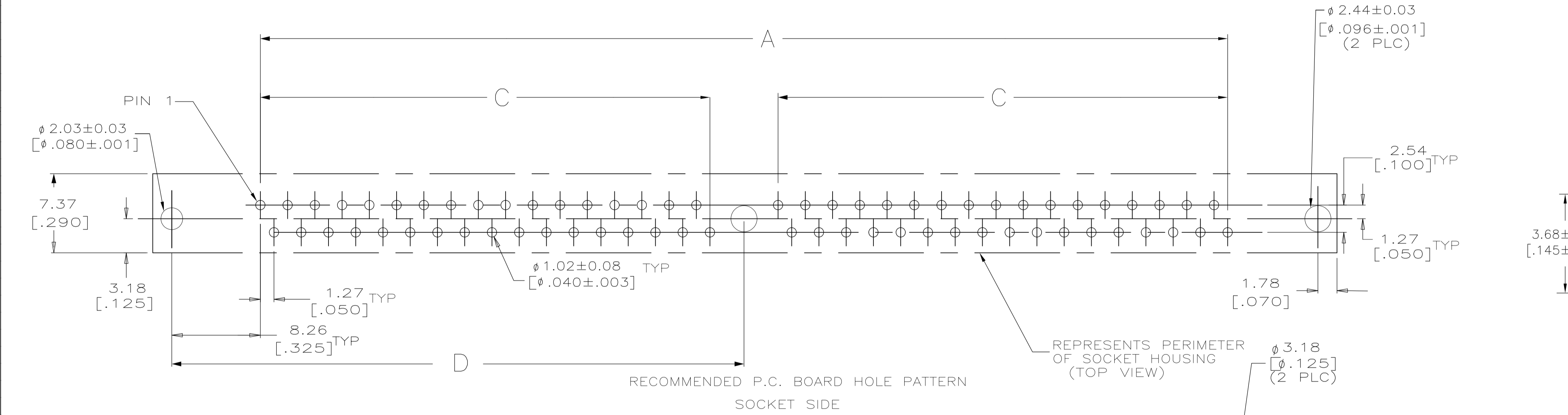


LOC		DIST		REVISIONS			
GP	00	P	LTR	DESCRIPTION	DATE	DWN	APVD
B1				REVISED PER ECO-11-005033	28MAR11	RK	HMR



- △ HOUSING-MATERIAL : LIQUID-CRYSTAL-POLYMER, COLOR:NATURAL.
 - △ CONTACT-MATERIAL : PHOS. BRONZE.
 - △ LATCH-MATERIAL : BRASS, NICKEL PLATE.
 - △ CONTACT-PLATE 0.00127 [.000050] MIN NICKEL ALL OVER.
 - △ CONTACT-PLATE 0.00076[.000030] MIN. GOLD AT CONTACT PTS.
 - △ CONTACT SOLDER-TAILS-PLATE 0.00508[.000200] MIN MATTE TIN.
7. IN ADDITION TO THOSE RECOMMENDED "SIMM" P.C. BOARD DIMENSIONS AND TOLERANCES SHOWN, ALL JEDEC SPECIFICATIONS APPLY AS SHOWN ON MO-116, ISSUE A.
8. RECOMMENDED MATING S.I.M.M. TAB METALLURGY:
BASE METAL-COPPER. PLATING TO BE 0.00076[.000030] MIN GOLD OVER 0.00127[.000050] MIN NICKEL.
- △ DATE CODE: (YEAR WEEK) XXXX FORMAT, LOCATED APPROXIMATELY AS SHOWN ON OPPOSITE SIDE.



WITH CENTER POST	107.95[4.250]	101.19[3.984]	55.88[2.200]	44.45[1.750]	115.57[4.550]	95.25[3.750]	72	5821997-3
F	E	D	C	B	A	NO OF POSN	PART NO	
THIS DRAWING IS A CONTROLLED DOCUMENT. DIMENSIONS: mm [INCHES]. TOLERANCES UNLESS OTHERWISE SPECIFIED: 0 PLC ± -, 1 PLC ± -, 2 PLC ± -, 3 PLC ± 0.13[.005], 4 PLC ± -, ANGLES ± -.								DIN S. WAITMAN S.JANOS CIRK M. YFOMANS S.JANOS APVD M. YFOMANS S.JANOS PRODUCT SPEC APPLICATION SPEC WEIGHT CUSTOMER DRAWING
MATERIAL: HOUSING: LIQUID-CRYSTAL-POLYMER, CONTACT: PHOS. BRONZE, LATCH: BRASS, NICKEL PLATE. CONTACT-PLATE: 0.00127 [.000050] MIN NICKEL ALL OVER. CONTACT-PLATE: 0.00076[.000030] MIN. GOLD AT CONTACT PTS. CONTACT SOLDER-TAILS-PLATE: 0.00508[.000200] MIN MATTE TIN.								NAME: CONNECTOR, MICRO-EDGE, .050, VERT. GOLD PL. W/METAL LATCH SIZE: A1 CASE CODE: 00779 DRAWING NO: 5821997 SCALE: 4:1 SHEET: 1 OF 1 REV: B1

单击下面可查看定价，库存，交付和生命周期等信息

[>>TE Connectivity\(泰科\)](#)