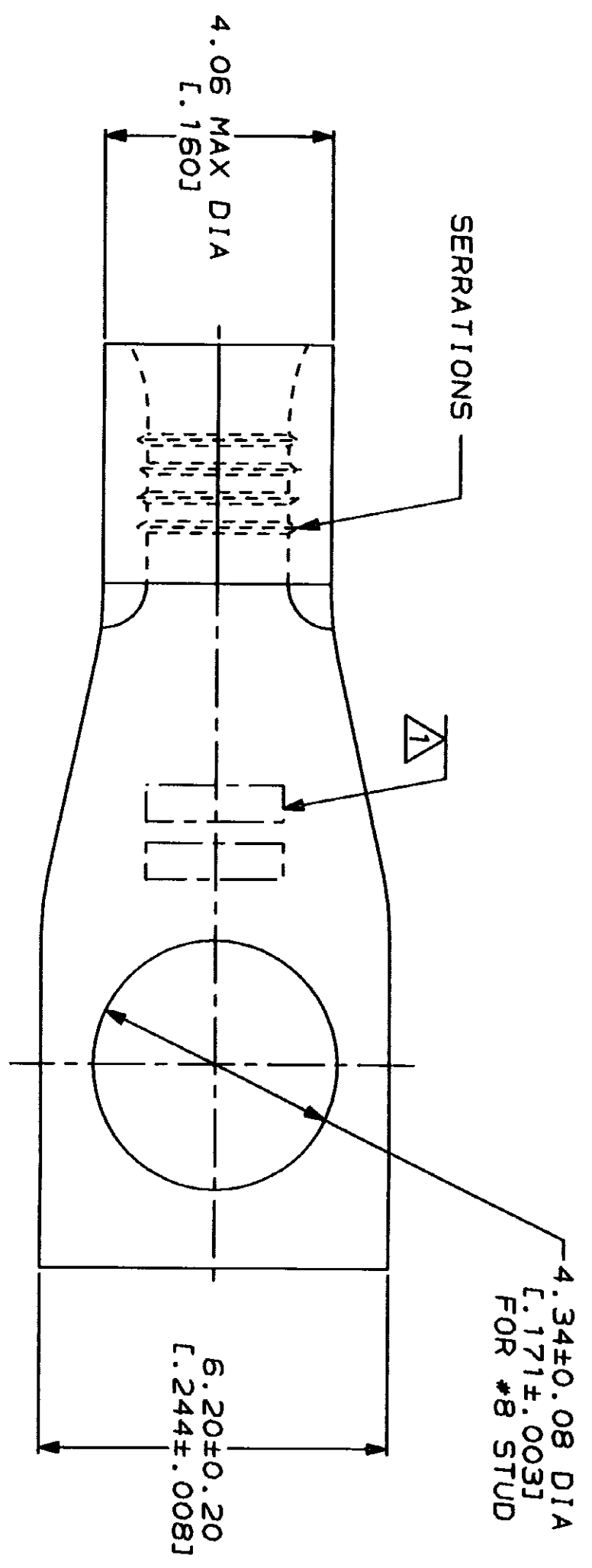


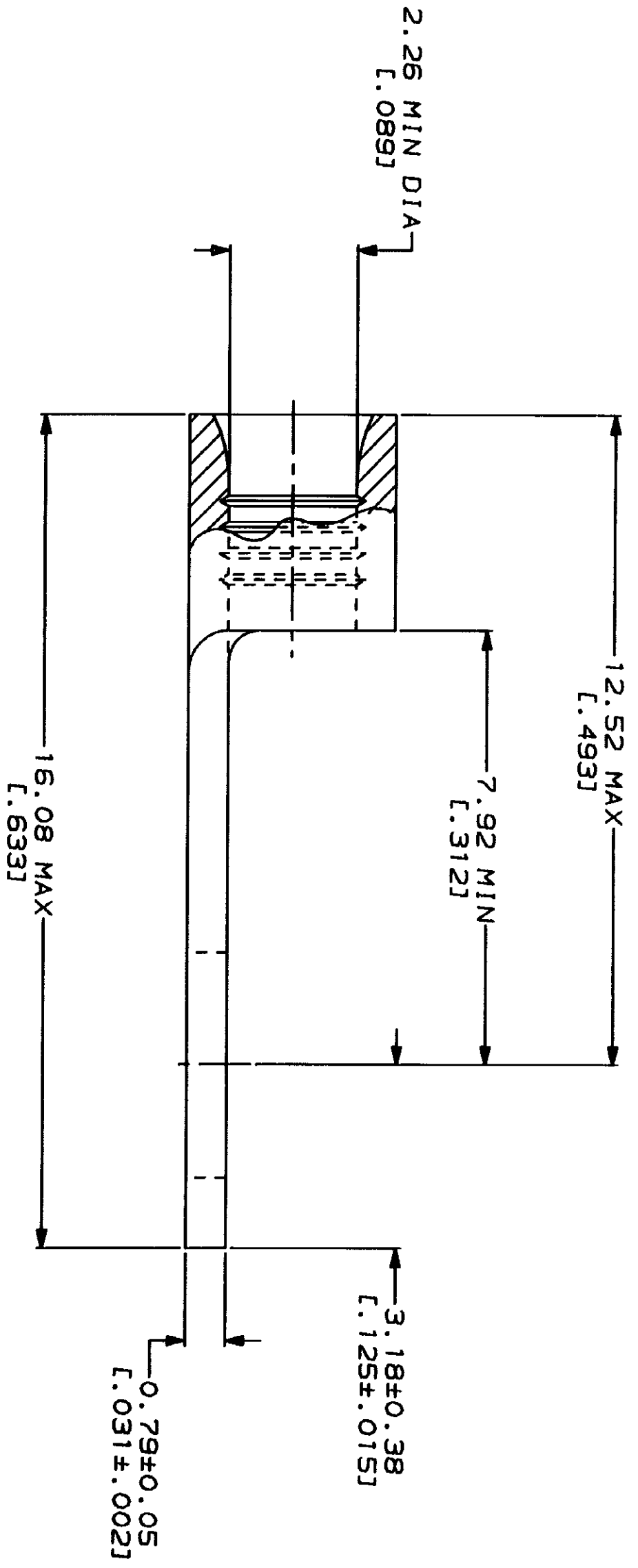
LOC	DIST	ZONE	LYR	DESCRIPTION	DATE	APPD
G	14			REVISED PER 0720-0230-93	2/28/94	gdp

METRIC
 DIMENSIONS LISTED IN mm (INCHES)



AMP WIRE RANGE 16-14 AWG STRANDED	UL E13288 Listed 16-14 AWG STRANDED
LR7189 Certified	MILITARY P/N AND CLASS
NOT CERTIFIED	NOT APPLICABLE

△ STAMP AMP 16-14* APPROX AS SHOWN



AMP INCORPORATED
 CUSTOMER SERVICE SYSTEMS

FOR ADDITIONAL
 PRODUCT INFORMATION OR
 COPIES OF DRAWINGS
 AND TECHNICAL DOCUMENTS
 1-800-522-6752
 PRODUCT INFORMATION CENTER

FOR APPLICATION
 TOOLING INFORMATION
 1-800-722-1111
 TOOLING ASSISTANCE CENTER

FOR ORDER ENTRY
 1-800-526-5142

MAX RECOMMENDED OPERATING
 TEMPERATURE:
 170°C MAX

VOLTAGE RATING:
 NOT APPLICABLE

WIRE CROSS SECTIONAL AREA RANGE:
 1.04-2.62mm² (2,050-5,180) CIR MILS
 STRANDED

THIS DRAWING IS A CONTROLLED DOCUMENT FOR
 AMP INCORPORATED. IT IS SUBJECT TO CHANGE
 WITHOUT NOTICE. ANY REVISIONS
 SHOULD BE CONTACTED FOR THE LATEST REVISION.

DO NOT SCALE PRINT.
 UNLESS SPECIFIED
 DIMENSIONS IN INCHES
 TOLERANCES ON:
 1 DEC # -
 2 PLC DEC # -
 3 PLC DEC # -
 ANGLES ± -
 MATERIAL
 COPPER PER
 ASTM B-152
 ANNEALED

DR 1-28-93
 TA BRINKMAN
 CHK 1-28-93
 DA PATTERSON
 APPD 1-28-93
 DE MILLER
 APPD 1-28-93
 JL HECKLEY
 PRODUCT SPEC
 APPLICATION SPEC
 FINISH
 TIN PLATE
 0.00254L.0001001 MIN
 THK PER MIL-T-10727

AMP
 AMP Incorporated
 Harrisburg, PA 17105-3608

TERMINAL, RECTANGULAR
 TONGUE, BUDGET

SIZE
 CAGE CODE 00779
 DRAWING NO 35278
 SCALE 10:1

35278
 PART NO

单击下面可查看定价，库存，交付和生命周期等信息

[>>TE Connectivity\(泰科\)](#)