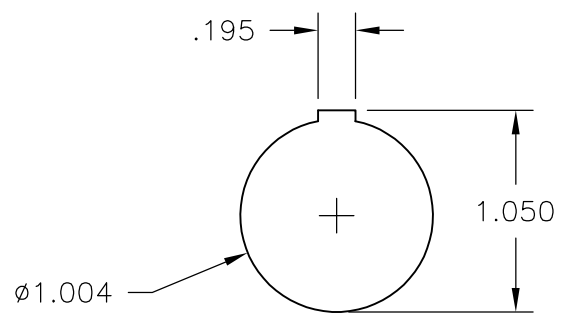
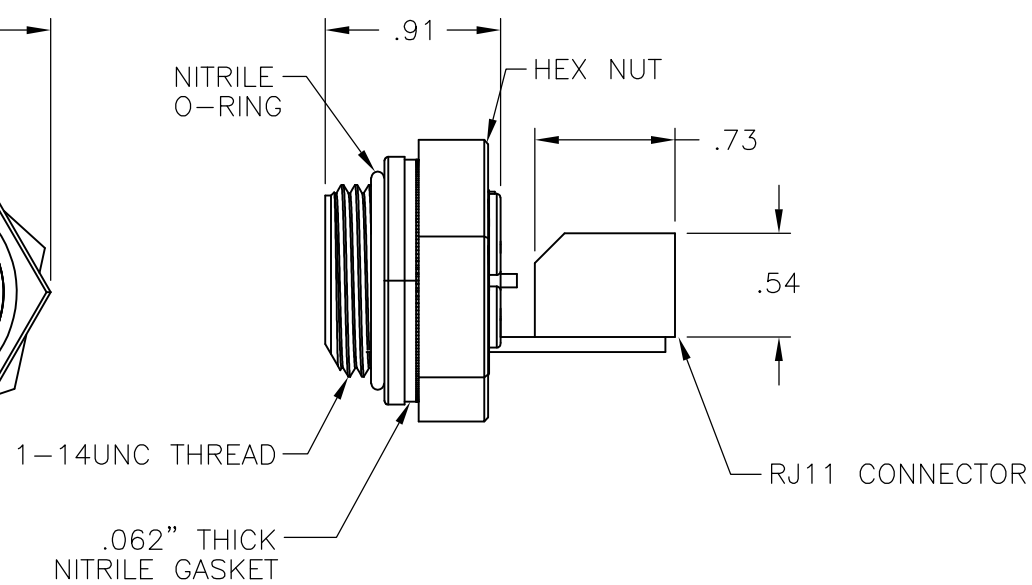
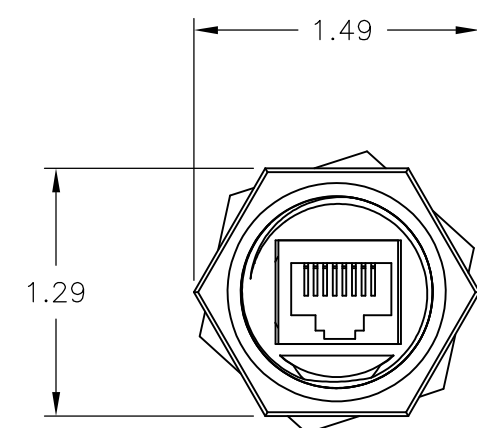
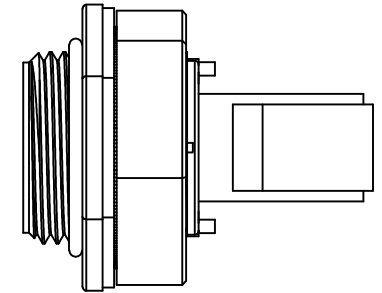


THIS DRAWING IS UNPUBLISHED. RELEASED FOR PUBLICATION
 © COPYRIGHT - By - ALL RIGHTS RESERVED.

LOC	DIST	REVISIONS					
FT	0	P	LTR	DESCRIPTION	DATE	DWN	APVD
			C1	REVISED PER ECO-11-004820	11MAR11	RK	HMR



BACKEND DIMS.
OF RECEPTACLE



	1-1546415-1
SUPERSEDED	1546415-1
	PART NO.

THIS DRAWING IS A CONTROLLED DOCUMENT.		DWN	S SCHLEGEL	09OCT2002	 TE Connectivity	NAME		RJ-11 BULKHEAD PASS THROUGH WITH BACKSIDE JACK			
DIMENSIONS: INCHES		CHK	H WAKEEM	10/9/02		PRODUCT SPEC		SIZE	CAGE CODE	DRAWING NO	RESTRICTED TO
		APVD	H WAKEEM	10/9/02		APPLICATION SPEC		A3	00779	C-1546415	-
MATERIAL		FINISH		WEIGHT		CUSTOMER DRAWING		SCALE	SHEET	REV	
								NTS	1 OF 1	C1	

单击下面可查看定价，库存，交付和生命周期等信息

[>>TE Connectivity\(泰科\)](#)