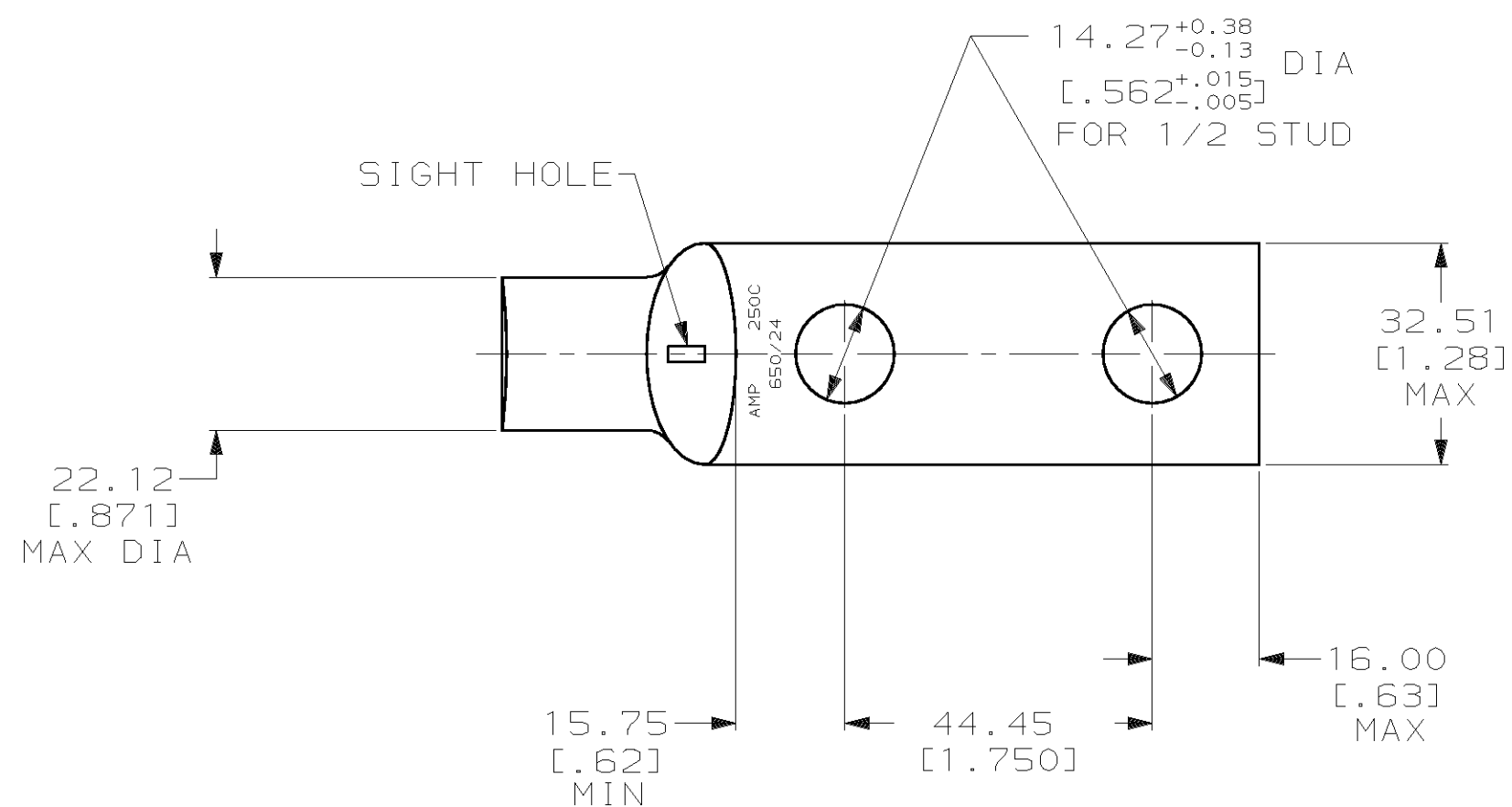
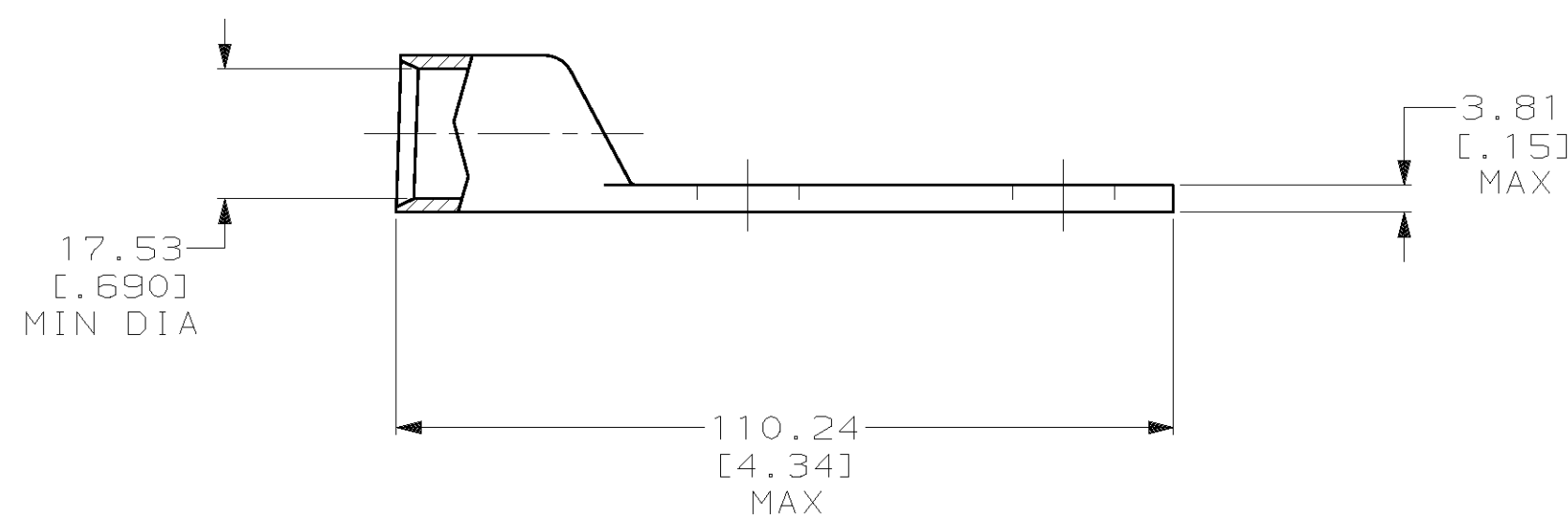


THIS DRAWING IS UNPUBLISHED. RELEASED FOR PUBLICATION ,19 .
 © COPYRIGHT 19 BY AMP INCORPORATED. ALL INTERNATIONAL RIGHTS RESERVED.

| LOC | | DIST | | P | | F | | REVISIONS | | | | |
|------|-----|-------------|------|------|--|---|--|----------------------|---------|-------|--|--|
| ZONE | LTR | DESCRIPTION | DATE | APPD | | | | | | | | |
| G | 86 | | | | | M | | REV PER 0G3A-0561-01 | 09OCT02 | JR/MS | | |



- 1 CIRCULAR MIL AREA RANGE: 231-275 MCM
- 2 TIN PL 0.00381 [.000150] MIN THK PER ASTM B545
- 3 CLEANED, UNPLATED
- 4 PREPRODUCTION - FASR REQ



| | | |
|--------|---|----------|
| 3 | 4 | 327285-2 |
| 2 | | 327285 |
| FINISH | | PART NO |

| | | | | | |
|--|--|---------------------------|--|---|--|
| DO NOT SCALE PRINT. UNLESS SPECIFIED DIMENSIONS IN mm [INCHES] TOLERANCES ON : 2 PLC DEC ± 0.51 [.020] 3 PLC DEC ± - ANGLES ± - | | DR 02/28/90 DK SCHRUM | | AMP INCORPORATED Harrisburg, Pa. 17105 | |
| MATERIAL ANNEALED COPPER ASTM B-75 | | CHK 20JAN95 MS FEHER | | | |
| FINISH SEE TABLE | | APPD 20JAN95 WJ VOCKROTH | | NAME TERMINAL, AMPPOWER™ WIRE SIZE: 250 MCM | |
| | | APPD 20JAN95 TL SHUTTER | | DRAWING NO 327285 | |
| | | PRODUCT SPEC 108-30200 | | CAGE CODE 00779 | |
| | | APPLICATION SPEC - | | SCALE 1:1 | |
| | | WEIGHT .201 LB | | SHEET 1 OF 1 | |



单击下面可查看定价，库存，交付和生命周期等信息

[>>TE Connectivity\(泰科\)](#)