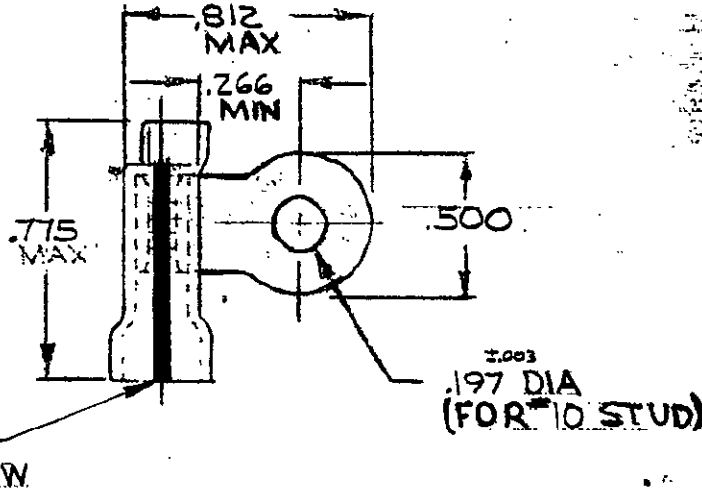


DRAWING MADE IN AMERICAN PROJECTION

© 1959 BY AMP INCORPORATED. ALL RIGHTS RESERVED. AMP PRODUCTS COVERED BY PATENTS AND/OR PATENTS PENDING.

REVISIONS

LTR	DESCRIPTION	DATE	APPROVED
A	REDRAWN & REVISED	7-31-68	FWW
B	REV/0120-0185-97	11-13-97	ME/SB



TONGUE MATERIAL THICKNESS = .040
FOR .150 TO .230 WIRE INSULATION DIA

1	WIRE TERMINAL	322315	SLEEVE: PVC COLOR: NATURAL
			BODY: COPPER (Q0-C-576) TIN PL (MIL-T-10727)

UNLESS OTHERWISE SPECIFIED DIMENSIONS ARE IN INCHES
TOLERANCES ON:
DECIMALS ±.008
ANGLES ±5°

CONTRACT NO.	#
DR.	7-23-68
CHK	7-31-68
APPD	8-30-68
REL	



AMP INCORPORATED
HARRISBURG, PENNSYLVANIA

NAME: WIRE TERMINAL
PLASTI-GRIP RING TONGUE FLAG
WIRE SIZE: 12-10

MATERIAL

SEE TABLE

DSGN APPD	SIZE	CODE IDENT NO.	NUMBER
	A	00779	322315
OTHER APPD			

SCALE: 2:1

单击下面可查看定价，库存，交付和生命周期等信息

[>>TE Connectivity\(泰科\)](#)