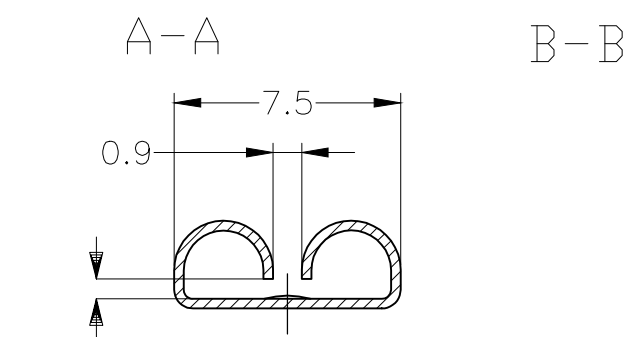
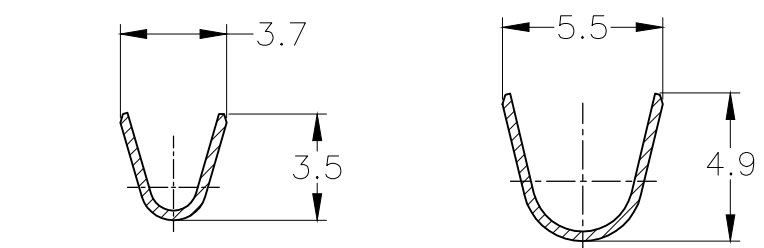
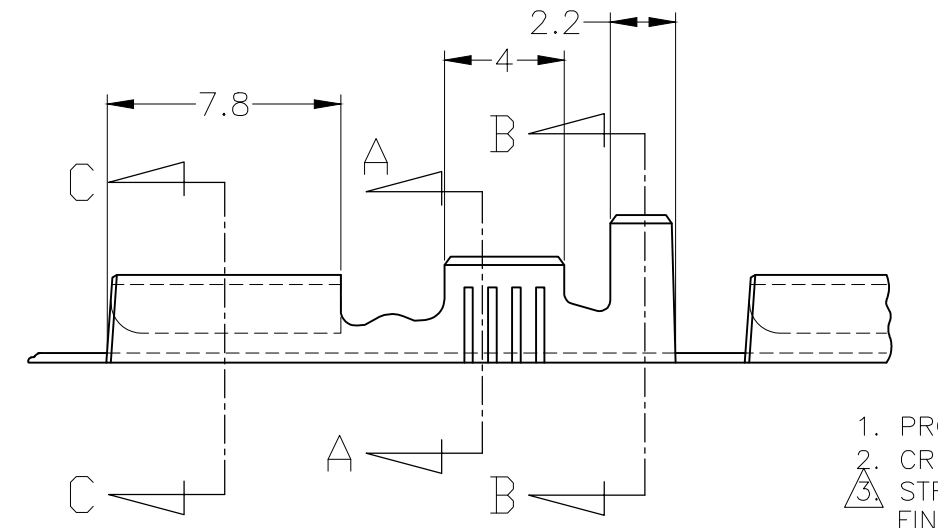
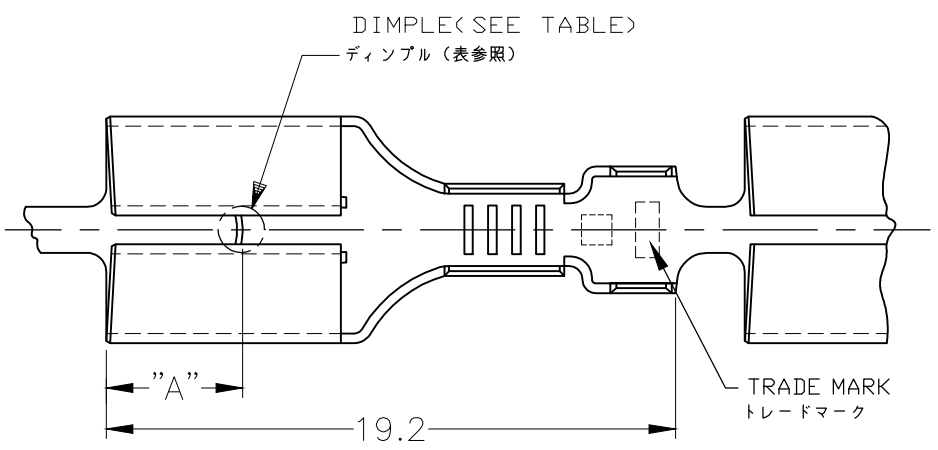


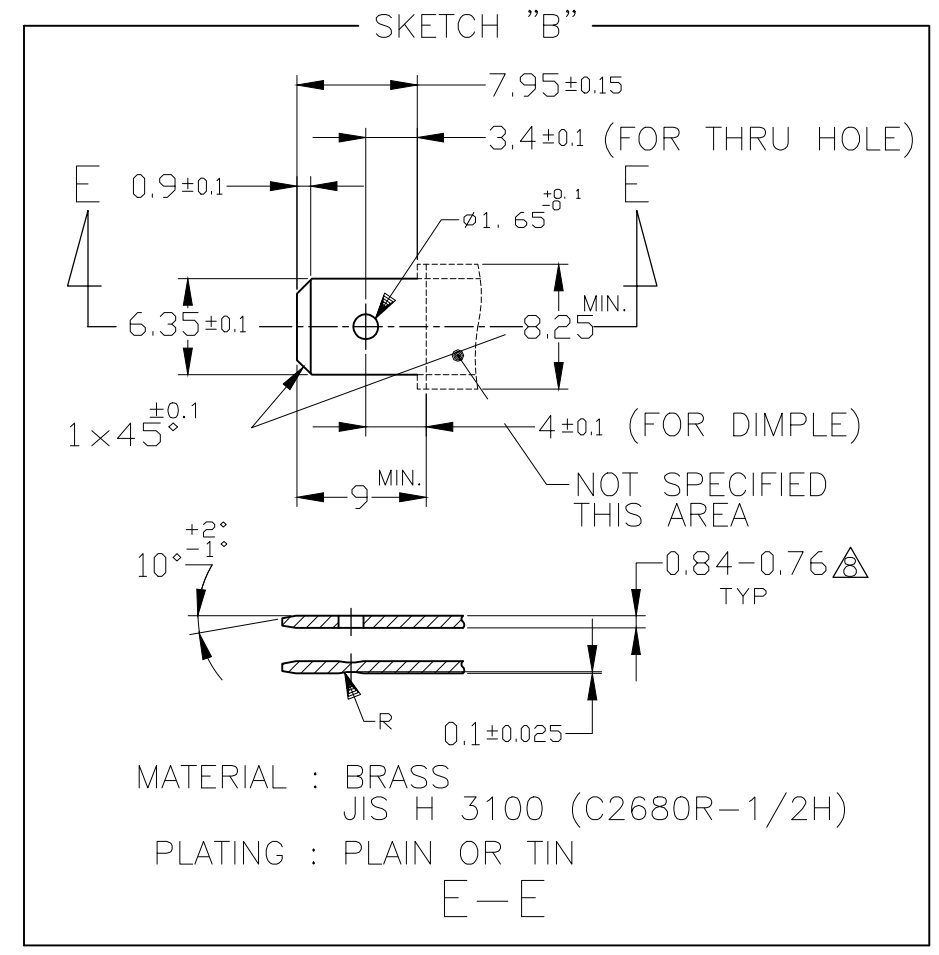
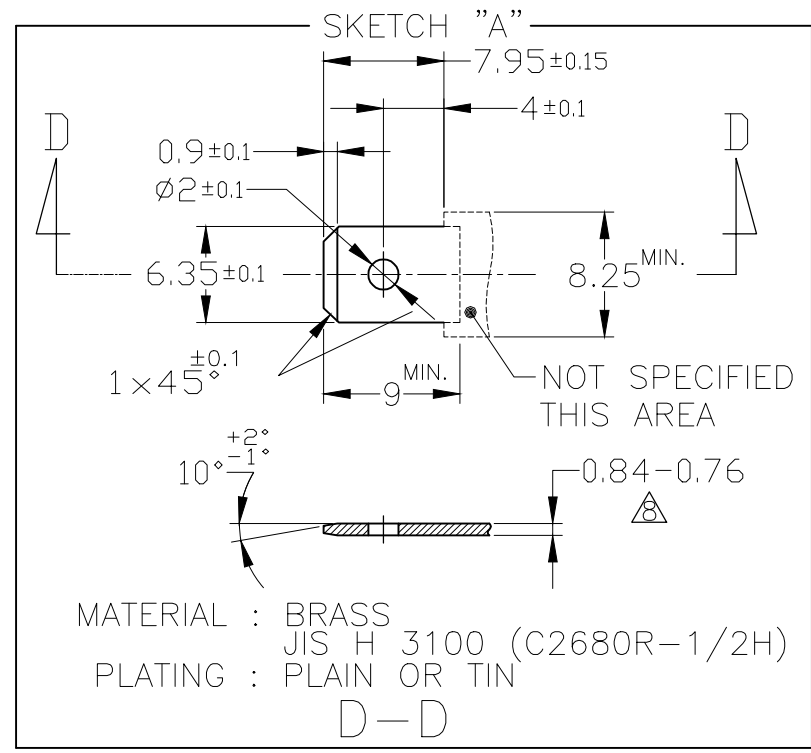
THIS DRAWING IS UNPUBLISHED. RELEASED FOR PUBLICATION
 © COPYRIGHT 2004 By - ALL RIGHTS RESERVED.

LOC	DIST	REVISIONS					
J	-	P	LTR	DESCRIPTION	DATE	DWN	APVD
			U3	REVISED PER ECR-16-015552	3NOV2016	D.L	T.D
			U4	REVISED PER ECR-20-009164	11AUG2020	MK	E.W



この寸法は嵌合力によって管理する。
 THIS DIMENSION IS CONTROLLED WITH MATING FORCE AND 0.71 MAX

C-C



- PRODUCT SPEC : 108-5153, 108-5169
- CRIMP SPEC : 114-5052
- STRESS RELIEVING FINISH IS SUBJECT TO CHANGE BY THE TYPE OF STRESS RELIVING PROCESS
 INERT GAS FURNACE - - - -MATTE
 ATOMOSPHERIC FURNACE FOLLOWED BY ACID PICKLE - - - -BRIGHT
- ELIMINATION STRESS RELIVING PROCESS
- PRODUCT SPECIFICATION: 108-5147
- QUALIFICATION TEST REPORT: 501-5050

OBSOLETE AMP AUSTRALIAN PRODUCT
 アンプ オーストラリア製

- △ SEPARATE PAPER TYPE
- △ MATING TAB THICKNESS IS 0.84-0.76
- △ ストレス除去処理
 処理方法により外観が変わります。
 不活性ガス加熱方式 - - - 無光沢
 大気加熱方式 - - - 光沢
- △ ストレス除去処理をしない。
- 5. 製品規格 : 108-5147
- 6. 認定試験報告書 : 501-5050

OR EQUIVALENT TO 170030-1	W/O DIMPLE	---	BRASS	---	---	8-170032-7
OR EQUIVALENT TO 170256-3	W/O DIMPLE	TIN PLATING	BRASS	---	179461-5	6-170032-5
OR EQUIVALENT TO 170030-1	W/O DIMPLE	△	BRASS	---	---	6-170032-2
OR EQUIVALENT TO 170030-3	W/O DIMPLE	TIN PLATING 錫メッキ	ZKLF-5 #4	---	---	170032-6
OR EQUIVALENT TO 170256-3	W/O DIMPLE	TIN PLATING 錫メッキ	BRASS	---	179461-5	170032-5
SKETCH, "A"	WITH DIMPLE	TIN PLATING 錫メッキ	BRASS	4.5	---	170032-4
OBSOLETE SKETCH "A" OR "B"	WITH DIMPLE	---	BRASS	3.8	---	170032-3
OR EQUIVALENT TO 170030-1	W/O DIMPLE	---	BRASS	---	---	170032-2
SKETCH, "A"	WITH DIMPLE	---	BRASS	4.5	---	170032-1
MATING TAB	DIMPLE	FINISH	MATERIAL	"A"	LOOSE PIECE NUMBER	PART NUMBER

THIS DRAWING IS A CONTROLLED DOCUMENT.

DWN A.YAMAGUCHI 23JUN04
 CHK K.BETSUI 19SEP2015
 APVD K.BETSUI 23JUN04

NAME 名称
 250 SERIES RECEPTACLE WITHOUT LATCH

PRODUCT SPEC 製品規格
 SEE NOTE

APPLICATION SPEC 取付適用規格

SIZE A3 CAGE CODE 00779 DRAWING NO. 番号 C-170032 RESTRICTED TO

WEIGHT

MATERIAL 材料 0.32 THK FINISH 仕上 SEE TABLE △

SCALE 尺度 4:1 SHEET 1 OF 1 REV U4

CUSTOMER DRAWING

单击下面可查看定价，库存，交付和生命周期等信息

[>>TE Connectivity\(泰科\)](#)