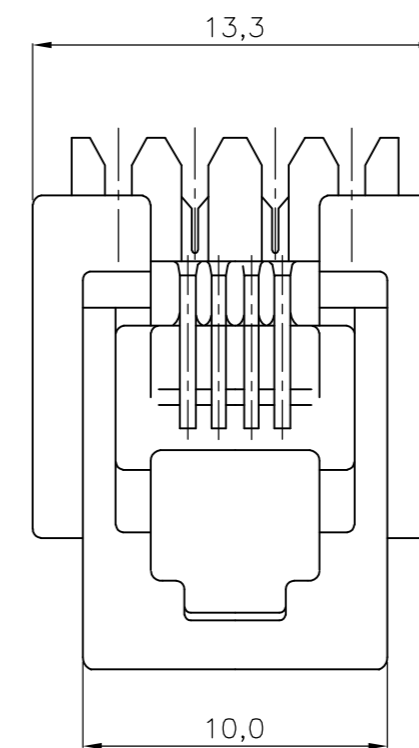
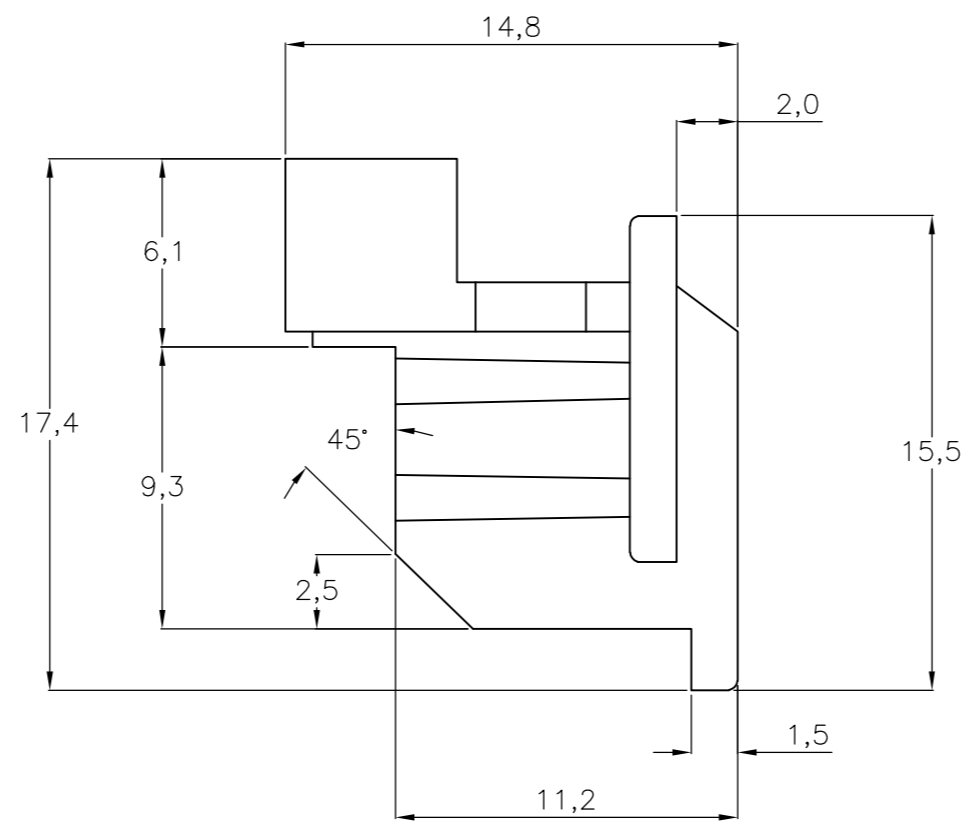
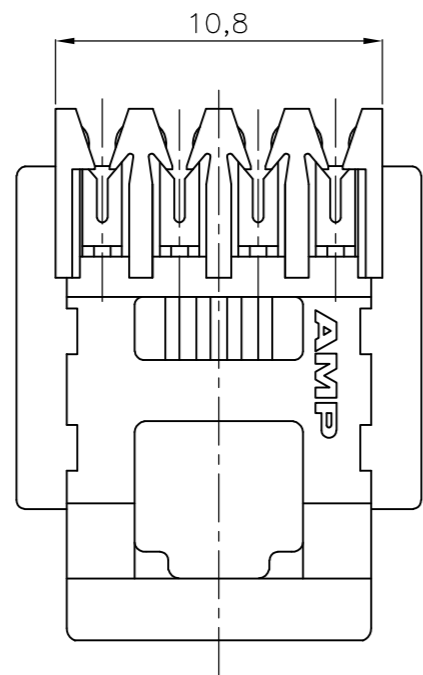
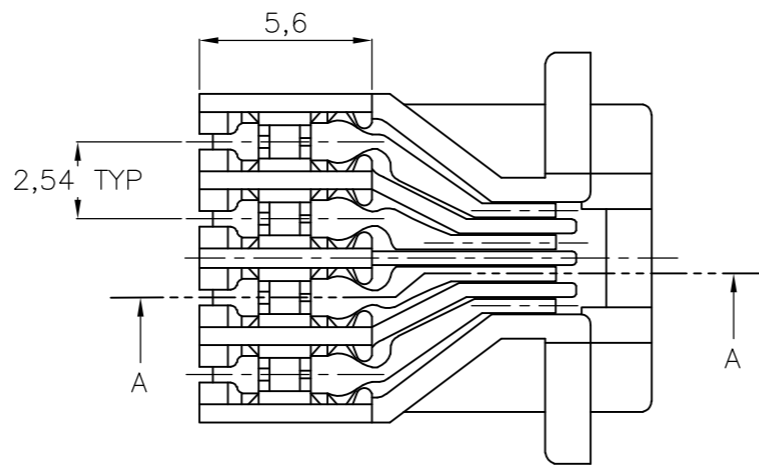


THIS DRAWING IS UNPUBLISHED. RELEASED FOR PUBLICATION  
 © COPYRIGHT BY TYCO ELECTRONICS CORPORATION. ALL INTERNATIONAL RIGHTS RESERVED.

LOC	DIST	REVISIONS					
		P	LTR	DESCRIPTION	DATE	DWN	APVD
H	-	N		EH-1637-99	02-11-98	MVE	-
		P		ECR-06-013127	31-05-06	MO	-
		P1		ECR-08-012368	05-11-08	AEG	WRV
		P2		REVISED PER ECO-09-020935	29AUG09	KK	AEG

NOTES:

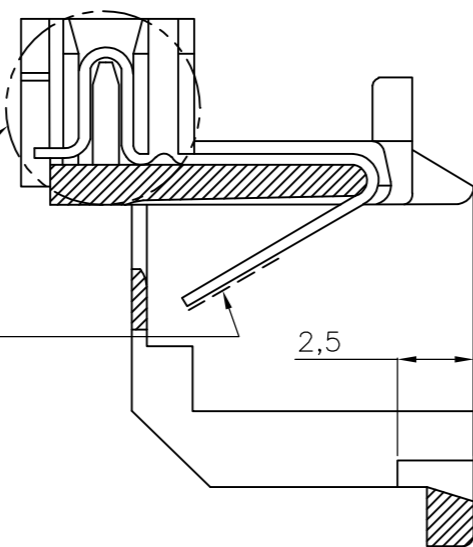
- FOR APPLICATION INFORMATION SEE TE SPECIFICATION 114-19005.
- FOR PERFORMANCE REQUIREMENTS SEE TE SPECIFICATION 108-19039.
- OBsolete PARTS: OBsolete CIS STREAMLINING PER D.RENAUD/D.SINISI



CONTACT PLATING IN THIS AREA:  
1,25µm MIN. TIN.

CONTACT AREA GOLD PLATING THICKNESS:  
SEE TABLE.

UNDERPLATING ON ENTIRE CONTACT :  
1,25µm MIN. NICKEL.



SECTION A-A

MATERIALS OF CONTACTS:  
PHOS. BRONZE.

OBsolete	PACKAGING	GOLD PLATING IN CONTACT AREA	HOUSING MATERIAL	ORDER NUMBER
800 PCS ON TAPE		0.8 µm	ABS COLOR-CLEAR	2-215222-4
3000 PCS IN A BOX				215222-4
800 PCS ON TAPE		1.25 µm	PBT, UL 94V-0 COLOR-BLACK	2-215222-3
3000 PCS IN A BOX				215222-3
				215222-1

THIS DRAWING IS A CONTROLLED DOCUMENT.

DWN: P. BEIJNON 24APR89  
 CHK: -  
 APVD: -  
 PRODUCT SPEC: -  
 APPLICATION SPEC: -  
 WEIGHT: -

**Tyco Electronics** Tyco Electronics Corporation  
 's-Hertogenbosch, Nederland

NAME: MODULAR JACK M.T., 4 POS./4 CONT WITH INSULATION DISPLACEMENT CONTACTS

SIZE: A2 CAGE CODE: 00779 DRAWING NO: C=215222 RESTRICTED TO: -

CUSTOMER DRAWING SCALE: NTS SHEET: 1 of 1 REV: P2

单击下面可查看定价，库存，交付和生命周期等信息

[>>TE Connectivity\(泰科\)](#)