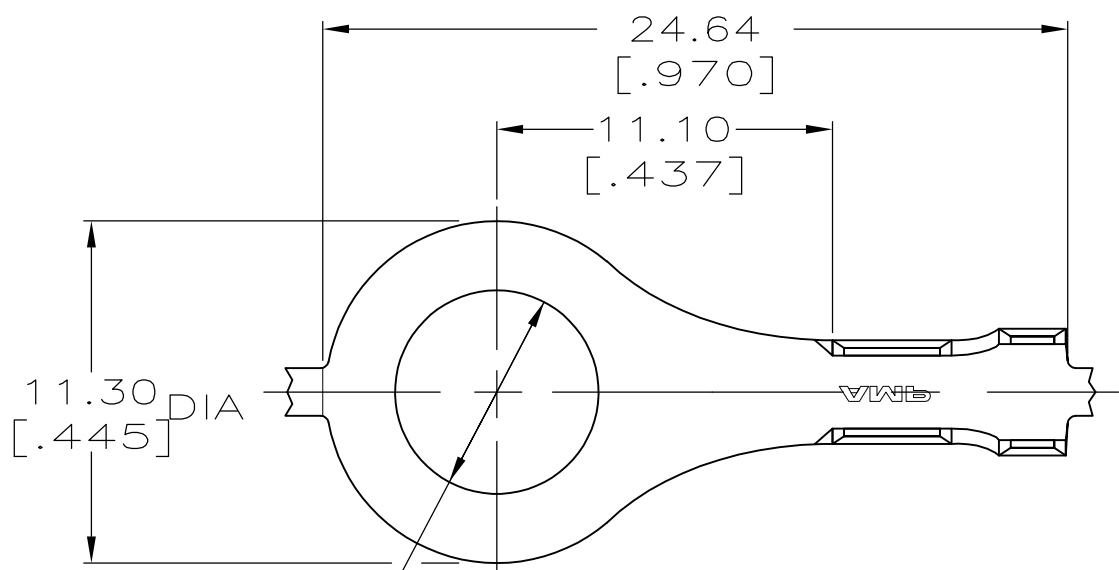
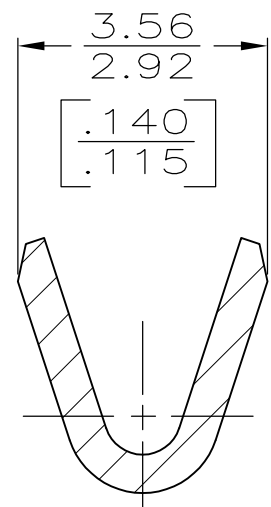
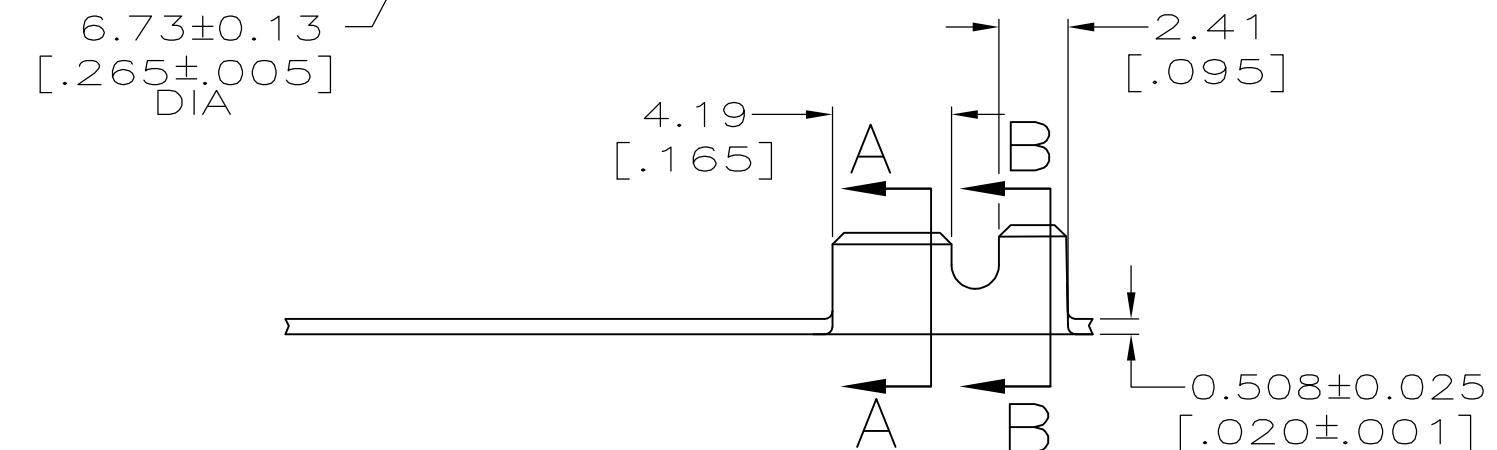


THIS DRAWING IS UNPUBLISHED. RELEASED FOR PUBLICATION  
 © COPYRIGHT BY TYCO ELECTRONICS CORPORATION. ALL INTERNATIONAL RIGHTS RESERVED.

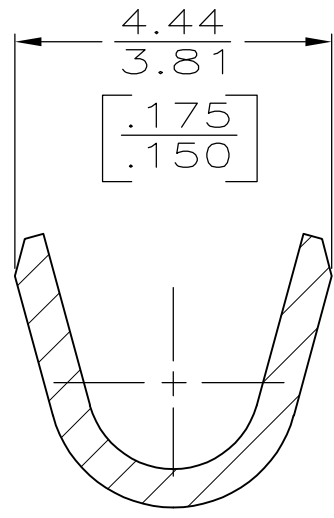
LOC	DIST	REVISIONS			
P	LTR	DESCRIPTION	DATE	DWN	APVD
AF	50	B	REVISED PER ECR-10-006099	07JUL10	HMR PD



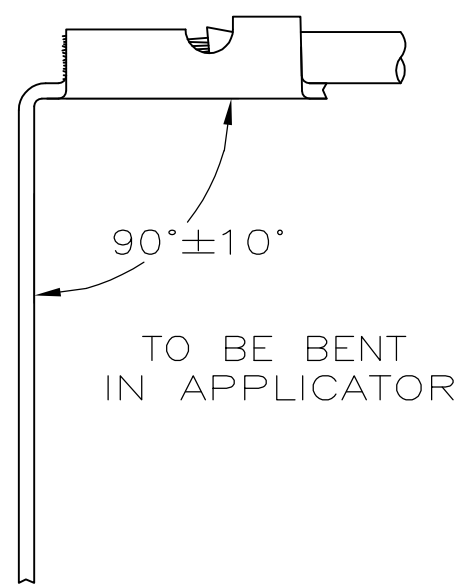
1. CONTINUOUS STRIP ON REEL.



SECTION A-A  
SCALE 10:1



SECTION B-B  
SCALE 10:1



2.03-3.05 [.080-.120] DIA	[20-16] AWG	1217046-1
INSULATION RANGE	WIRE RANGE	PART NUMBER

THIS DRAWING IS A CONTROLLED DOCUMENT.		DWN PHILLIP M FORTNEY 18/DEC/97	Tyco Electronics Corporation Harrisburg, PA 17105-3608	
DIMENSIONS: mm [INCHES]	TOLERANCES UNLESS OTHERWISE SPECIFIED:	CHK MICHAEL S FEHER 18/DEC/97	NAME	
	0 PLC ± -	APVD GARY YETTER 18/DEC/97	PRODUCT SPEC	
	1 PLC ± -		APPLICATION SPEC	
	2 PLC ± 0.25 [.010]		SIZE	
	3 PLC ± -		CAGE CODE	
	4 PLC ± -		DRAWING NO	
	ANGLES ± -		RESTRICTED TO	
MATERIAL	FINISH	WEIGHT	A3 00779 C-1217046	
082 BRASS	TIN	-	SCALE 4:1 SHEET 1 OF 1 REV B	
CUSTOMER DRAWING				

单击下面可查看定价，库存，交付和生命周期等信息

[>>TE Connectivity\(泰科\)](#)