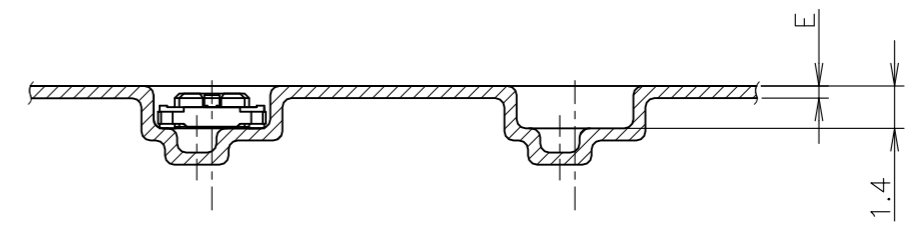
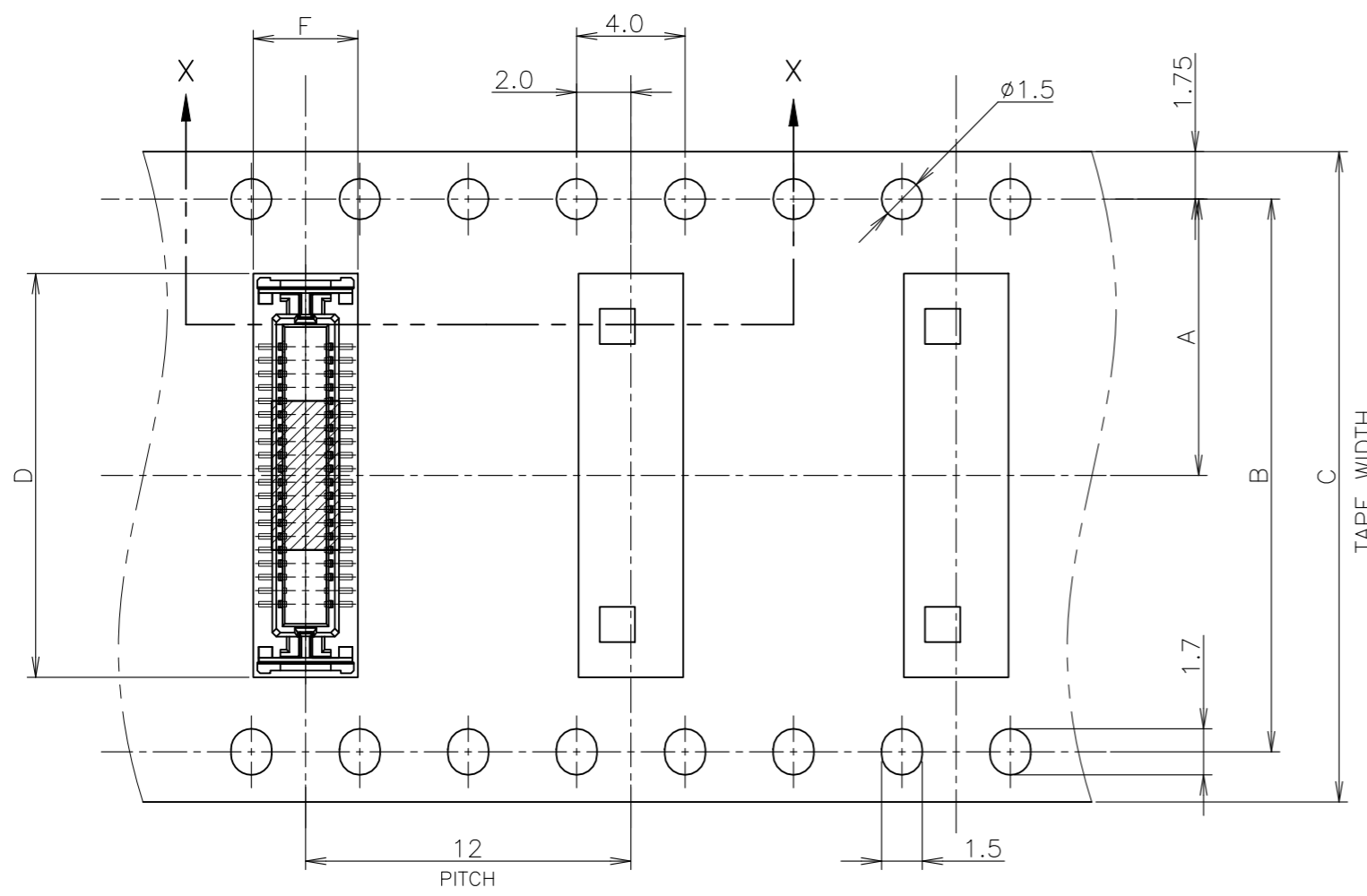


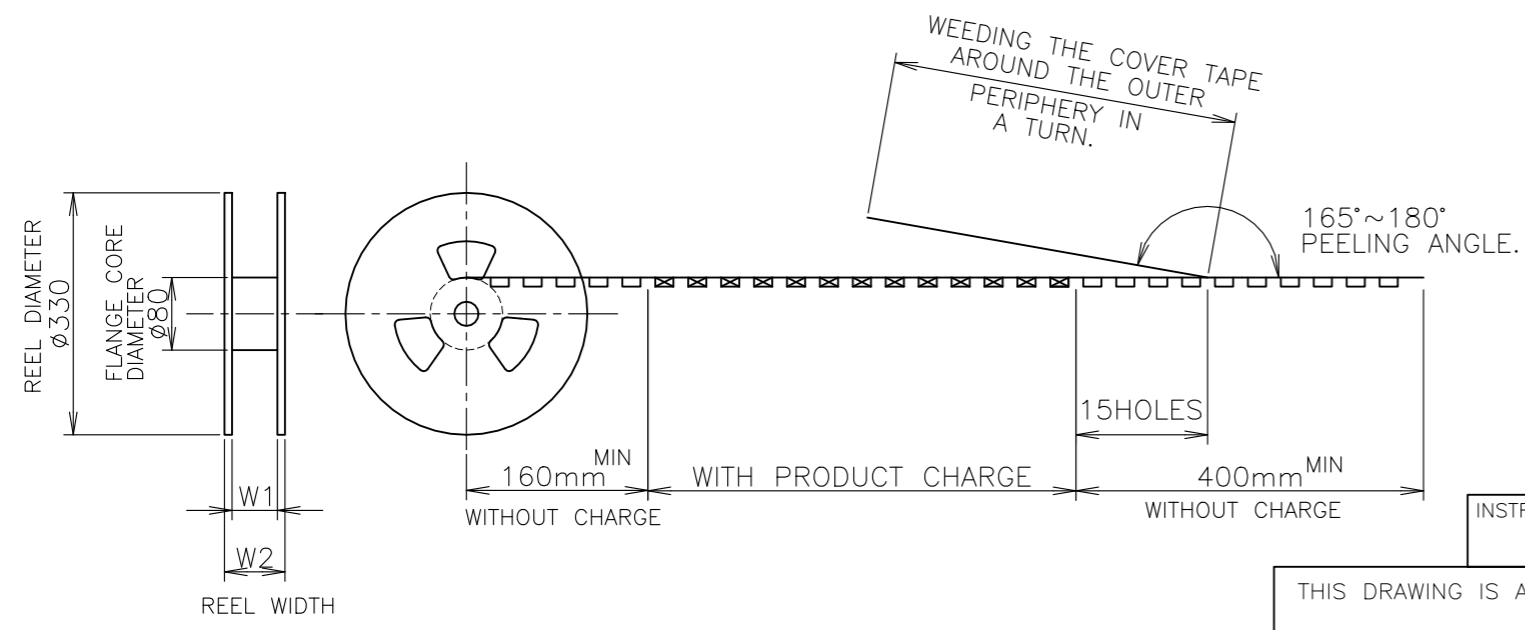
REVISIONS 変更					
P	LTR	DESCRIPTION	DATE	DWN	APVD
H1		REVISED PER ECN-21-103436	11OCT2021	AL	HL
H		ECR-13-012512	09AUG2013	IT	WKH



- 1 MATING COUNTER PART NUMBER: 5353158
- ② MATERIAL
HOUSING: HIGH HEAT-RESISTED
CONTACT: COPPER ALLOY (t=0.15), Au-PLT
SOLDER PEG: COPPER ALLOY (t=0.15), TIN-PLT
- ③ CONTACT: CONTACT POINT Au-PLT. 0.00076 MIN.
- ④ HSG: LCP VERSION
- ⑤ SUPERSEDED LIST

FROM	TO
7-5353164-0	7-5353164-7
7-5353164-5	7-5353164-6
8-5353164-0	8-5353164-6

TOP OF REEL →



④	48.7	45.5	3.86	0.4	24.9	44	40.4	20.2	1500	80	8-5353164-7
④	48.7	45.5	3.86	0.4	24.9	44	40.4	20.2	1500	80	8-5353164-6
OBSOLETE	48.7	45.5	3.86	0.4	24.9	44	40.4	20.2	1500	80	8-5353164-5
⑤	48.7	45.5	3.86	0.4	24.9	44	40.4	20.2	1500	80	8-5353164-0
④	48.7	45.5	3.86	0.4	22.4	44	40.4	20.2	1500	70	7-5353164-7
④	48.7	45.5	3.86	0.4	22.4	44	40.4	20.2	1500	70	7-5353164-6
⑤	48.7	45.5	3.86	0.4	22.4	44	40.4	20.2	1500	70	7-5353164-5
⑤	48.7	45.5	3.86	0.4	22.4	44	40.4	20.2	1500	70	7-5353164-0
④	37.5	33.5	3.8	0.4	19.85	32	28.4	14.2	1500	60	6-5353164-6
	37.5	33.5	3.8	0.4	19.85	32	28.4	14.2	1500	60	6-5353164-5
OBSOLETE	37.5	33.5	3.8	0.4	19.85	32	28.4	14.2	1500	60	6-5353164-0
OBSOLETE	29.5	25.5	3.8	0.4	17.35	24	11.5	11.5	1500	50	5-5353164-5

INSTRUCTION SHEET	W2	W1	F	E	D	C	B	A	QTY/REEL	POS	TAPING P/N
411-5781											

THIS DRAWING IS A CONTROLLED DOCUMENT.

DWN: J.ZHU 04NOV2004
CHK: S.YAO 04NOV2004
APVD: I.ENOMOTO 04NOV2004

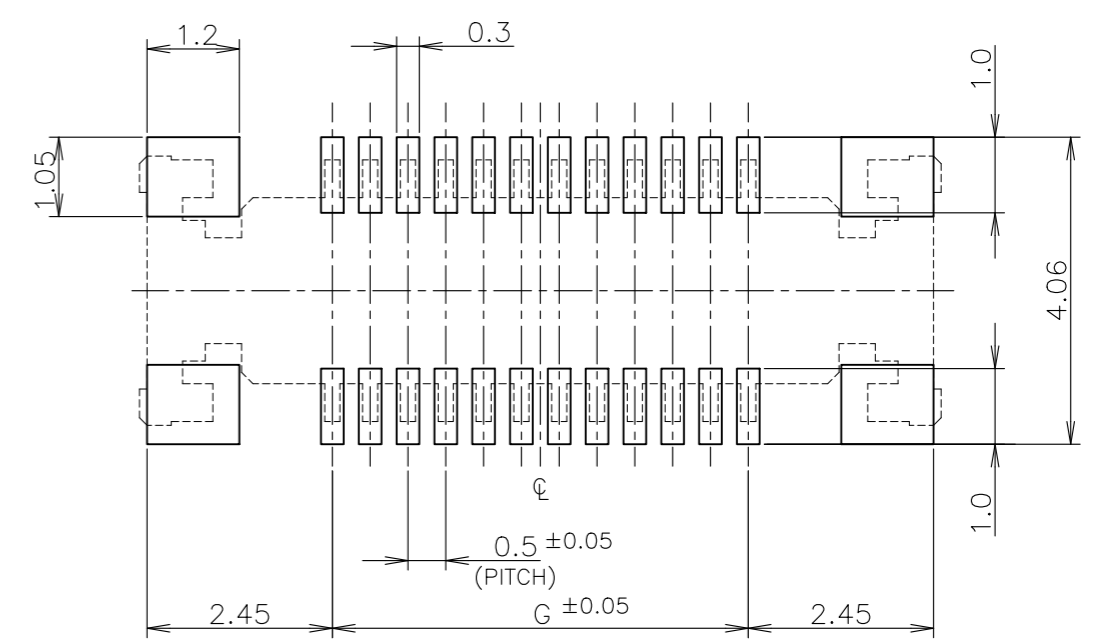
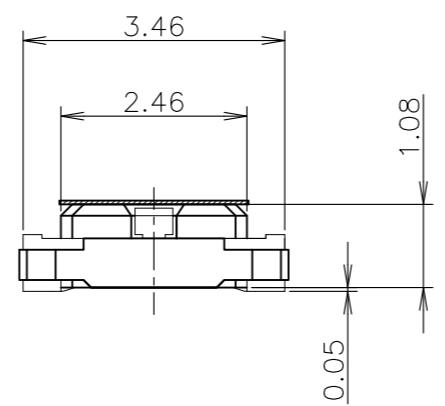
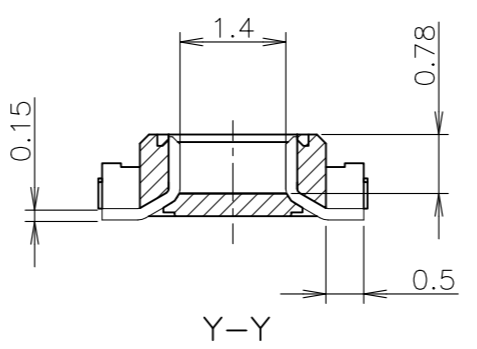
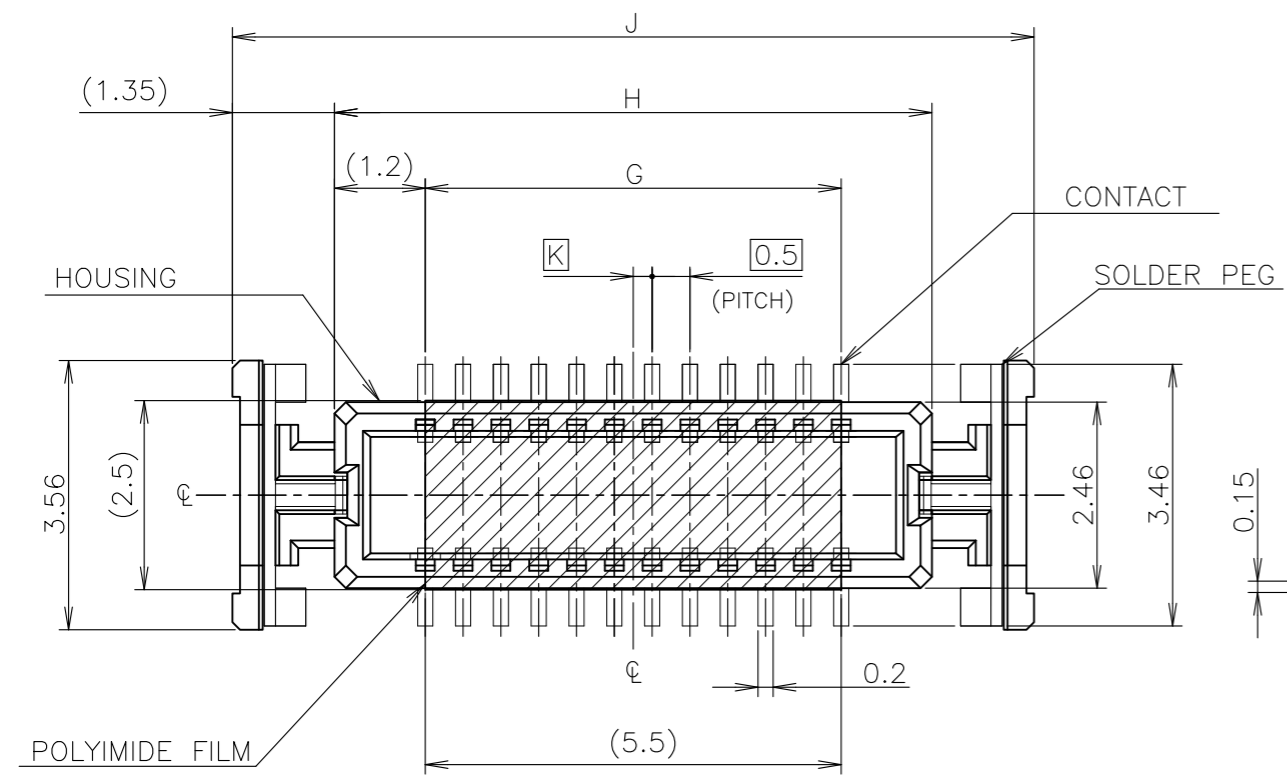
NAME: 108-60048
PRODUCT SPEC: 製品規格
APPLICATION SPEC: 取付適用規格

ON TAPING EMBOSS
0.5mm PITCH FS CONN.
TAB ASSEMBLY WITH FILM

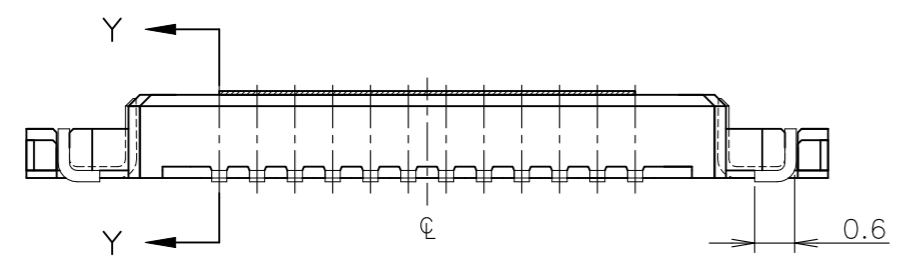
SIZE: A3 CAGE CODE: 00779 DRAWING NO: C-5353164 RESTRICTED TO: []

CUSTOMER DRAWING SCALE: 4:1 SHEET: 1 OF 2 REV: H1

REVISIONS 変更					
P	LTR	DESCRIPTION	DATE	DWN	APVD
-	-	SEE SHEET 1	-	-	-



(T=0.6 MIN.)
P.C. BOARD LAYOUT (REF.)



△4	△3	0.25	24.6	21.9	19.5	80	8-5353164-7	
△4	△3	0.25	24.6	21.9	19.5	80	8-5353164-6	
OBSOLETE	△3	0.25	24.6	21.9	19.5	80	8-5353164-5	
	△5	0.25	24.6	21.9	19.5	80	8-5353164-0	
⊕H1	△4	//	22.1	19.4	17	70	7-5353164-7	
△4	△3	//	22.1	19.4	17	70	7-5353164-6	
△5	△3	//	22.1	19.4	17	70	7-5353164-5	
	△5	//	22.1	19.4	17	70	7-5353164-0	
⊕H1	△4	△3	0.25	19.6	16.9	14.5	60	6-5353164-6
	△3	0.25	19.6	16.9	14.5	60	6-5353164-5	
OBSOLETE		0.25	19.6	16.9	14.5	60	6-5353164-0	
OBSOLETE		//	17.1	14.4	12.0	50	5-5353164-5	

INSTRUCTION SHEET	K	J	H	G	POS.	PART NO.
411-5781	DIMENSION					

THIS DRAWING IS A CONTROLLED DOCUMENT.

DIMENSIONS: 単位: 耗 mm	TOLERANCES UNLESS OTHERWISE SPECIFIED: 一般公差
0 PLC	± 0.2
1 PLC	± 0.2
2 PLC	± 0.2
3 PLC	± 0.2
4 PLC	± 0.2
ANGLES	± 3°
MATERIAL 材料	FINISH 仕上
△	△

DWN
CHK
APVD
PRODUCT SPEC
製品規格
APPLICATION SPEC
取付適用規格
WEIGHT

NAME
名称
ON TAPING EMBOSS
0.5mm PITCH FS CONN.
TAB ASSEMBLY WITH FILM

SIZE	CAGE CODE	DRAWING NO 番号	RESTRICTED TO
A3	00779	C-5353164	-

CUSTOMER DRAWING

SCALE 尺度	SHEET	REV
10:1	2 OF 2	H1

单击下面可查看定价，库存，交付和生命周期等信息

[>>TE Connectivity\(泰科\)](#)