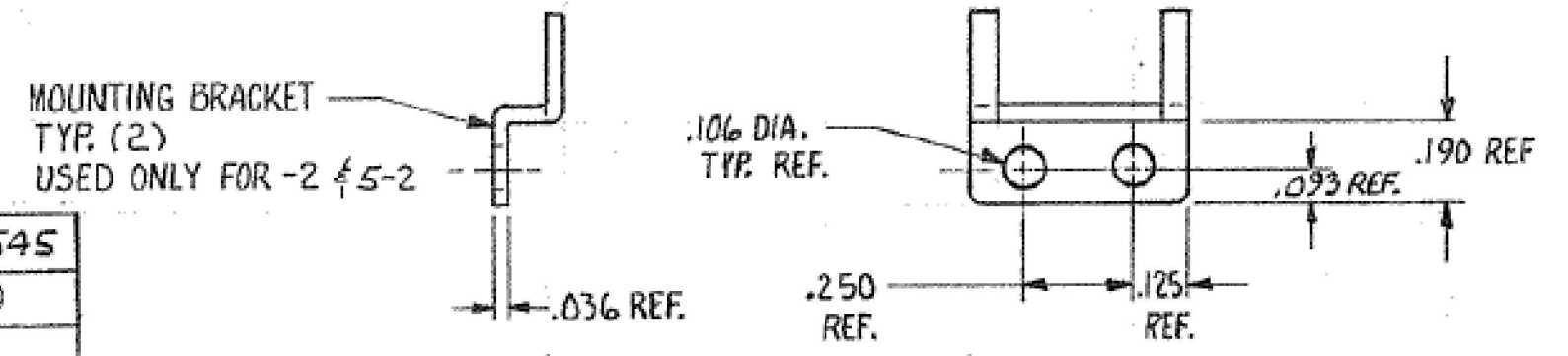
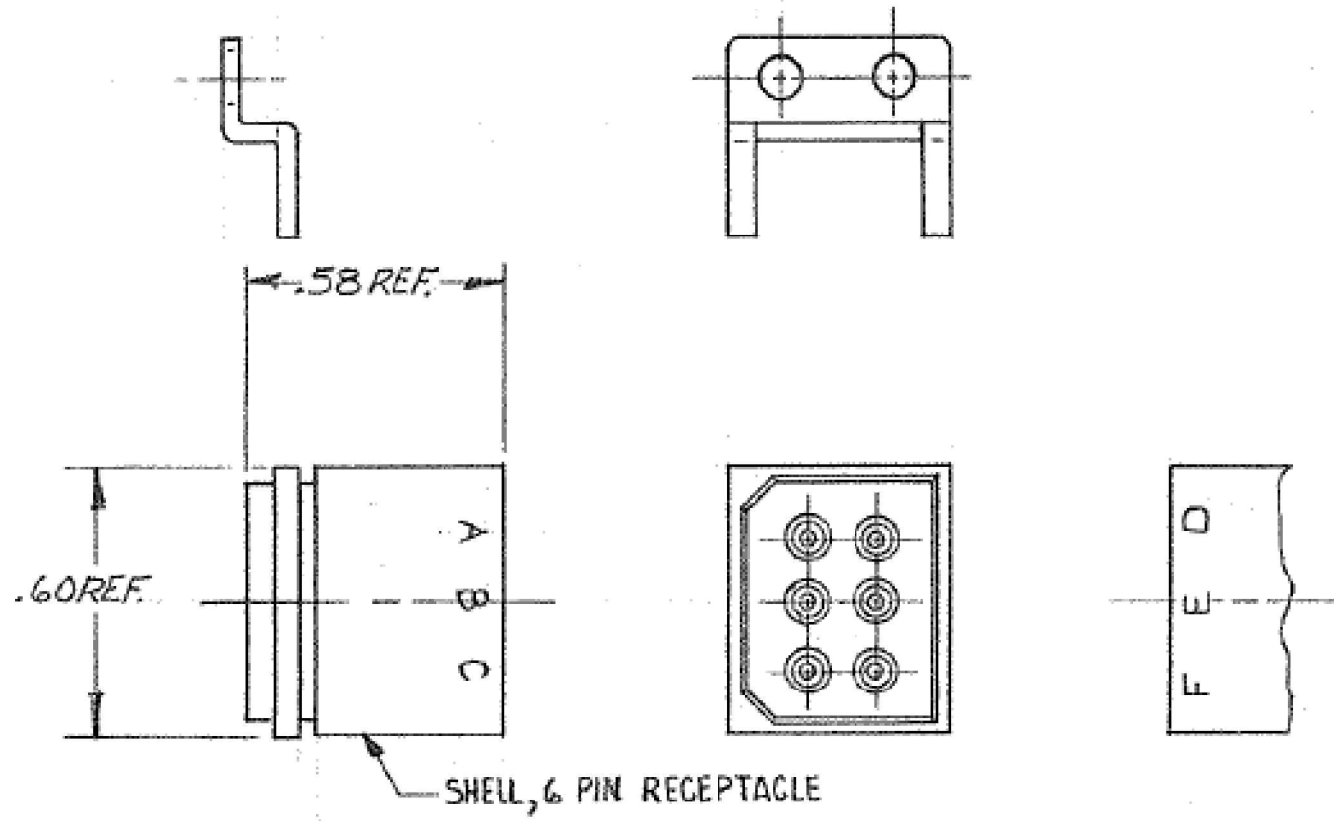
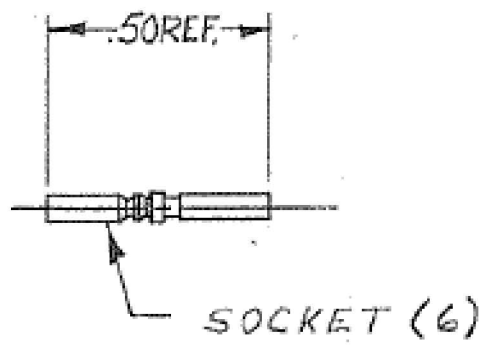
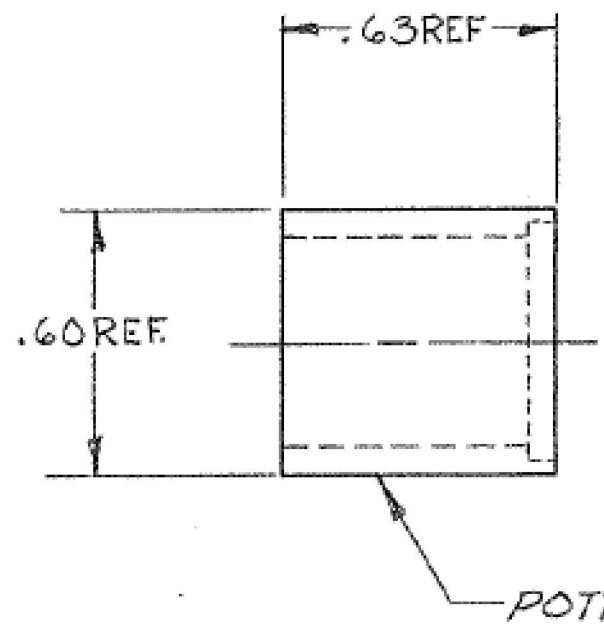


THIS DRAWING IS UNPUBLISHED. RELEASED FOR PUBLICATION  
 © COPYRIGHT - By - ALL RIGHTS RESERVED.

LOC	DIST	REVISIONS			
P	LTR	DESCRIPTION	DATE	DWN	APVD
	E	ECO-14-006390	12AUG2014	MGM	CT



PART NO.	DESCRIPTION
5-861393-2	WITH MOUNTING BRACKETS TIN PLATED PER ASTM-B-545
861393-2	WITH MOUNTING BRACKETS 93/7 TIN-LEAD PLATED
861393-1	W/O MOUNTING BRACKETS

NOTE:  
 1) CAVITY LETTERS MARKED  
 2) SEE 862091-1 FOR ASSEMBLY INSTRUCTIONS.

THIS DRAWING IS A CONTROLLED DOCUMENT.		DWN C. KUSTER 05AUG1974	TE Connectivity				
DIMENSIONS: INCHES		CHK C. KUSTER 05AUG1974					
TOLERANCES UNLESS OTHERWISE SPECIFIED:		APVD -	NAME -				
0 PLC ± - 1 PLC ± - 2 PLC ± - 3 PLC ± - 4 PLC ± - ANGLES ± -		PRODUCT SPEC -	RECEPTACLE ASSY KIT, LGH				
MATERIAL -		FINISH -	APPLICATION SPEC -	SIZE A3	CAGE CODE 00779	DRAWING NO C-861393	RESTRICTED TO -
CUSTOMER DRAWING			WEIGHT -	SCALE 1:1	SHEET 1 OF 1	REV E	

单击下面可查看定价，库存，交付和生命周期等信息

[>>TE Connectivity\(泰科\)](#)