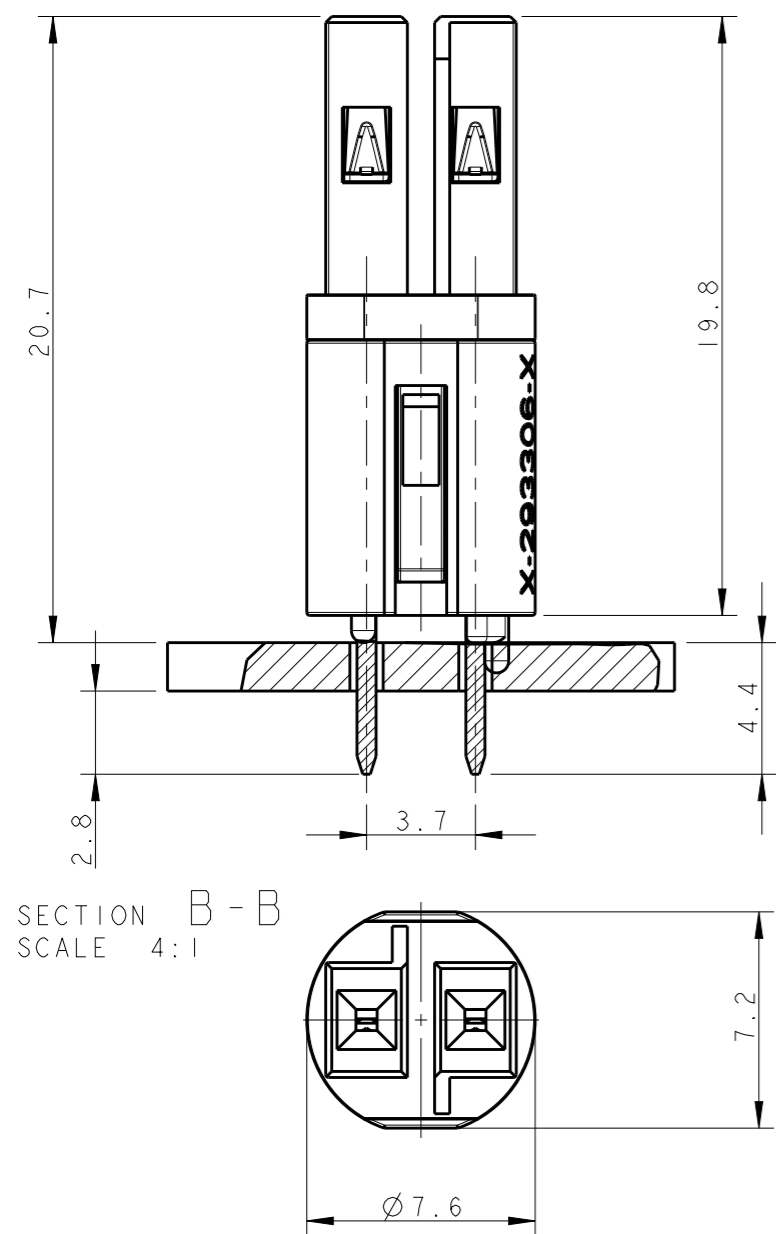
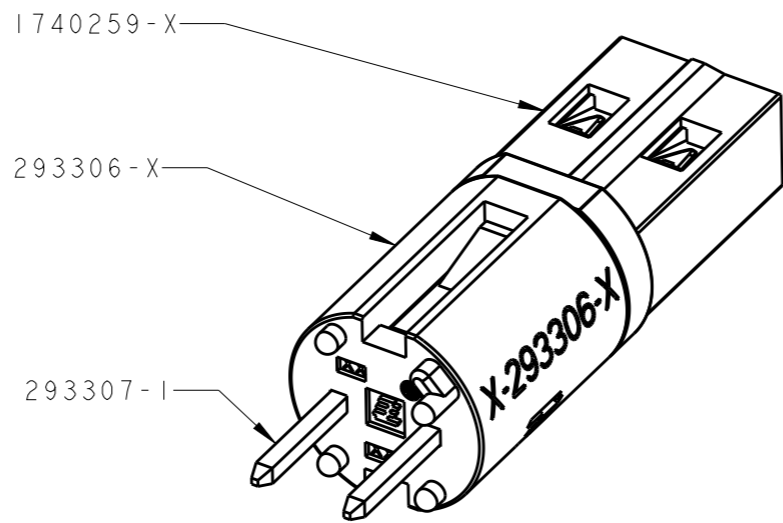


THIS DRAWING IS UNPUBLISHED. RELEASED FOR PUBLICATION 20  
 © COPYRIGHT 20 BY - ALL RIGHTS RESERVED.

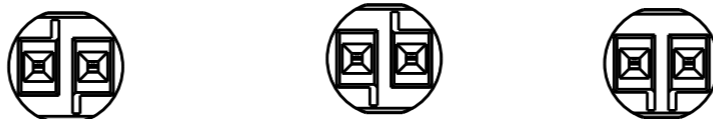
LOC	DIST	REVISIONS			
P	LTR	DESCRIPTION	DATE	DWN	APVD
		D2	UPDATED VIEW SCALE	23FEB2010	AV GT
		D4	REVISED MARKS ON -5 WAS MARKED AC	17OCT2011	AV GT
		D4	REVISED PER ECR-13-009678	18SEP2013	RS DD
		D5	ECR-16-004670	04APR2016	RS JL

TYPICAL APPLICATION



HIGH VOLTAGE

KEYING HV-1    KEYING HV-2    KEYING HV-3



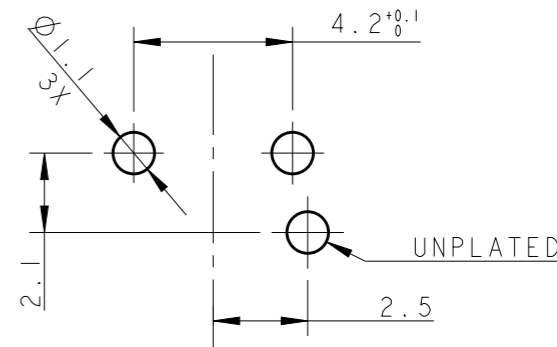
LOW VOLTAGE

KEYING LV-1    KEYING LV-2



PRINTED CIRCUIT BOARD LAYOUT FOR LOW VOLTAGE VERSION

TOLERANCES UNLESS OTHERWISE SPECIFIED ± 0.05  
 PRINTED CIRCUIT BOARD THICKNESS: 1.6 mm NOMINAL



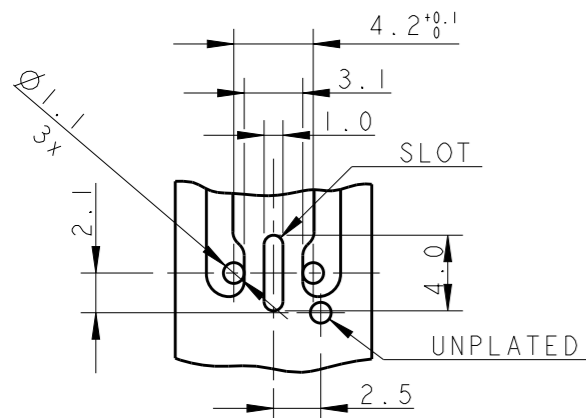
1) MATERIALS:

CONTACTS: SOLDERING SIDE TIN PLATED Ph. BRONZE  
 RECEPTACLE IN SPECIAL ALLOY COPPER TIN PLATED  
 HOUSING: PA66 GFF25 UL 94 V0

2 OBSOLETE.

PRINTED CIRCUIT BOARD LAYOUT FOR HIGH VOLTAGE VERSION

TOLERANCES UNLESS OTHERWISE SPECIFIED ± 0.05  
 PRINTED CIRCUIT BOARD THICKNESS: 1.6 mm NOMINAL



KEYING	REMARKS	PART NUMBER	REV	COLOR
LV-2	LOW-VOLT 42 V DC	293308-6	D	YELLOW
2	LV-1	LOW-VOLT 42 V DC	D	LIGHT GREY
2	HV-2	SWITCH MAX 7A	D	RED
2	HV-3	HIGH-VOLT 125 V AC	D	BLUE
	HV-1	HIGH-VOLT 250 V AC	D	BLACK
	HV-1	HIGH-VOLT 250 V AC	D	WHITE

THIS DRAWING IS A CONTROLLED DOCUMENT.

DIMENSIONS: mm	TOLERANCES UNLESS OTHERWISE SPECIFIED:
	0 PLC ±0.5
	1 PLC ±0.5
	2 PLC ±0.3
	3 PLC ±0.3
	4 PLC ±0.3
	ANGLES ±0.5°
MATERIAL	FINISH

DWN	R. FRABONI	15 JUN 2007
CHK	-	-
APVD	G. TURCO	-
PRODUCT SPEC	108-94018	-
APPLICATION SPEC	114-32102	-
WEIGHT	-	-
CUSTOMER DRAWING		



NAME			
7,5 mm PCB CONNECTOR ASSEMBLY STRAIGHT FEMALE VERSION			
SIZE	CAGE CODE	DRAWING NO	RESTRICTED TO
A300779	C-293308		-
SCALE 5:1		SHEET 1 OF 1	REV D5

单击下面可查看定价，库存，交付和生命周期等信息

[>>TE Connectivity\(泰科\)](#)