

THIS DRAWING IS UNPUBLISHED.

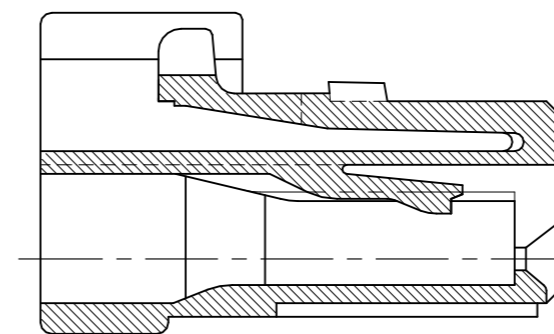
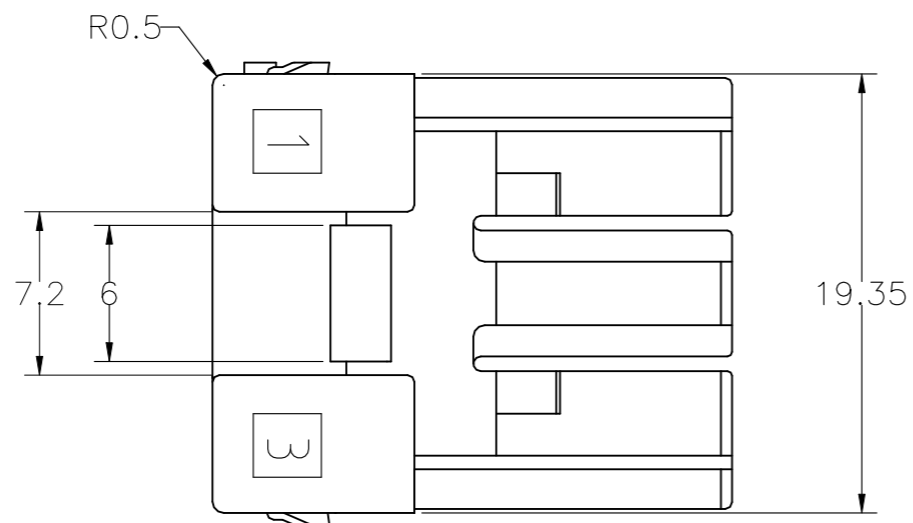
RELEASED FOR PUBLICATION

REVISIONS

© COPYRIGHT - TE Connectivity Ltd.

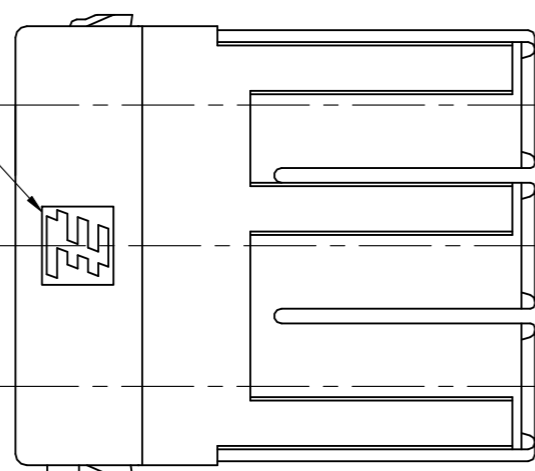
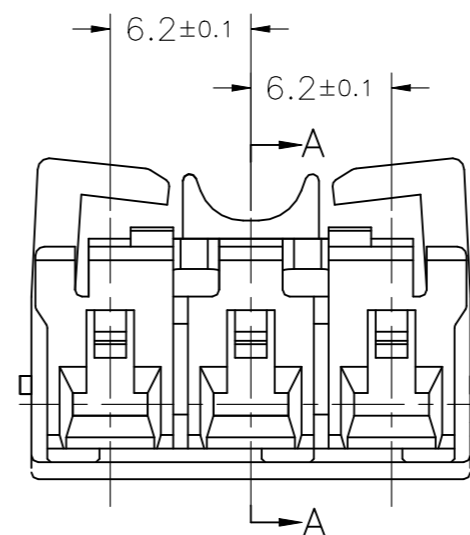
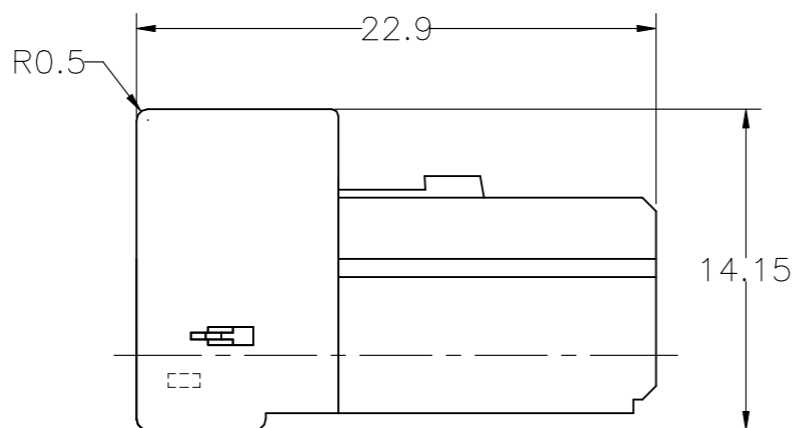
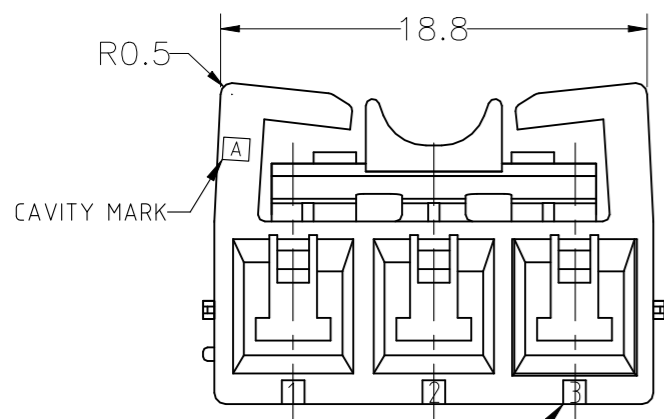
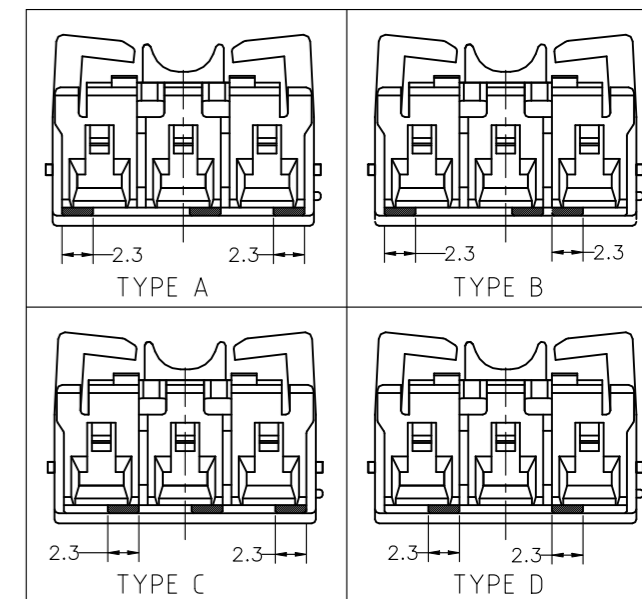
ALL RIGHTS RESERVED.

P	LTR	DESCRIPTION	DATE	DWN	APVD
D		REVISED PER ECR-19-008563	22DEC2020	SC	D.Z



断面 A-A
SECT A-A

TYPE OF KEYING



- 注) 1.一般公差:±0.25
 2.材料: 66ナイロン ガラス無(UL94V-0)
 3.適用リセコンタクト製品型番: 1746971-1
 1746972-1
 4.かん合相手製品型番
 キャップハウジング: TABLE参照のこと
 タブコンタクト: 1746973-1
 1746974-1

- NOTES)
 1.GENERAL TOLERANCE : ±0.25
 2.MATERIAL : 66 NYLON NON-GLASS FILLED (UL94V-0)
 3.APPLICABLE RECEPTACLE P/N :1746971-1
 1746972-1
 4. MATING CONN. P/N
 CAP HOUSING : SEE TABLE
 TAB CONTACT : 1746973-1
 1746974-1
 5. PRELIMINARY NOT FOR PRODUCTION

1-1746978-1	△	A	NATURAL	1-1871867-1	△
1746978-1		A	NATURAL	1871867-1	
△ MATING HSG P/N		KEYING TYPE	COLOR	P/N	

THIS DRAWING IS A CONTROLLED DOCUMENT.		DWN A.HIROTA 6SEP2005	TE Connectivity GRACE INERTIA CONNECTOR 6.2MM PITCH 3POS PLUG HOUSING		
DIMENSIONS: 単位: 耗 mm		CHK N.YAMASAKI 6SEP2005			
TOLERANCES UNLESS OTHERWISE SPECIFIED: 一般公差		APVD N.YAMASAKI 6SEP2005	NAME 名称		
0 PLC ± -		PRODUCT SPEC 製品規格 108-5979	DRAWING NO 番号		
1 PLC ± -		APPLICATION SPEC 取付適用規格 114-5356	SIZE A3	CAGE CODE 00779	RESTRICTED TO -
2 PLC ± -		WEIGHT -	DRAWING NO 番号		
3 PLC ± -		SCALE 尺度 3:1			
4 PLC ± -		SHEET 1 OF 2			
ANGLES ± -		REV D			
FINISH 仕上 -		CUSTOMER DRAWING			
MATERIAL 材料 66NYLON(UL94V-0)					

THIS DRAWING IS UNPUBLISHED.

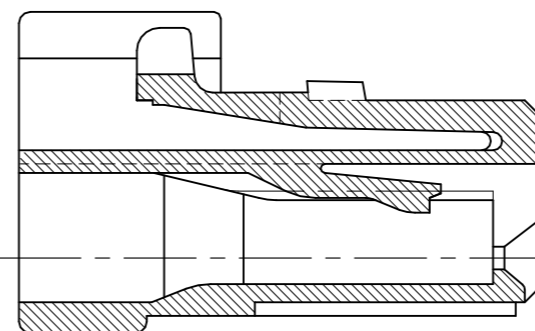
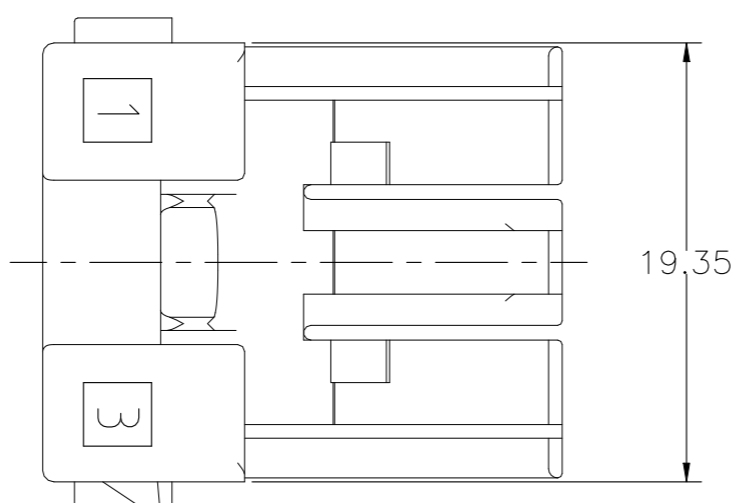
RELEASED FOR PUBLICATION

REVISIONS

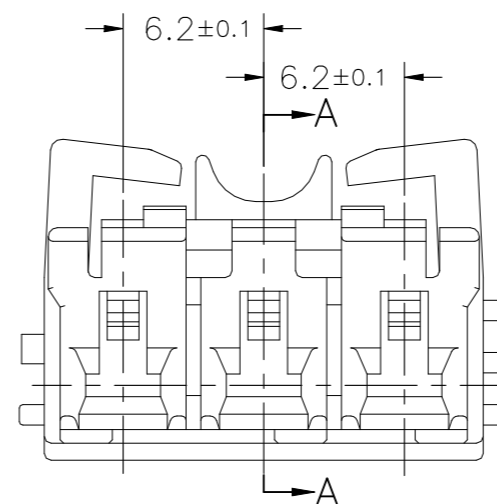
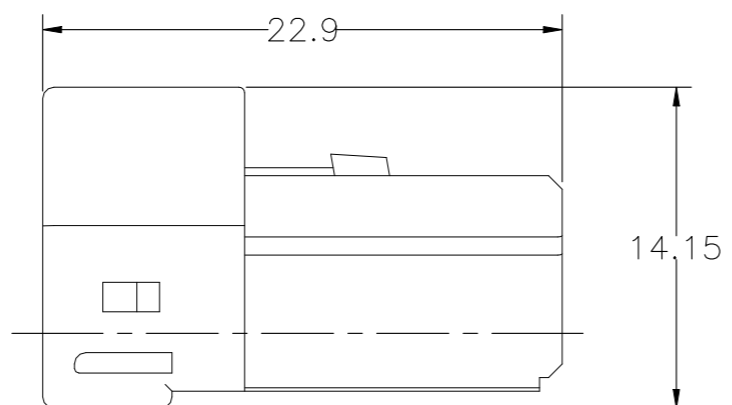
© COPYRIGHT - TE Connectivity Ltd.

ALL RIGHTS RESERVED.

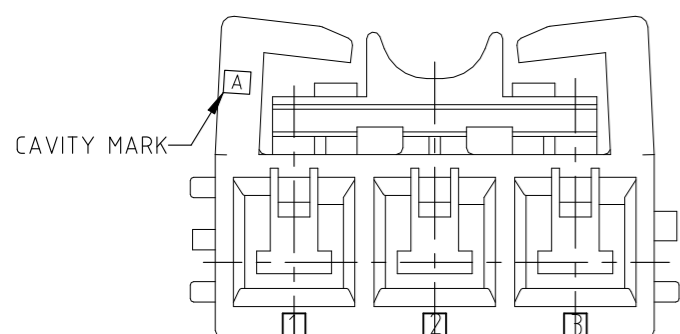
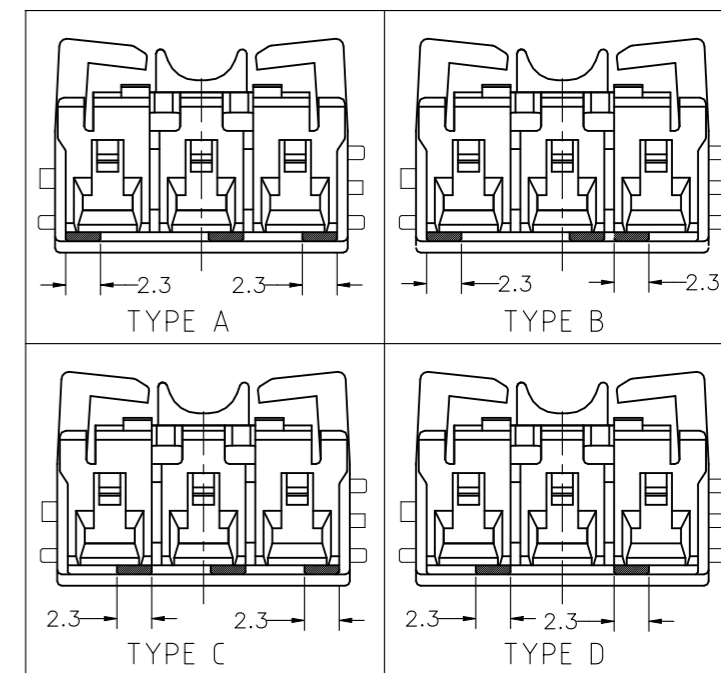
P	LTR	DESCRIPTION	DATE	DWN	APVD
-	-	SEE SHEET 1	-	-	-



断面 A-A
SECT A-A



TYPE OF KEYING



回路番号
CIRCUIT NO.

TRADE MARK

NOTES)
MATING TPA P/N: 1-2232564-1

4-1746978-1	A	NATURAL	4-1871867-1
MATING HSG P/N	KEYING TYPE	COLOR	P/N

THIS DRAWING IS A CONTROLLED DOCUMENT.		DWN A.HIROTA 6SEP2005	STE TE Connectivity	
DIMENSIONS: 単位: 耗 mm		CHK N.YAMASAKI 6SEP2005		
TOLERANCES UNLESS OTHERWISE SPECIFIED: 一般公差		APVD N.YAMASAKI 6SEP2005	NAME 名称 GRACE INERTIA CONNECTOR 6.2MM PITCH 3POS PLUG HOUSING	
0 PLC ± - 1 PLC ± - 2 PLC ± - 3 PLC ± - 4 PLC ± - ANGLES ± -		PRODUCT SPEC 製品規格 108-5979	DRAWING NO 番号 A300779 C-1871867	
MATERIAL 材料 66NYLON(UL94V-0)		FINISH 仕上 -	APPLICATION SPEC 取付適用規格 114-5356	RESTRICTED TO -
		WEIGHT -	SCALE 尺度 3:1	SHEET 2 OF 2
		CUSTOMER DRAWING		REV C3

单击下面可查看定价，库存，交付和生命周期等信息

[>>TE Connectivity\(泰科\)](#)