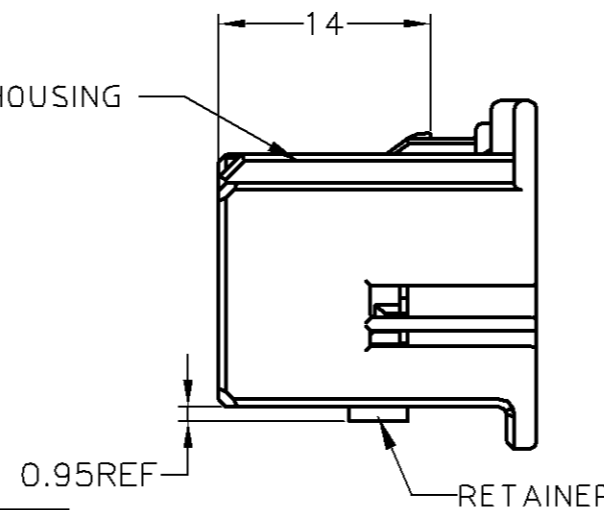
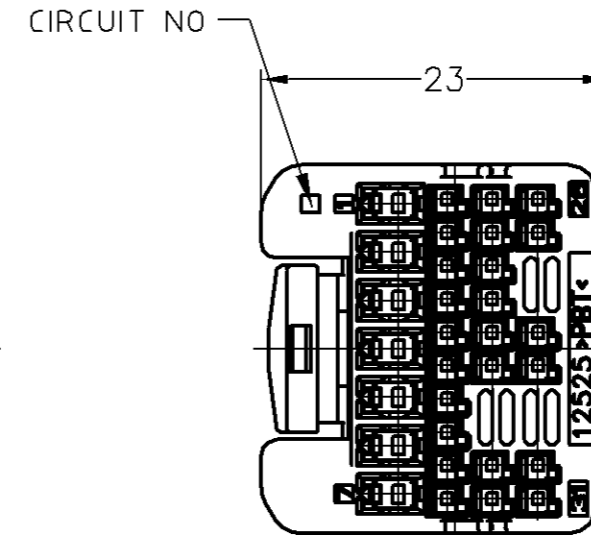
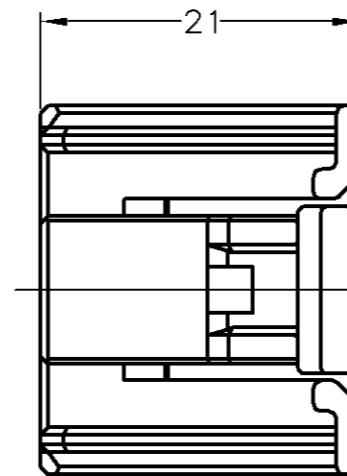
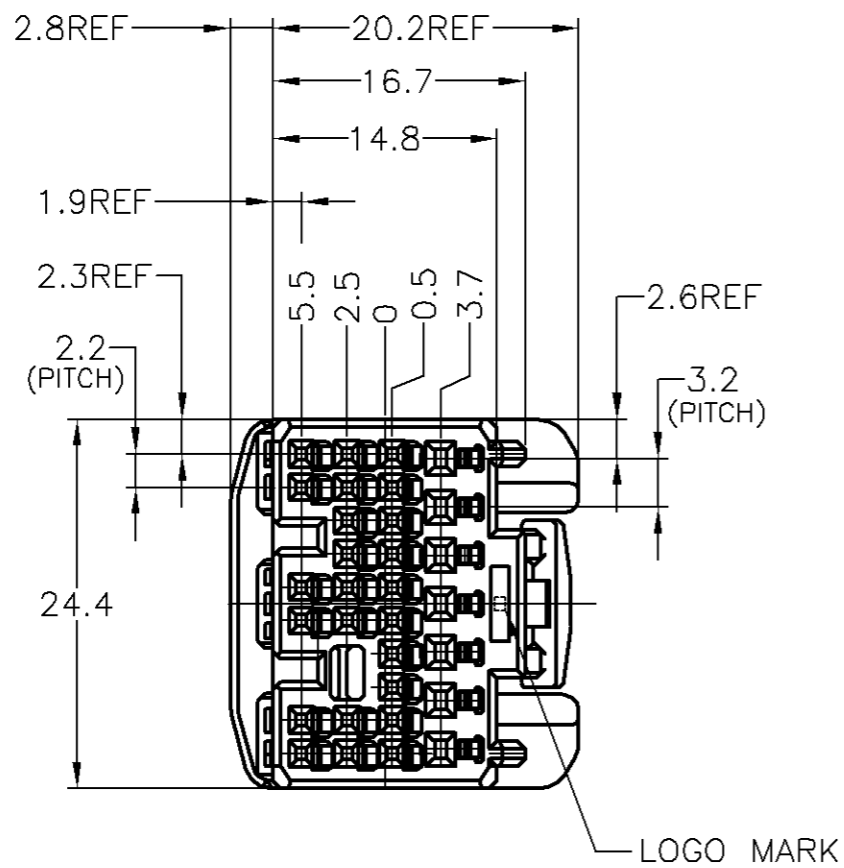


LOC J	DIST /	REVISIONS 変更		
P	LTR	DESCRIPTION	DATE	DWN APVD
	A1	REVISED	ECR-11-010780	01JUN11 AY HY



- 1.RETAINER SHOULD BE SENT TO THE PRE-ASSEMBLY POSITION WITHIN THE PLUG HOUSING WHEN SHIPPED TO THE CUSTOMER
- 2.INSTRUCTION SHEET NO.411-78080
- 3.PART NUMBER OF CAP HOUSING TO BE MATED; SEE TABLE-1
- 4.APPLIED TERMINALS; SEE TABLE-2

- 1.プラグハウジングにリテーナを仮係止して出荷される
- 2.取扱説明書NO.411-78080
- 3.嵌合相手型番; TABLE-1参照
- 4.適用端子; TABLE-2参照

TABLE-1

POS 極数	CAP ASSEMBLY PART NO キャップ型番
200	1473649
167	1318813
167 (STD)	1612435
135	1376430
70	1473193

TABLE-2

		TERMINAL PART NO 端子型番	APPLICABLE WIRE RANGE 適用電線
SIGNAL 0.64 III	TIN	1674311-1	AVSS/CAVS/CAVUS/AVSSH-f 0.3~0.5mm <sup>2</sup>
	SELECTIVE GOLD	1674311-2	
	TIN	1674936-1	CAVS/CAVUS/CHFUS 0.22mm <sup>2</sup>
	SELECTIVE GOLD	1674936-2	
POWER 1.0 III	SELECTIVE GOLD	316837-2	AVSS/CAVS/CAVUS 0.3~0.85mm <sup>2</sup> AVS 0.3~0.5mm <sup>2</sup>
		316836-1	
	TIN	316838-1	AVS 0.5mm <sup>2</sup> AVSS/CAVS 0.85~1.25mm <sup>2</sup> CAVUS 1.25mm <sup>2</sup>

PAPER BOX ダンボール	PLASTIC BAG ビニール袋	BLACK	1674919-2
PAPER BOX ダンボール	PLASTIC BAG ビニール袋	NATURAL	1674919-1
OUTER 外装	INNER 内装	COLOR	PART NUMBER
PACKING STYLE 梱包形態			

THIS DRAWING IS A CONTROLLED DOCUMENT.

DIMENSIONS: 単位: 耗 mm	TOLERANCES UNLESS OTHERWISE SPECIFIED: 一般公差 ±0.3
	0-PLG ±
	1-PLG ±
	2-PLG ±
	3-PLG ±
	4-PLG ±
	ANGLES ±3°
MATERIAL 材料 PBT	FINISH 仕上 SEE TABLE

DWN S.AMEMIYA	15OCT03
CHK H.YAMAGAMI	15OCT03
APVD K.ASAI	15OCT03
PRODUCT SPEC 製品規格 108-5877	
APPLICATION SPEC 取付適用規格 114-5217,5329	
WEIGHT 5.6g	

<b>TE</b> TE Connectivity			
NAME 0.64III/1.0III CONNECTOR PLUG HOUSING ASSY 31P			
SIZE A3	CAGE CODE 00779	DRAWING NO C-1674919	RESTRICTED TO
SCALE 尺度 2:1		SHEET 1 of 1	REV A1

单击下面可查看定价，库存，交付和生命周期等信息

[>>TE Connectivity\(泰科\)](#)