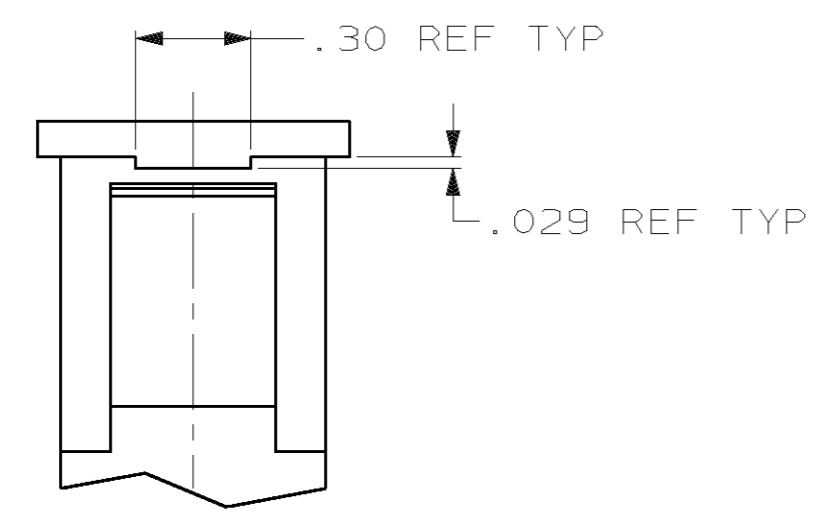
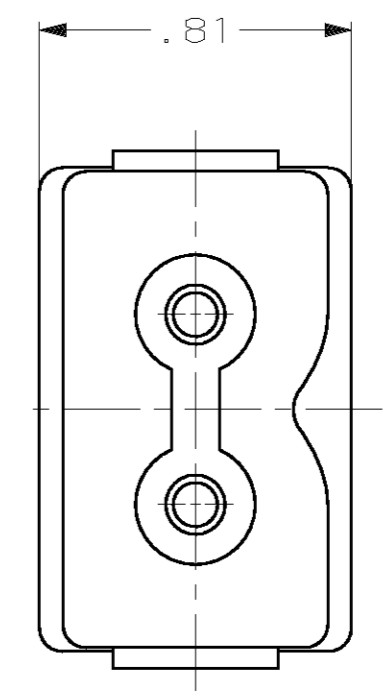
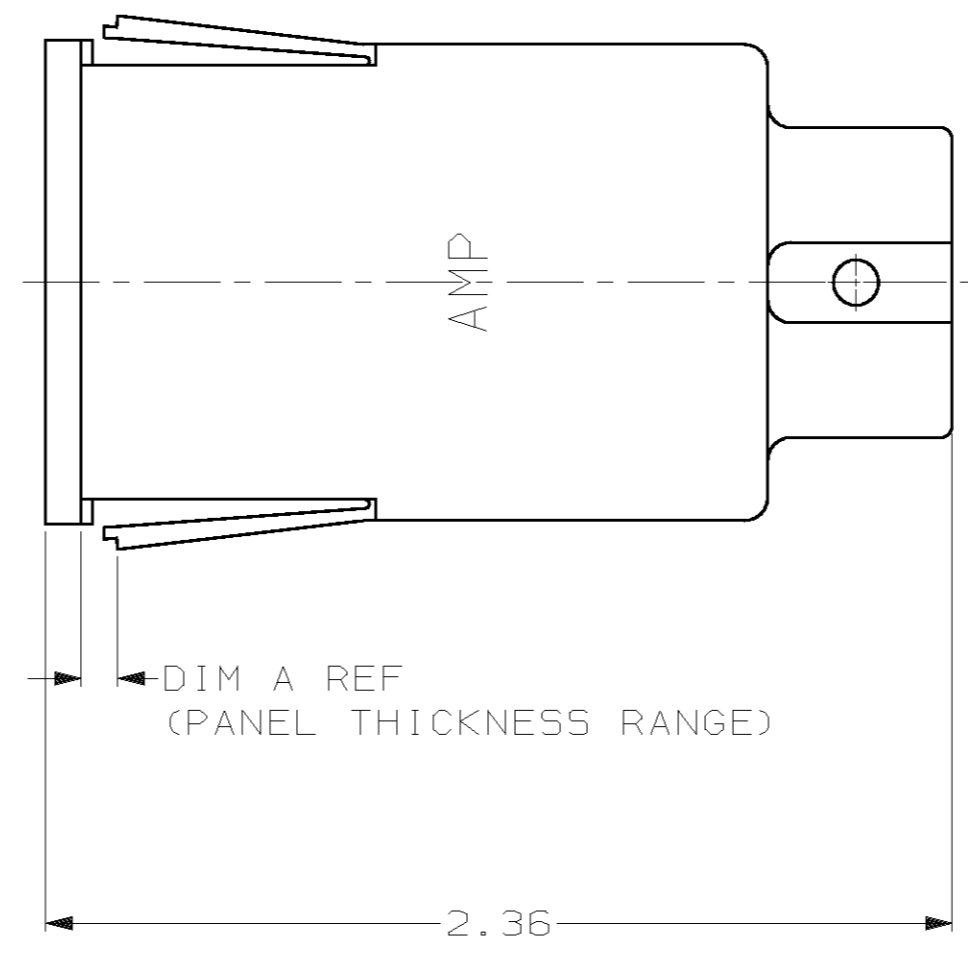
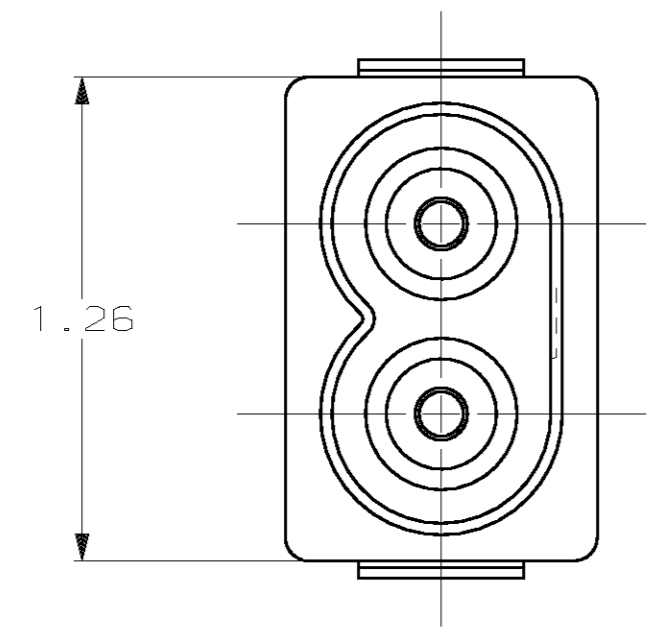
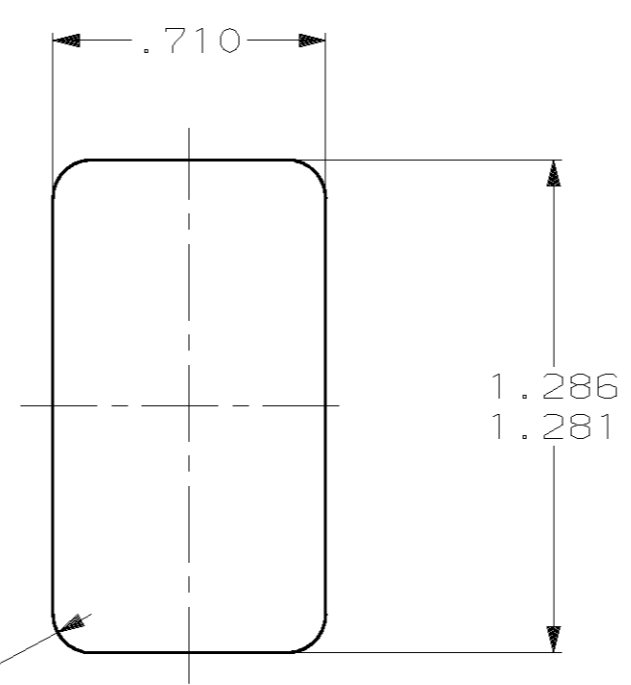


THIS DRAWING IS UNPUBLISHED. RELEASED FOR PUBLICATION ,19 .
 (C) COPYRIGHT 19 BY AMP INCORPORATED. ALL RIGHTS RESERVED.

LOC	DIST	REVISIONS			
P	LTR	DESCRIPTION	DATE	DWN	APVD
DF	50				
		D	REV PER 063D-0181-03	4-03	CT DE



.30 TAB ON ALL
DASH NUMBERS EXCEPT -2



RECOMMENDED
PANEL CUTOUT

	.051-.065	862382-9
	.051-.065	862382-8
	.051-.065	862382-7
	.082-.096	862382-6
OBsolete	.024-.038	862382-5
	.051-.065	862382-4
	.082-.096	862382-3
	.024-.038	862382-2
	.051-.065	862382-1
	DIM A	PART NO.

THIS DRAWING IS A CONTROLLED DOCUMENT.

DWN	C.C. THOMAS	4-21-03	 TYCO Electronics Harrisburg, PA 17105-3608
CHK	D.EABY	4-21-03	
APVD	D.EABY	4-21-03	
NAME			
DIMENSIONS:	TOLERANCES UNLESS OTHERWISE SPECIFIED:	PRODUCT SPEC	RECEPTACLE HOUSING, 2 CAVITY, LGH
INCHES	0 PLC ±-	APPLICATION SPEC	SIZE
	1 PLC ±-		CAGE CODE
	2 PLC ±.03		DRAWING NO
	3 PLC ±.015		RESTRICTED TO
	4 PLC ±-		SCALE
	ANGLES ±-		SHEET
MATERIAL	COLOR	WEIGHT	REV
VALOX	BLACK	-	D
CUSTOMER DRAWING			SCALE 2:1 SHEET 1 OF 1 REV D

单击下面可查看定价，库存，交付和生命周期等信息

[>>TE Connectivity\(泰科\)](#)