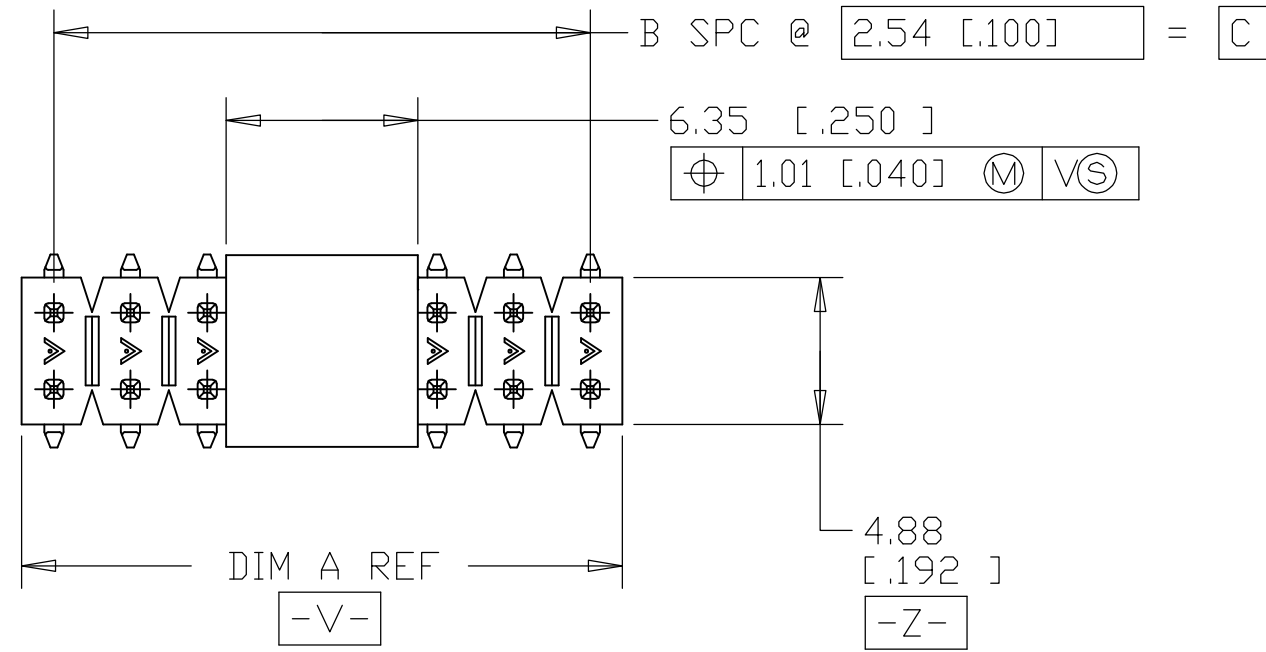
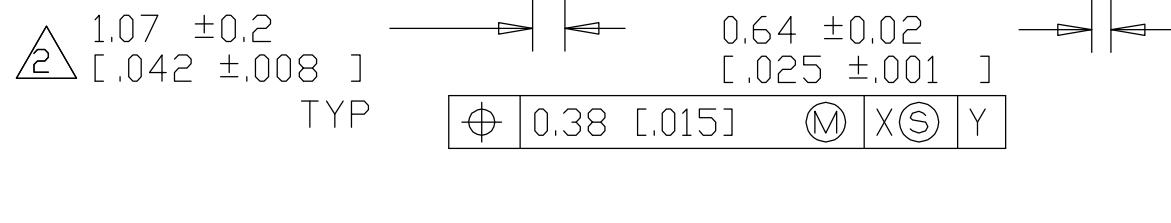
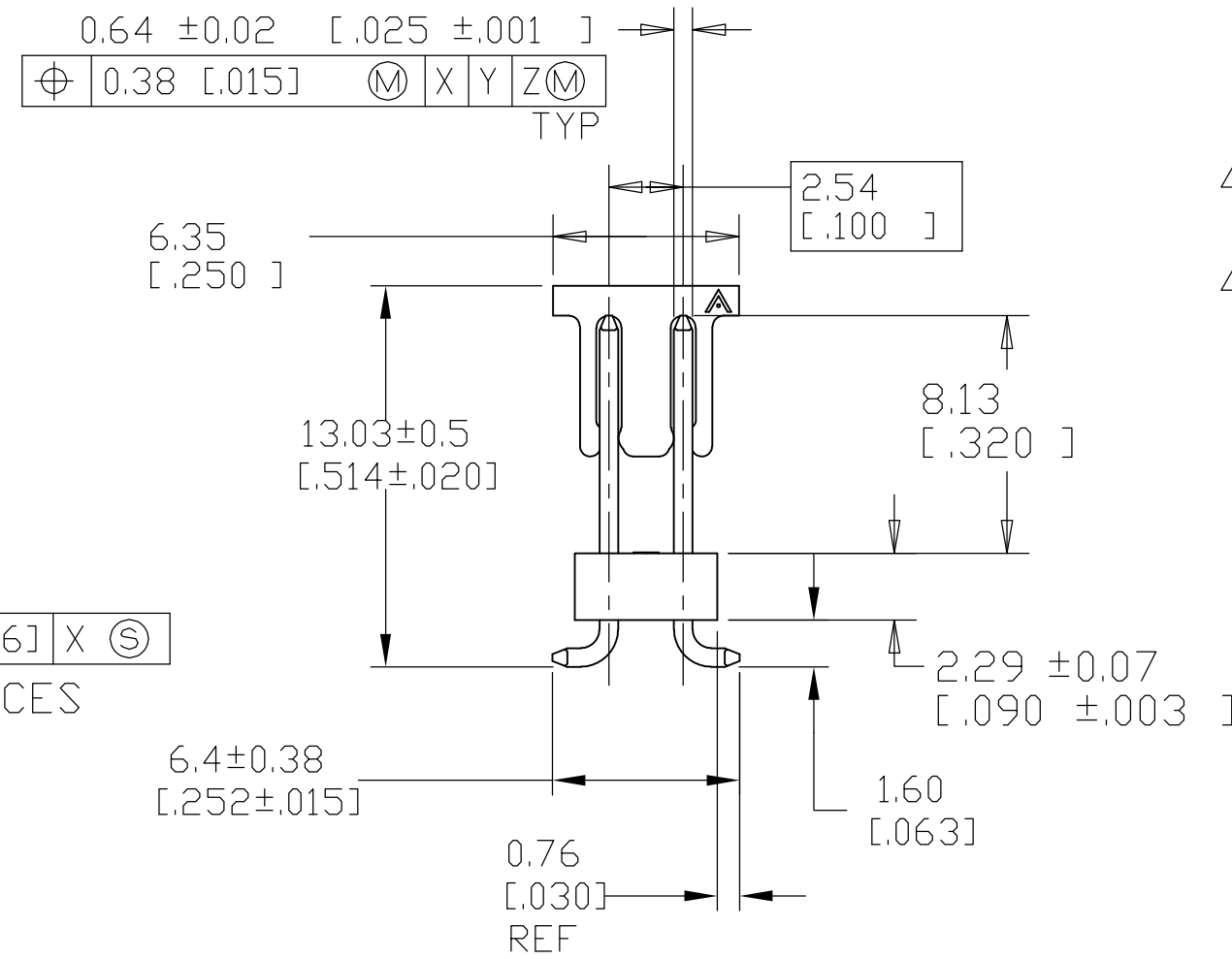
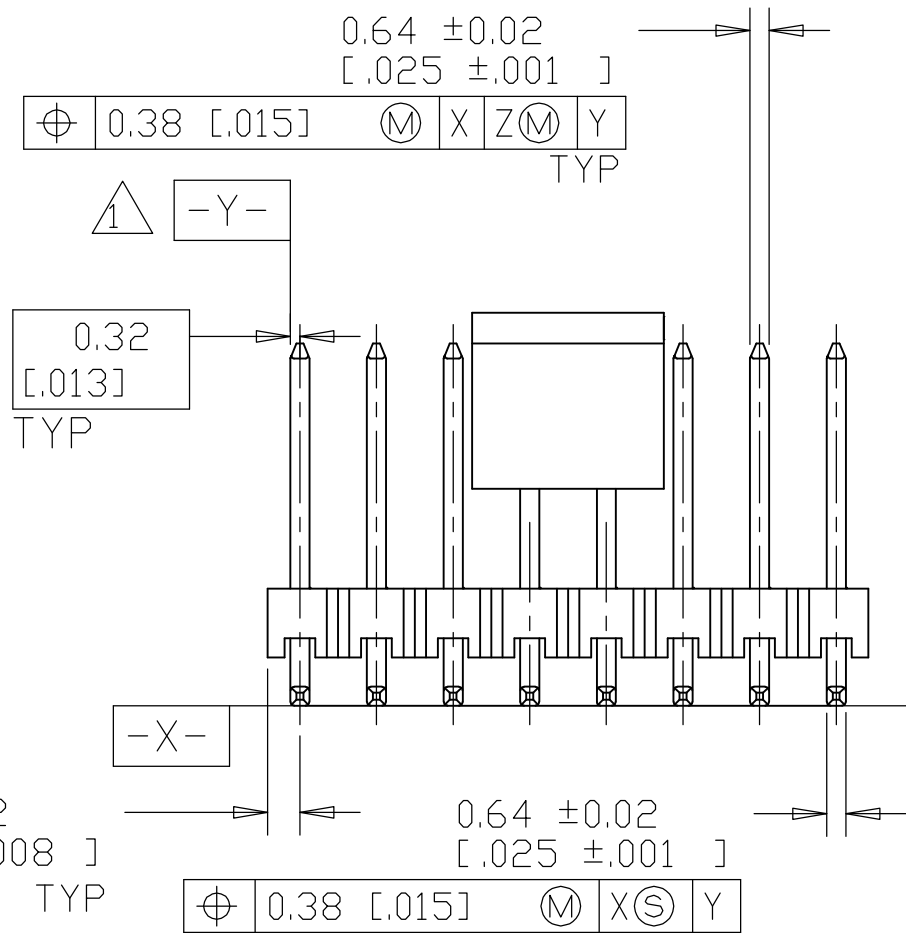


THIS DRAWING IS UNPUBLISHED. RELEASED FOR PUBLICATION  
 © COPYRIGHT BY TYCO ELECTRONICS CORPORATION. ALL RIGHTS RESERVED.

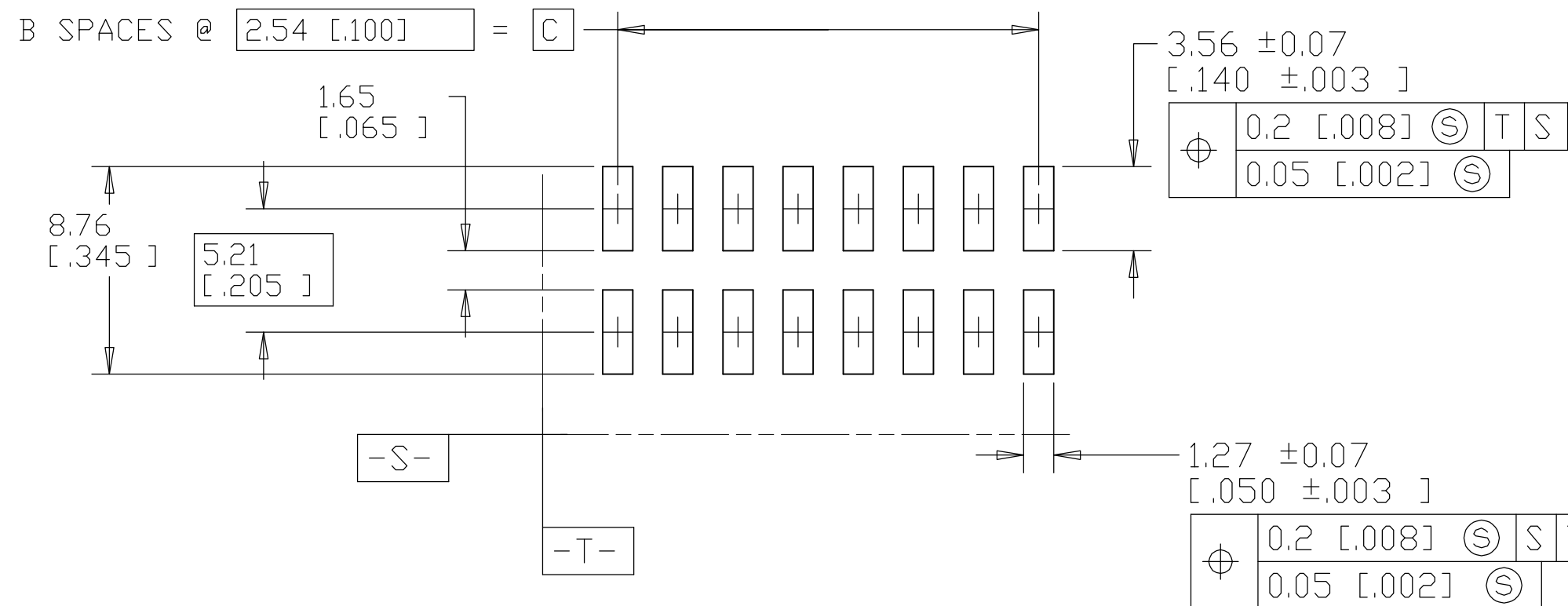
LOC		DIST		REVISIONS			
P	LTR	DESCRIPTION		DATE	DWN	APVD	
	C	ECO-07-010885		09MAY07	MB	JG	



- 1 [-Y-] SHALL BE THE INTERSECTION OF THE POST AND THE HOUSING.
- 2 THE NOTED DIMENSIONS APPLY FROM THE BASIC DIMENSION (NOT THE POST CENTERLINE) TO THE SURFACE INDICATED.
- 3 0.00254-0.00508 [0.00100-.000200] MATTE TIN-LEAD OVER 0.00127 [0.00050] NICKEL, ENTIRE POST.
- 4 HOUSING: LCP, COLOR-BLACK.  
POST: PHOSPHOR BRONZE.  
PICK AND PLACE CAP: PPA, COLOR-BLACK.
- 5. PACKAGED IN TAPE AND REEL PER EIA-481 SPECIFICATIONS. SEE TABLE FOR WIDTHS.
- 6 0.00254-0.00508 [0.00100-.000200] MATTE TIN OVER 0.00127 [0.00050] NICKEL, ENTIRE POST.
- 7 PRELIMINARY PART - NOT RELEASED FOR PRODUCTION.



0.15 [0.006] X (S)  
ALL SURFACES



RECOMENDED PCB LAYOUT FOR USE WITH 0.20 [0.008] THICK STENCIL

7	6	44 mm	17.78 [0.700]	7	19.91 [0.784]	16	5-1571878-1
	3	56 mm	20.32 [0.800]	8	22.45 [0.884]	18	1571878-2
	3	44 mm	17.78 [0.700]	7	19.91 [0.784]	16	1571878-1
PLATING	TAPE WIDTH	C	B	A	NO OF POSN	PART NUMBER	

THIS DRAWING IS A CONTROLLED DOCUMENT.		DWN	M.BINNER	17JUN04	Tyco Electronics Corporation Harrisburg, Pa 17105-3608
DIMENSIONS: mm [INCHES]		CHK	J.GESFORD	17JUN04	
TOLERANCES UNLESS OTHERWISE SPECIFIED:		APVD	J.GESFORD	17JUN04	
0 PLC ± - 1 PLC ± - 2 PLC ± - 3 PLC ± 0.13[0.005] 4 PLC ± - ANGLES ± - FINISH SEE TABLE		PRODUCT SPEC	NAME		
MATERIAL		APPLICATION SPEC	SURFACE MOUNT HDR ASSY, MOD II, B/A VERT, D/R. .100C/L, .025 SQ POST, WITH PICK AND PLACE CAP		
4		WEIGHT	A2 00779 C=1571878		RESTRICTED TO
CUSTOMER DRAWING		SCALE	4:1	SHEET	1 OF 1

单击下面可查看定价，库存，交付和生命周期等信息

[>>TE Connectivity\(泰科\)](#)