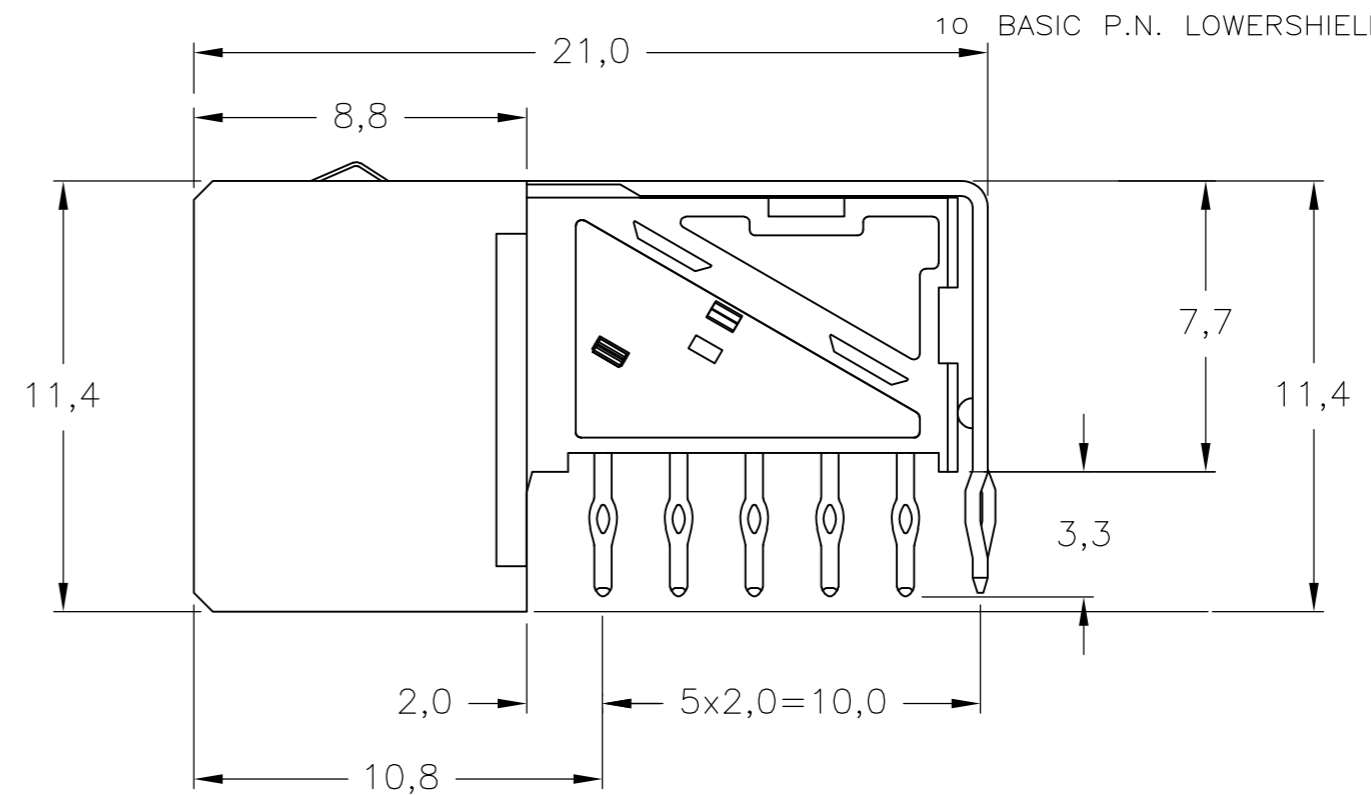
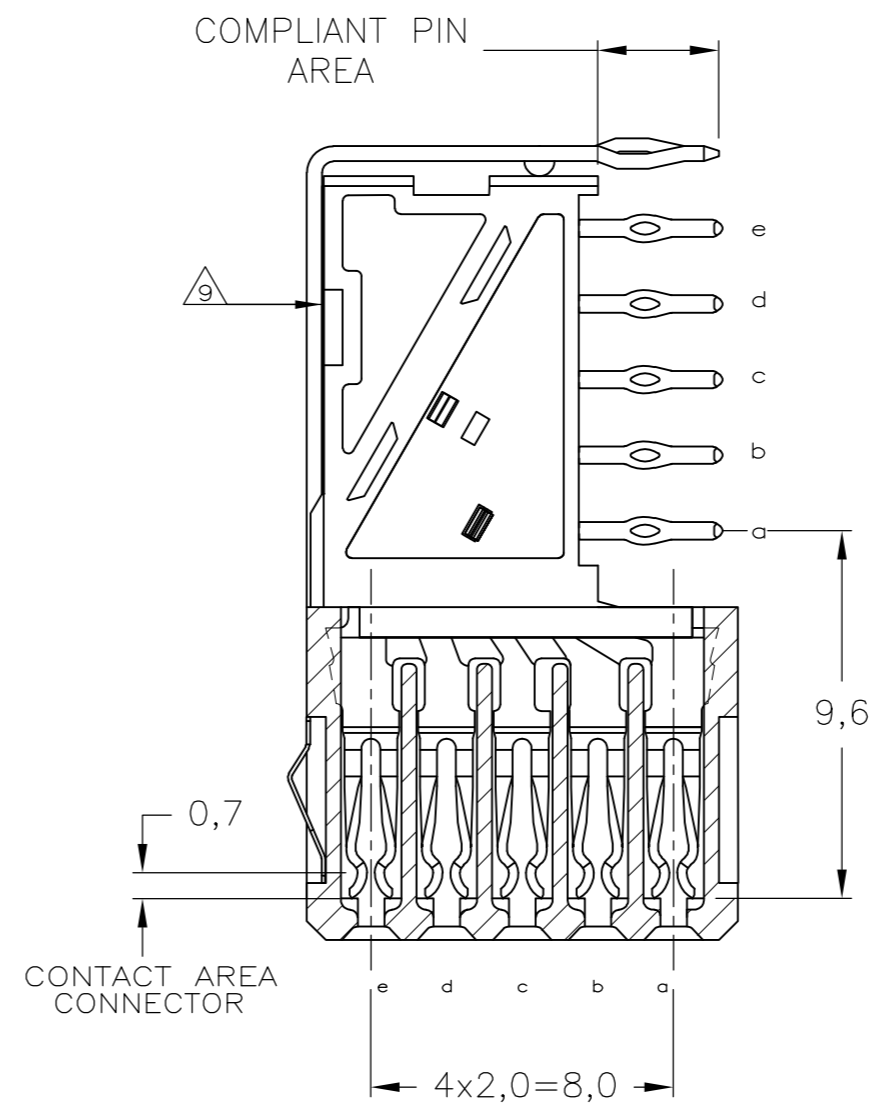
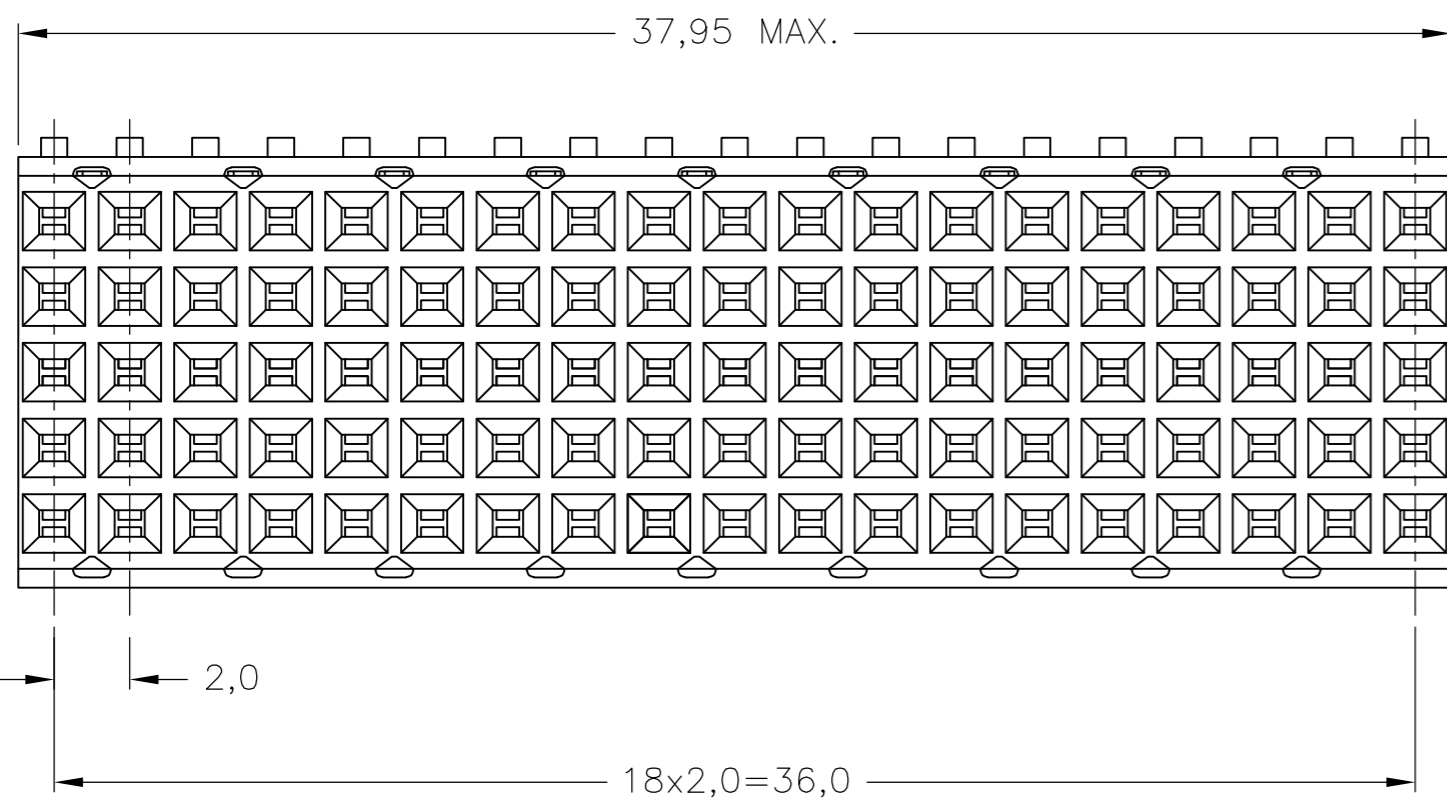
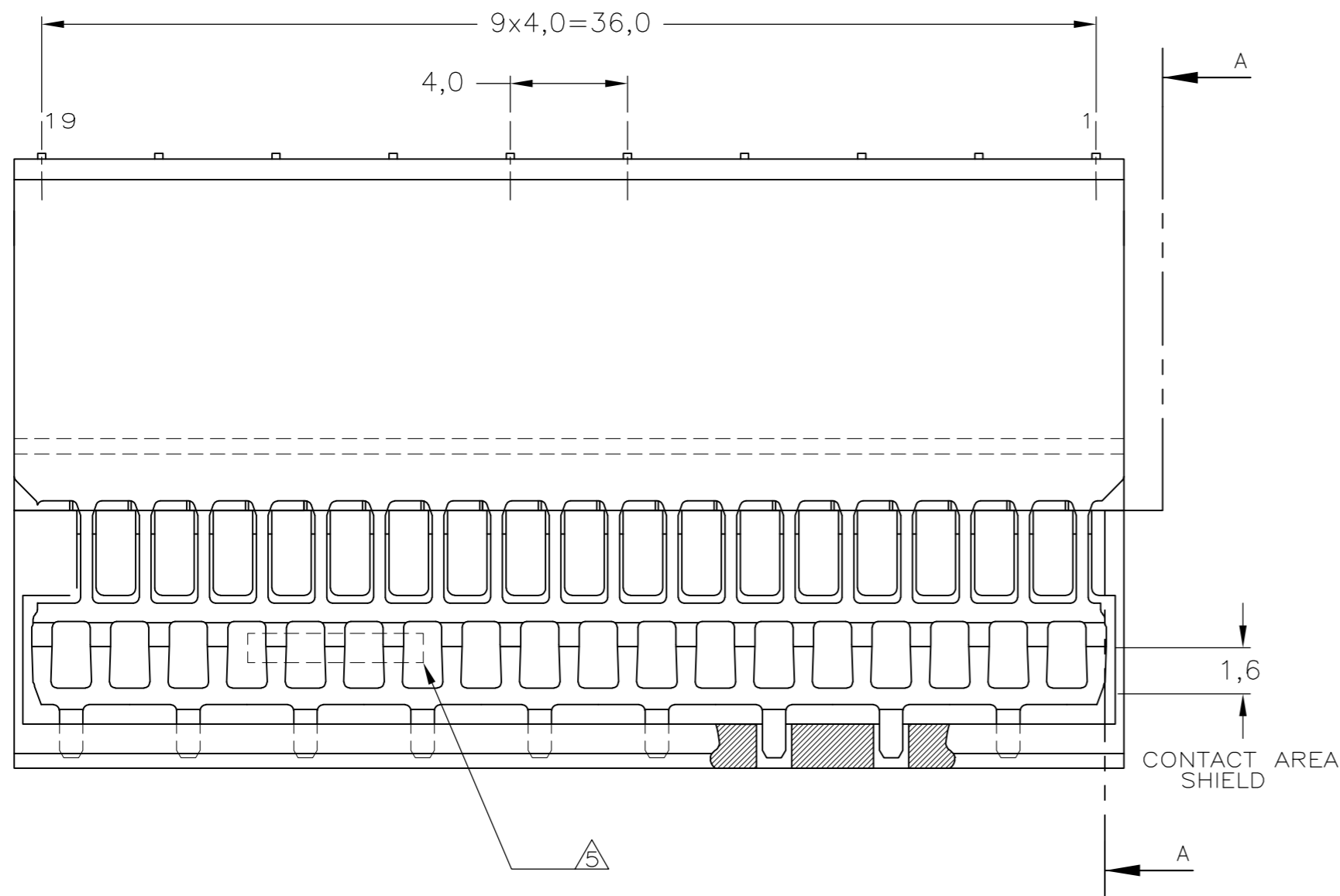


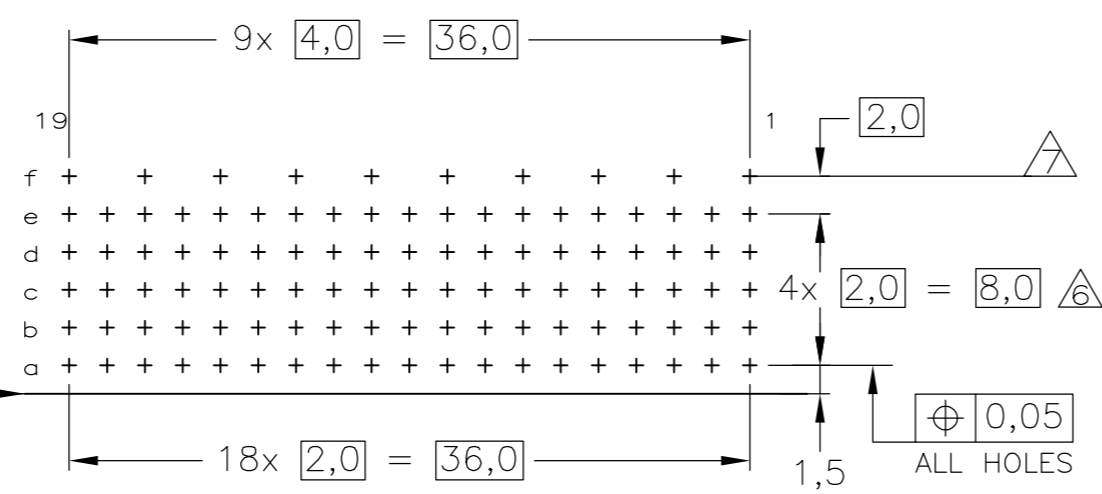
THIS DRAWING IS UNPUBLISHED. RELEASED FOR PUBLICATION  
 © COPYRIGHT BY TYCO ELECTRONICS CORPORATION. ALL RIGHTS RESERVED.

LOC	DIST	REVISIONS					
		P	LTR	DESCRIPTION	DATE	DWN	APVD
H	-		A1	ECR-07-024984	19OCT2007	JvH	JB
			B	ECR-10-018652	10SEP10	SW	MQW
			C	ECO-11-024491	13DEC11	SY	MQW



- NOTES:
- 1 PLATING CONNECTOR:  
CONTACT AREA: 0,76µm Au MIN. OVER 1,27 µm Ni MIN.  
COMPLIANT PIN SECTION: 0,5µm Sn MIN. OVER 1,27 µm Ni MIN.
  - 2 PLATING CONNECTOR:  
CONTACT AREA: 1,27µm Au MIN. OVER 1,27 µm Ni MIN.  
COMPLIANT PIN SECTION: 0,5µm Sn MIN. OVER 1,27 µm Ni MIN.
  - 3 PLATING SHIELD:  
CONTACT AREA: 0,76 µm Au MIN.  
COMPLIANT PIN SECTION: 0,5 µm Sn MIN.  
REMAINDER : Ni
  - 4 MATERIAL CONTACTS; PHOSPHORBRONZE  
MATERIAL HOUSING; GLASSFILLED POLYESTER (GRAY)
  - 5 ASSEMBLY PRINTED WITH P/N AND DATECODE  
THE MARKING CAN APPEAR ON THE FRONT SIDE OR BACK SIDE.
  - 6 HOLE PATTERN FOR FEMALE CONNECTOR TYPE B-19 COLUMNS  
95 PLATED-THROUGH HOLES AT 2x2mm SQUARE GRID
  - 7 ROW "f" 10 PLATED THROUGH HOLES FOR UPERSHIELD
  - 8 CONNECTOR & SHIELD LUBRICATED WITH BELLCORE  
APPROVED LUBRICANT, TECHNICAL REFERENCE  
TR-NWT-001217 ISSUE 1, SEPT. 1992.  
CONNECTOR TESTED AND QUALIFIED AGAINST BELLCORE  
QUALITY LEVEL III, CENTRAL OFFICE APPLICATIONS
  - 9 SHIELD MOUNTED ON CONNECTOR WITH DOUBLE SIDED  
ADHESIVE TAPE OR ADHESIVE.
- 10 BASIC P.N. LOWERSHIELD: 5352029

COMPONENT SIDE AS SHOWN  
 RECOMMENDED PCB-HOLE LAY-OUT  
 SCALE 2,5:1



P.C.B. HOLE DIM. COMPLIANT PIN  
 FOR DETAILS SEE  
 APPLICATION SPECIFICATION

THIS DRAWING IS A CONTROLLED DOCUMENT.		DWN	J.van Hoek	23AUG2007	Tyco Electronics Corporation 's-Hertogenbosch,5222AR-32	
DIMENSIONS: mm		CHK	B.Mooij	23AUG2007		
TOLERANCES UNLESS OTHERWISE SPECIFIED: ±0.2		APVD	J.Broeksteeg	23AUG2007		
MATERIAL: -		PRODUCT SPEC	108-19082			
FINISH: -		APPLICATION SPEC	114-19029		NAME	Z-PACK 2mm HM TYPE B - 19 COLUMNS PRE-SHIELDED RECEPTACLE
CUSTOMER DRAWING		WEIGHT	-		SIZE	A2
SCALE 5:1		SHEET 1 OF 1		REV C	CAGE CODE	00779
DRAWING NO		C=1857998		RESTRICTED TO	-	

单击下面可查看定价，库存，交付和生命周期等信息

[>>TE Connectivity\(泰科\)](#)