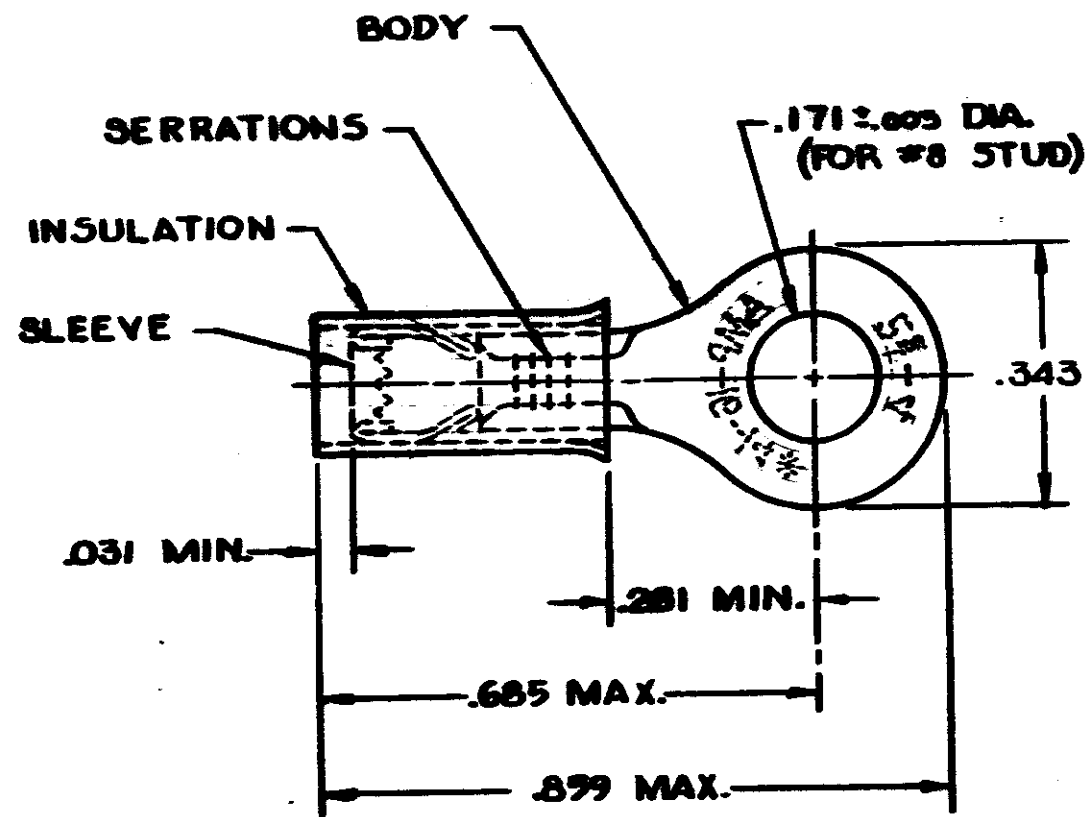


© COPYRIGHT 1971, '84
RESERVED. AMP PRODUCTS MAY BE COVERED BY U.S. AND FOREIGN PATENTS AND/OR PATENTS PENDING.

BY AMP INCORPORATED, HARRISBURG, PA. ALL INTERNATIONAL RIGHTS
RESERVED. AMP PRODUCTS MAY BE COVERED BY U.S. AND FOREIGN PATENTS AND/OR PATENTS PENDING.

REVISIONS

REV	ZONE	LTR	DESCRIPTION	DATE	APPROVED
		M	REDRAWN & REVISED PER G-1474, G-1177, PB7-0039 & PB7-0040	1/27/82	Pyrr
		N	OBSOLETE 2--7 PER G-2393	5/29/87	GS Pyrr
		P	OBS. 2--1 PER G-2609	JT 3/21/89	Pyrr
		R	OBS. 2--6, 2--3 G-4240 & G-3720	JT 10/13/89	AGD
		S	REV. PER G 3862	DKS 12-1-88	GY



WIRE INSULATION DIA. .105-.150
TONGUE MATERIAL THK. .031 ± .002

- ▲ TIN PL. (MIL-T-10727) .000100 MIN EXT THK
- ▲ GOLD PL. (MIL-G-45204) TYPE II, .000050 MIN. EXT. THK. OVER NICKEL PL. (QQ-N-290) .000030 MIN. EXT. THK.
- 3. STAMPING MAY BE ON TOP OR BOTTOM.
- ▲ FOREIGN PRODUCTION ONLY

OBSOLETE	▲	100	ON TAPE, SM. BOX	2-31899-7
OBSOLETE	▲	1000	ON TAPE, LG. BOX	2-31899-6
OBSOLETE	▲	5000	ON TAPE, REEL	2-31899-3
OBSOLETE	▲	—	LOOSE PIECE	2-31899-1
	▲	—	LOOSE PIECE	31899

FINISH	QUANTITY	DESCRIPTION	PART NO
UNLESS OTHERWISE SPECIFIED DIMENSIONS ARE IN INCHES. TOLERANCES ON: DECIMALS ± .003 ANGLES ±		CONTRACT NO DR RFB/UTA 9-16-85	AMP AMP INCORPORATED Harrisburg, Pa.
MATERIAL INSULATION: PVC - BLUE SLEEVE & BODY: COPPER (QQ-C-576)		CHK 1-27/86 P. Muth, allough APPD New Iran 01/28/86	
BODY: SEE TABLE		NAME TERMINAL, P.I.D.G., RING TONGUE WIRE SIZE: 16-14	
		SIZE B	FSCM NO 00779
		DRAWING NO 31899	
		SCALE NT5	SHEET 1 OF 1

CUSTOMER DRAWING

单击下面可查看定价，库存，交付和生命周期等信息

[>>TE Connectivity\(泰科\)](#)