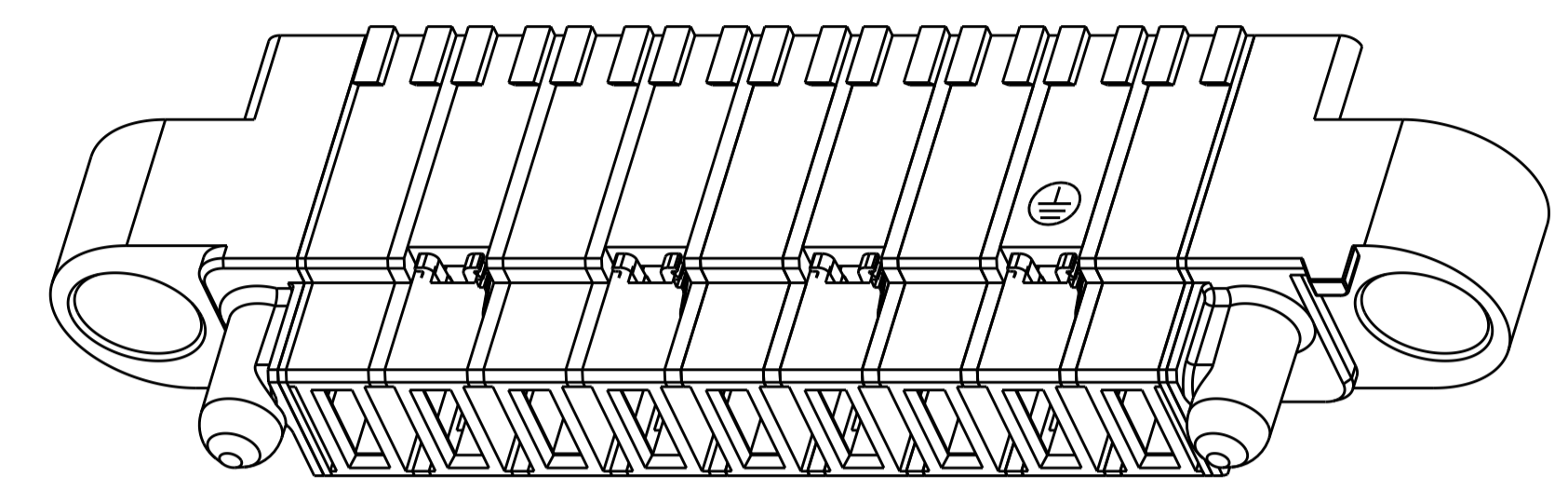
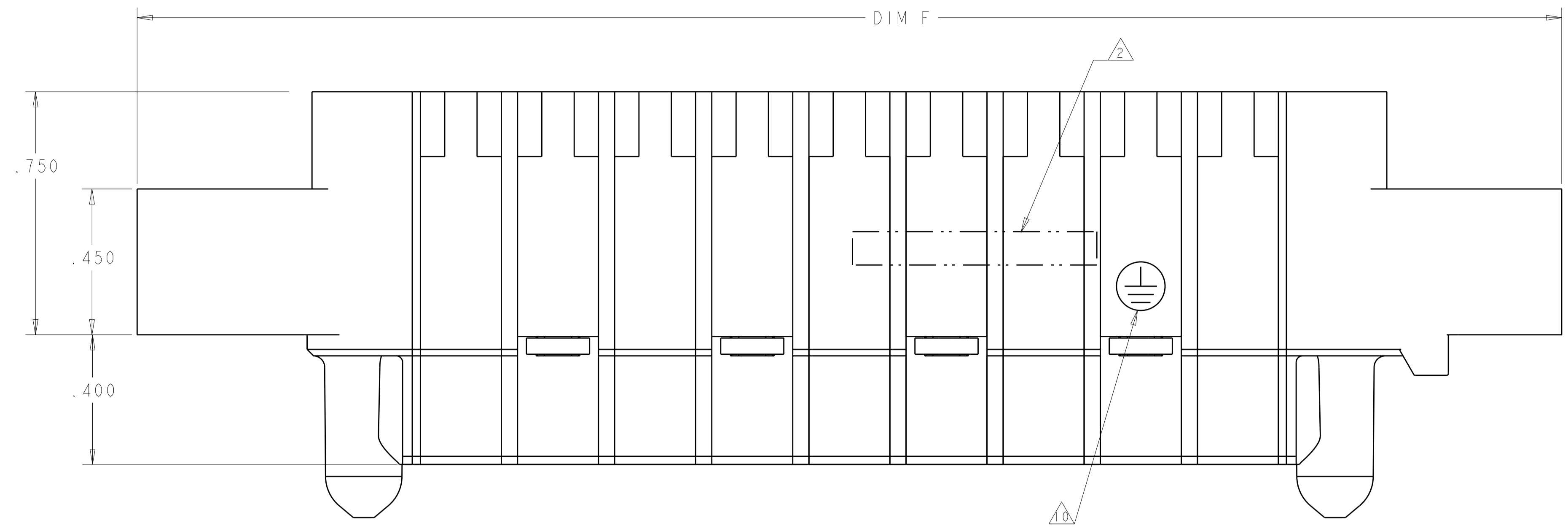
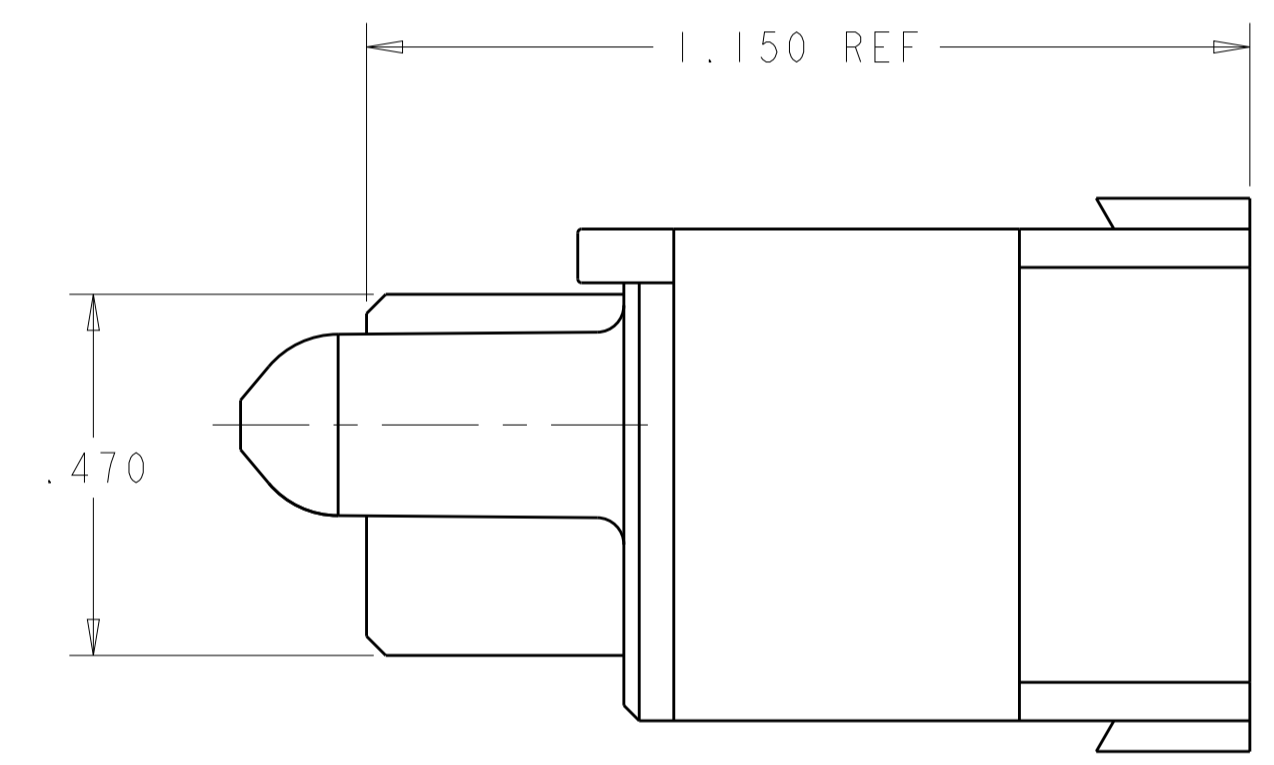
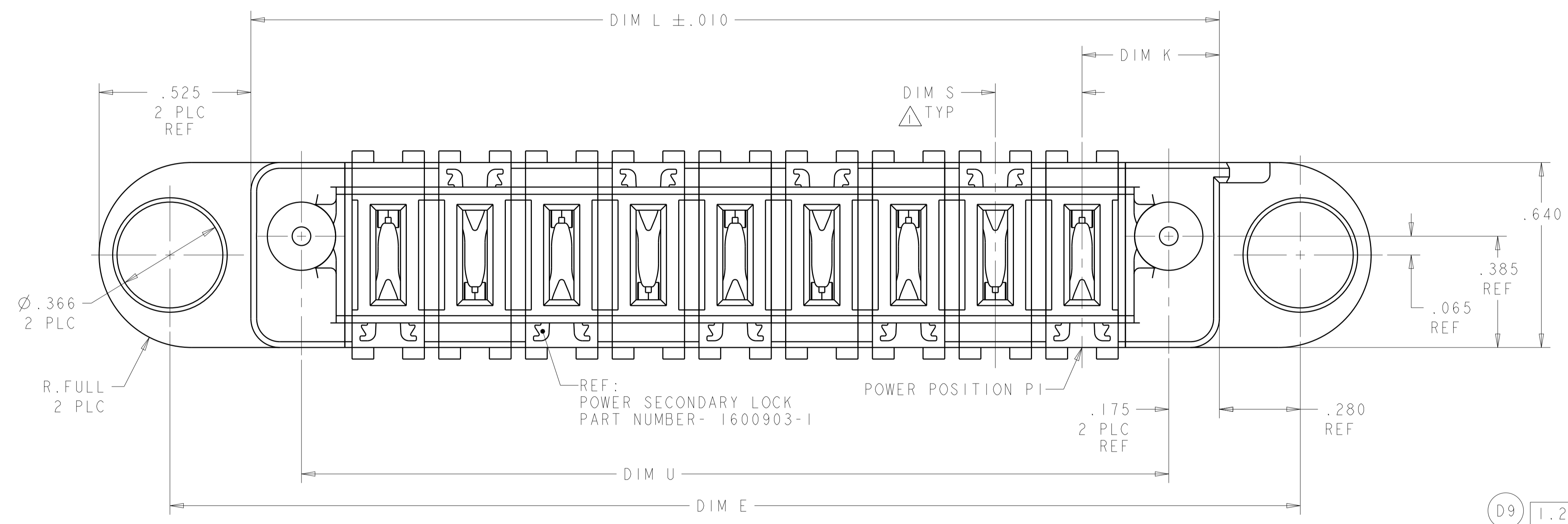


LOC		DIST		REVISIONS			
ES	00	P	LTM	DESCRIPTION	DATE	DWN	APVD
		D6		REV PER ECR-12-018227	24OCT2012	CZ	SZ
		D8		ADDED NEW DASH NUMBER 1-2	30MAY2016	CZ	SZ
		D9		ADDED NEW DASH NUMBER 1-3	12AUG2016	CZ	SZ



SCALE 2:1



- 1 DIM S IS CENTERLINE SPACING OF POWER MODULES.
- 2 COMPANY TRADEMARK, PART NUMBER, AND DATE CODE TO BE MARKED IN AREA SHOWN PARTS UNDER 2.00 LONG MAY BE MARKED ON BOTH SIDES.
- 3. MATERIAL: THERMO PLASTIC, UL94 V-0.BLACK.
- 4 DATUM LOCATIONS AND BASIC DIMENSIONS TO BE ESTABLISHED BY THE CUSTOMER.
- 5 BULKHEAD THICKNESS RANGE: .031 - .100.
- 6 CONNECTOR MATED TO PANEL FROM OPPOSITE SIDE.
- 7 NO BURRS ALLOWED ON OPPOSITE (MATING) SIDE.
- 8 CONNECTOR KEEP OUT ZONE.
- 9 MOUNT CONNECTOR WITH TYCO HARDWARE KIT P/N 1600914-1 FOR .050 (1.27mm) MIN RADIAL FLOAT.
- 10 LOCATION OF GROUND SYMBOL ON MFBL CAVITY, FOR 1600606-2 ONLY.
- 11 THE SPECIAL BULKHEAD LAYOUT IS ONLY FOR PN:1600606-2 WITH RESTRICT FLOATING.

D9	DIM U	DIM S	DIM L	DIM K	DIM E	DIM F	DESCRIPTION	PART NUMBER
	1.200	.300	1.550	.475	2.110	2.600	3ACP	1-1600606-3
	.800	.250	1.150	.450	1.710	2.200	2P	1-1600606-2
	1.800	.300	2.150	.475	2.710	3.200	5ACP	1-1600606-1
	2.050	.250	2.400	.450	2.960	3.450	7P	1-1600606-0
	1.725	.375	2.075	.475	2.635	3.125	4P	1600606-9
	2.050	.300	2.400	.450	2.960	3.450	6ACP	1600606-8
	2.100	.300	2.450	.475	3.010	3.500	6ACP	1600606-7
	2.825	.425	3.175	.525	3.735	4.225	6ACP	1600606-6
	2.500	.300	2.850	.525	3.410	3.900	7ACP	1600606-5
	1.900	.300	2.250	.525	2.810	3.300	5ACP	1600606-4
	3.000	.300	3.350	.475	3.910	4.400	9ACP	1600606-3
	1.200	.300	1.550	.475	2.110	2.600	3ACP	1600606-2
	1.550	.250	1.900	.450	2.460	2.950	5P	1600606-1

THIS DRAWING IS A CONTROLLED DOCUMENT. DWN: R. GRZYBOWSKI 23JUL2003
 CHK: M. CORRELL 23JUL2003

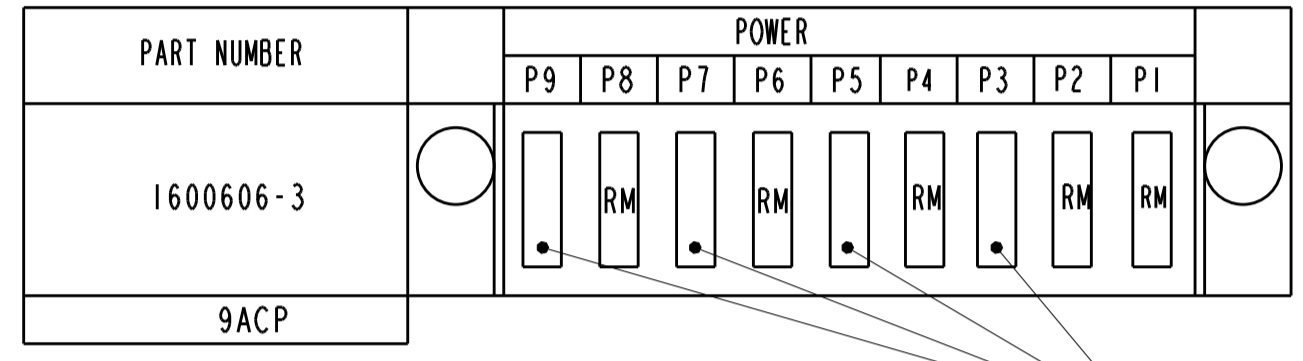
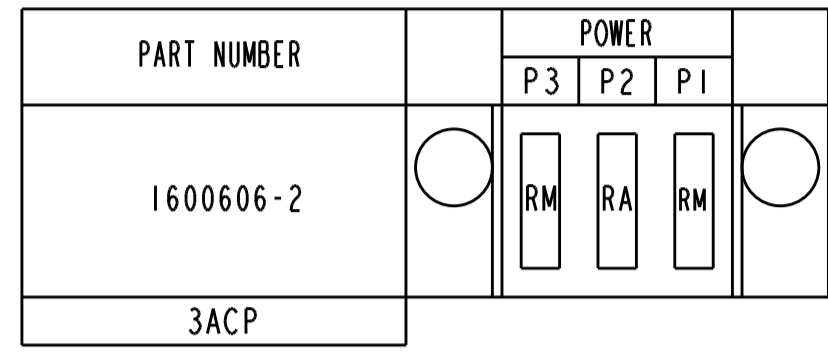
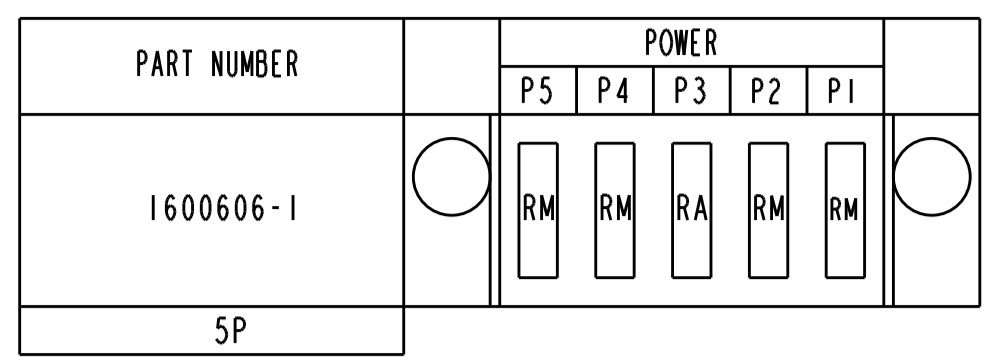
TE Connectivity

PANEL MOUNT CABLE RECEPTACLE HOUSING, WITH GUIDES, MULTI-BEAM XL, ALL POWER

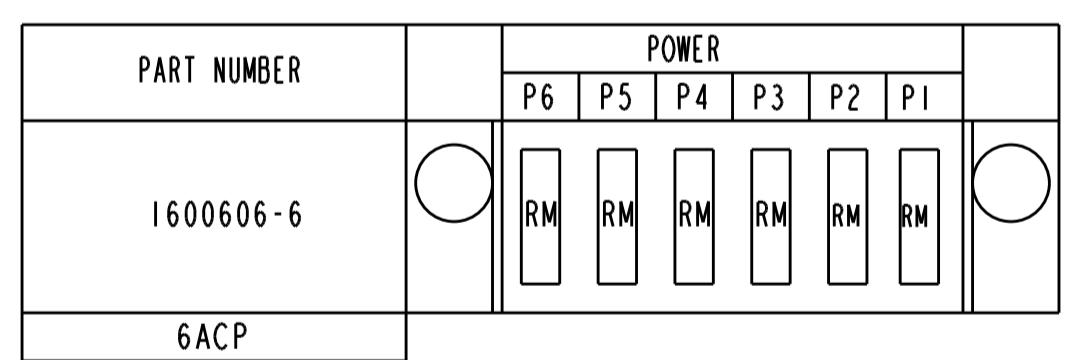
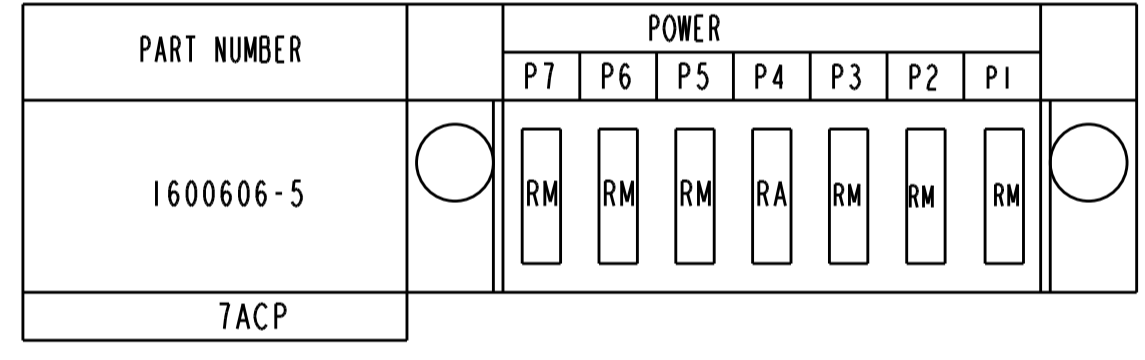
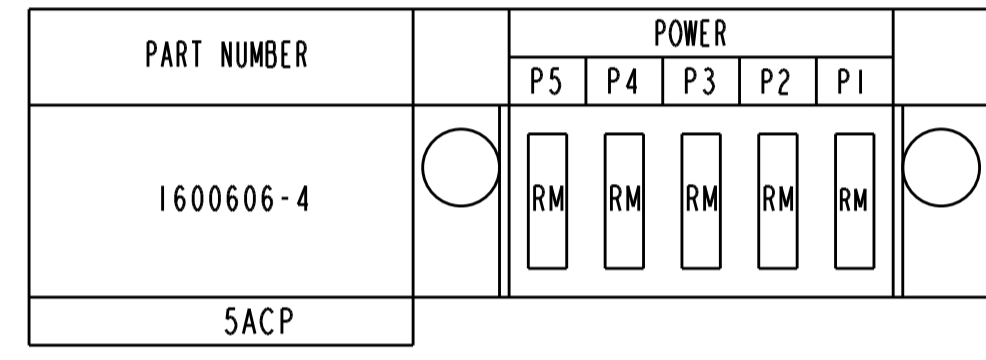
SIZE: A1 CAGE CODE: 1600606 DRAWING NO: 114-13112

SCALE: 4:1 SHEET: 1 OF 3 REV: D9

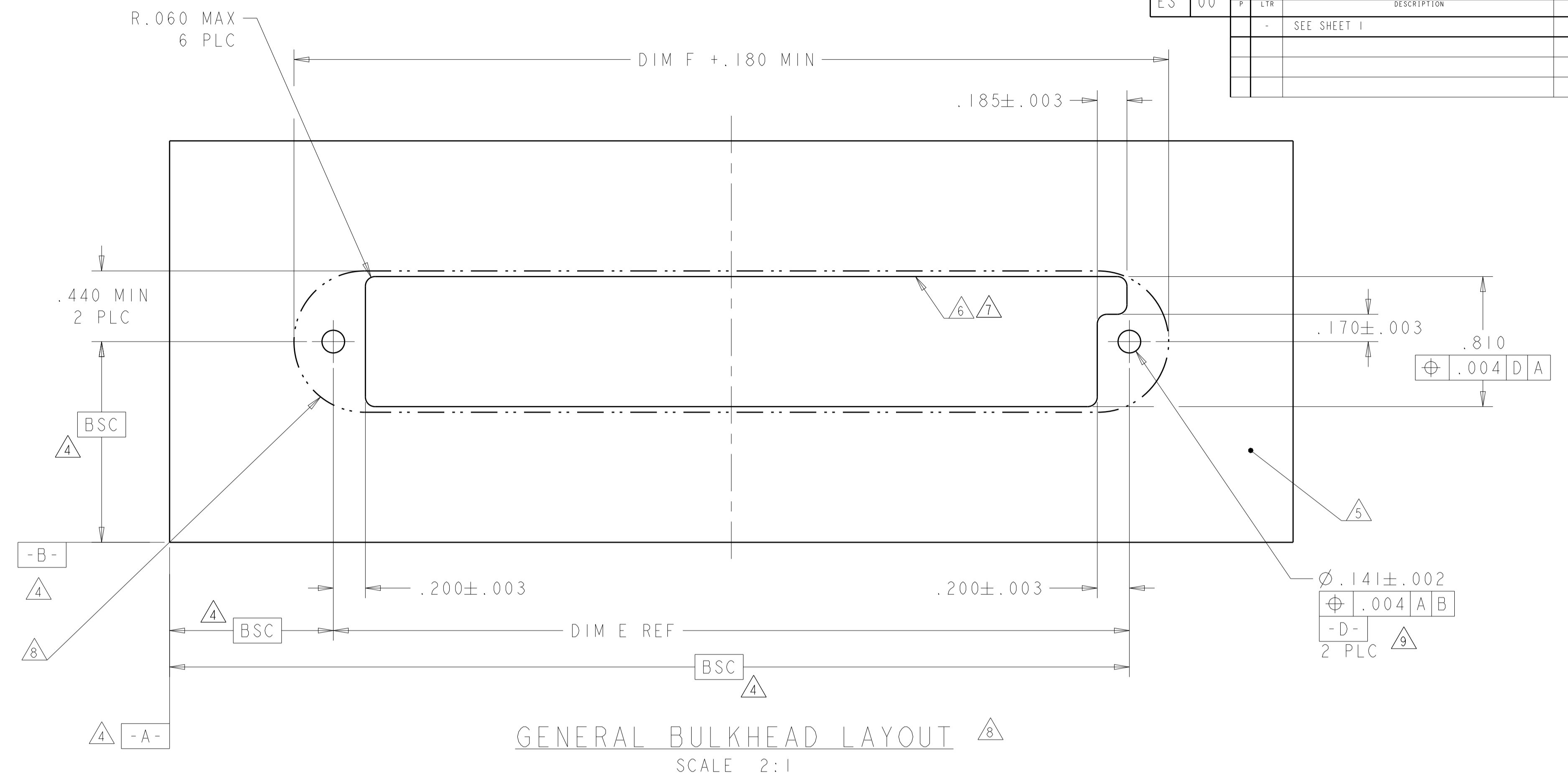
LOC	DIST	REV	DATE	BY	APPV
ES	00				



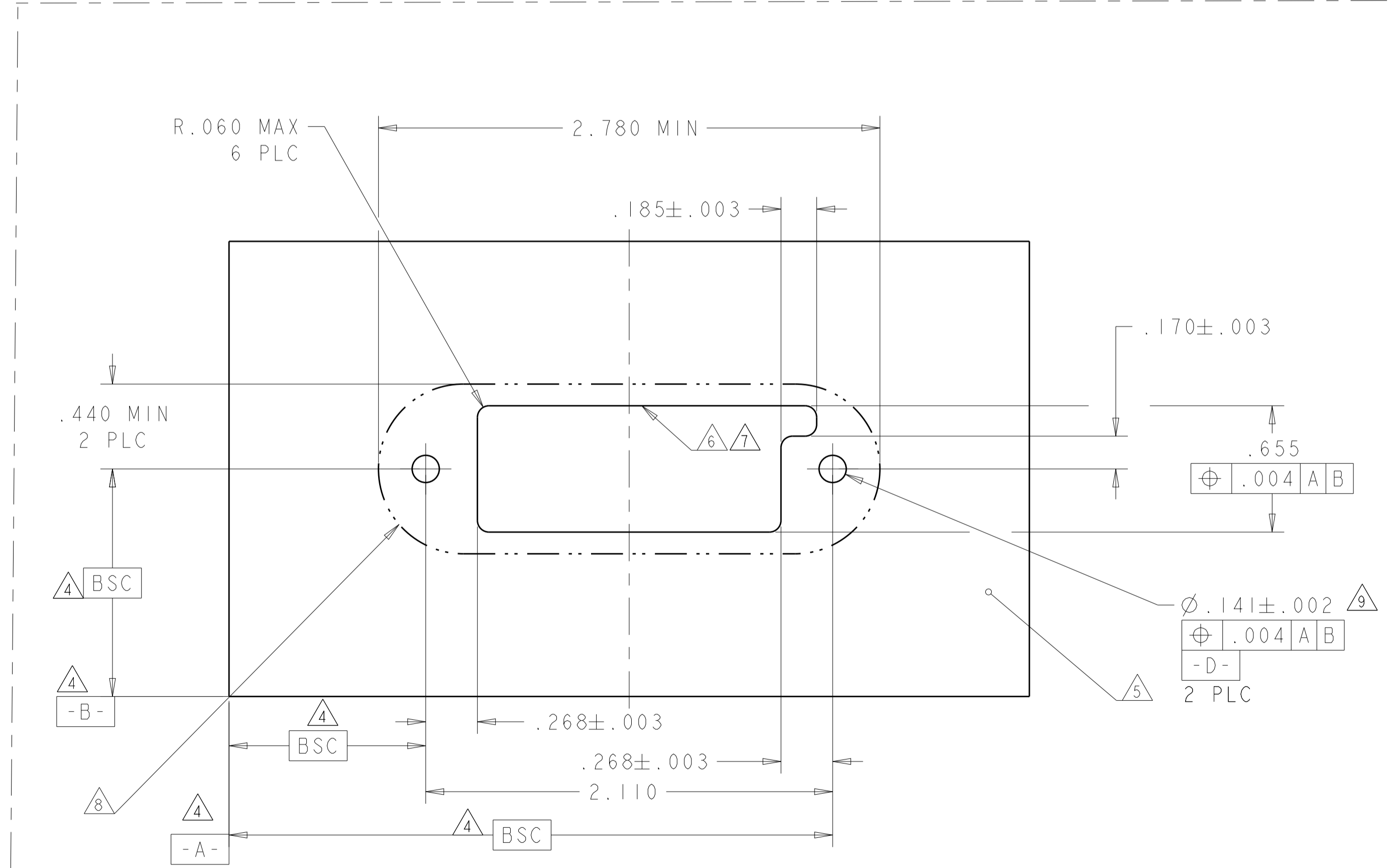
NO CONTACTS LOADED



REFERENCE WIRE CHART AND CONTACTS		
HOUSING MODULE	CONTACT	INSULATION DIAMETER RANGE
.300 POWER	8-10 1600960 REF	[.176-.272]
.250 POWER	8-10 1600960 REF	[.176-.203]
	12-14 1600961 REF	[.156-.176]
.200 POWER	12-14 1600961 REF	[.120-.156]
.100 SIGNAL	22 - 26 531216-5 REF	[.036 - .069]



GENERAL BULKHEAD LAYOUT SCALE 2:1



P/N: 1600606-2 SPECIAL BULKHEAD LAYOUT
FOR P/N:1600606-2 RESTRICT A ,B FLOATING ONLY
SCALE 2:1

CODE	DESCRIPTION
RM	STANDARD POWER CONTACT
RA	MFBL POWER CONTACT

CONTACT TABLE	
RM	STANDARD POWER CONTACT
RA	MFBL POWER CONTACT

THIS DRAWING IS A CONTROLLED DOCUMENT.

APVD: M. CORRELL

DATE: 23 JUL 2003

PRODUCT SPEC: 108-2157

APPLICATION SPEC: 114-13112

WEIGHT: -

CUSTOMER DRAWING

SCALE: 4:1

SHEET 2 OF 3

REV D9

LOC	DIST	REVISIONS					
		P	LTN	DESCRIPTION	DATE	DMN	APVD
ES	00	-	-	SEE SHEET 1	-	-	-

D

PART NUMBER	POWER					
	P6	P5	P4	P3	P2	P1
1600606-7	RM	RM	RM	RM	RM	RM
6ACP						

PART NUMBER	POWER					
	P6	P5	P4	P3	P2	P1
1600606-8	RM	RM	RM	RM	RM	RM
6ACP						

PART NUMBER	POWER			
	P4	P3	P2	P1
1600606-9	RA	RM	RM	RM
4P				


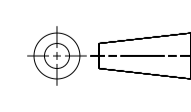
PART NUMBER	POWER						
	P7	P6	P5	P4	P3	P2	P1
1-1600606-0	RM		RM		RM		RA
7P							

PART NUMBER	POWER				
	P5	P4	P3	P2	P1
1-1600606-1	RM	RM	RM	RM	RM
5ACP					

PART NUMBER	POWER	
	P2	P1
1-1600606-2	RM	RA
2P		

PART NUMBER	POWER		
	P3	P2	P1
1-1600606-3	RA	RM	RM
3ACP			

D9

THIS DRAWING IS A CONTROLLED DOCUMENT.		DMN R.GRZYBOWSKI 23JUL2003	
		CHK M.CORRELL 23JUL2003	
DIMENSIONS:	TOLERANCES UNLESS OTHERWISE SPECIFIED:	APVD	NAME
INCHES	0 PLC ±.010 1 PLC ±.015 2 PLC ±.020 3 PLC ±.025 4 PLC ±.030 ANGLES ±.2°		PANEL MOUNT CABLE RECEPTACLE HOUSING, WITH GUIDES, MULTI-BEAM XL, ALL POWER
		PRODUCT SPEC	RESTRICTED TO
		APPLICATION SPEC	
		SIZE 114-13112	
		WEIGHT	
		CUSTOMER DRAWING	
		SCALE 4:1	SHEET 3 OF 3
		REV D9	

单击下面可查看定价，库存，交付和生命周期等信息

[>>TE Connectivity\(泰科\)](#)