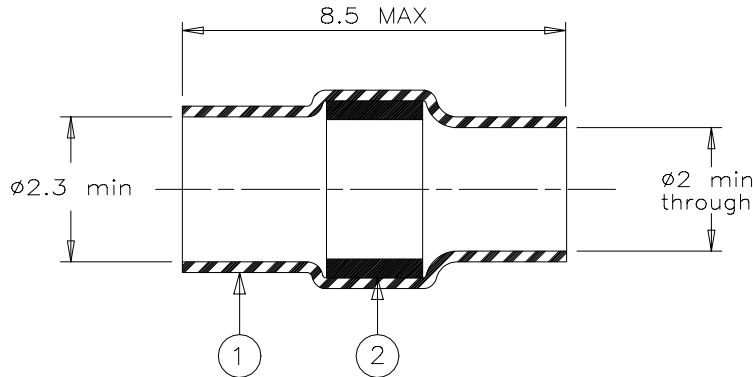


SPECIFICATION CONTROL DRAWING



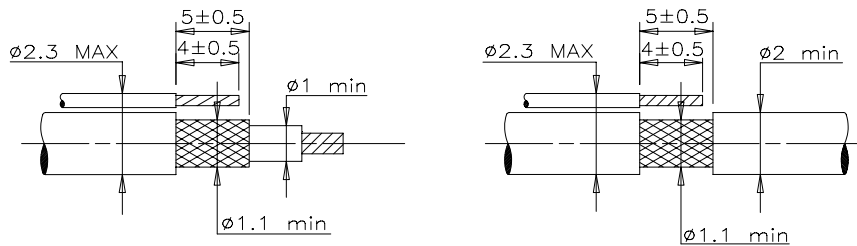
MATERIALS

1. INSULATION SLEEVE: Heat-Shrinkable, transparent blue, radiation cross-linked modified polyvinylidene fluoride.
2. SOLDER PREFORM WITH FLUX:
 - SOLDER: TYPE Pb36 per ANSI-J-STD-006.
 - FLUX: TYPE ROL1 per ANSI-J-STD-004.

APPLICATION

1. This controlled soldering device is designed for termination of a tin or silver plated copper shield on a cable having an insulation rated for at least +125°C.
2. Temperature range: -55°C to +150°C. For application tooling, consult your local Raychem technical service.

For best results, prepare the cable as shown:



* A trademark of Raychem Corporation.

Raychem		THERMOFIT DEVICES	Raychem Corporation 300 Constitution Drive Menlo Park, CA 94025 USA	TITLE: SHIELD TERMINATION			
UNLESS OTHERWISE SPECIFIED DIMENSIONS ARE IN MILLIMETERS.				DOCUMENT NO: B-004-00			
TOLERANCES: 0.00 N/A 0.0 N/A 0 N/A	ANGLES: N/A ROUGHNESS IN MICRON	Raychem reserves the right to amend this drawing at any time. Users should evaluate the suitability of the product for their application.		DCR NUMBER: D980561		REPLACES: B00400	
DRAWN BY: M. FORONDA	DATE: 06/23/98	PROD. REV. F	DOC ISSUE: 1	SCALE: None	SIZE: A	SHEET: 1 of 1	

**If this document is printed it becomes uncontrolled.
Check with the web for latest revision.**

单击下面可查看定价，库存，交付和生命周期等信息

[>>TE Connectivity\(泰科\)](#)