

4

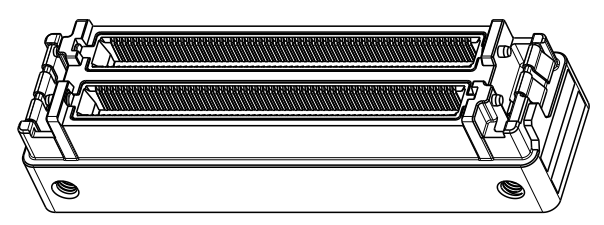
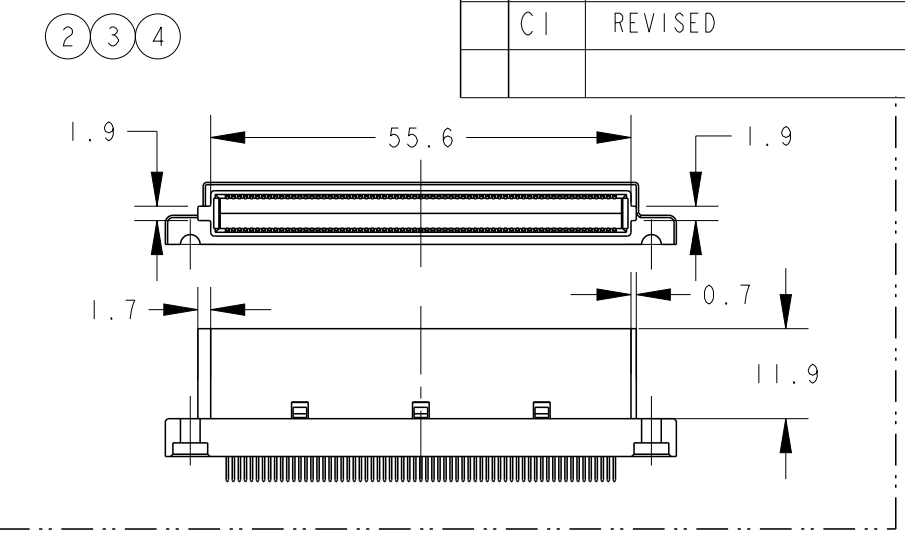
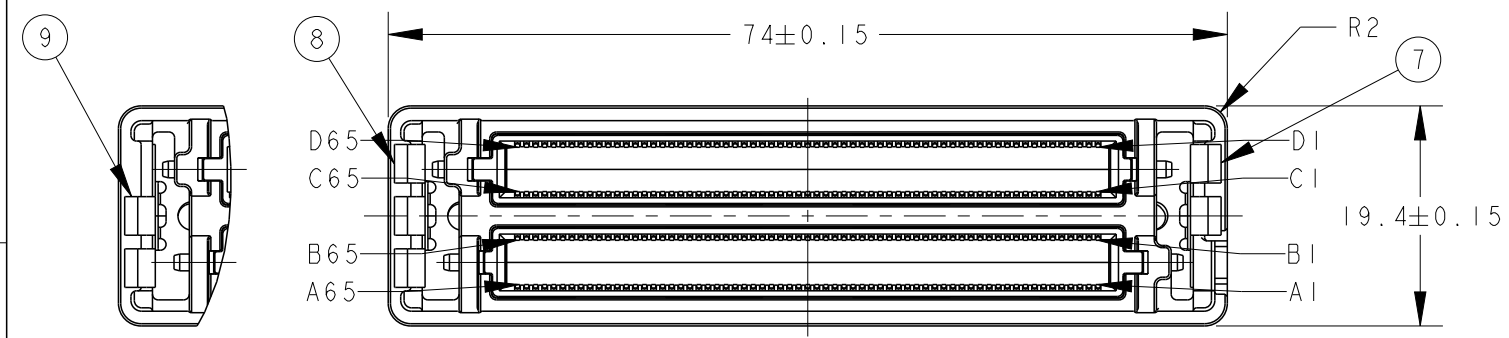
3

2

1

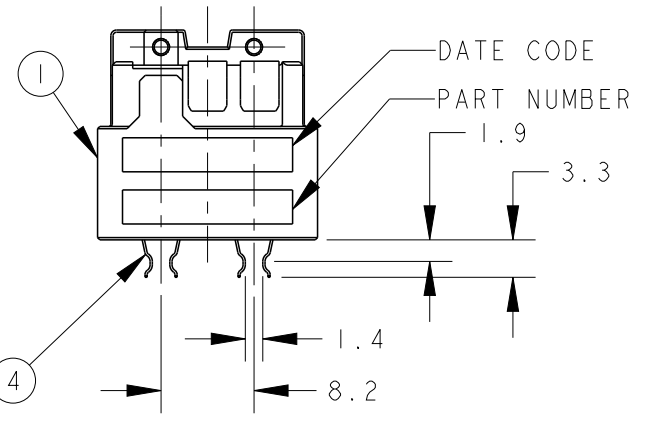
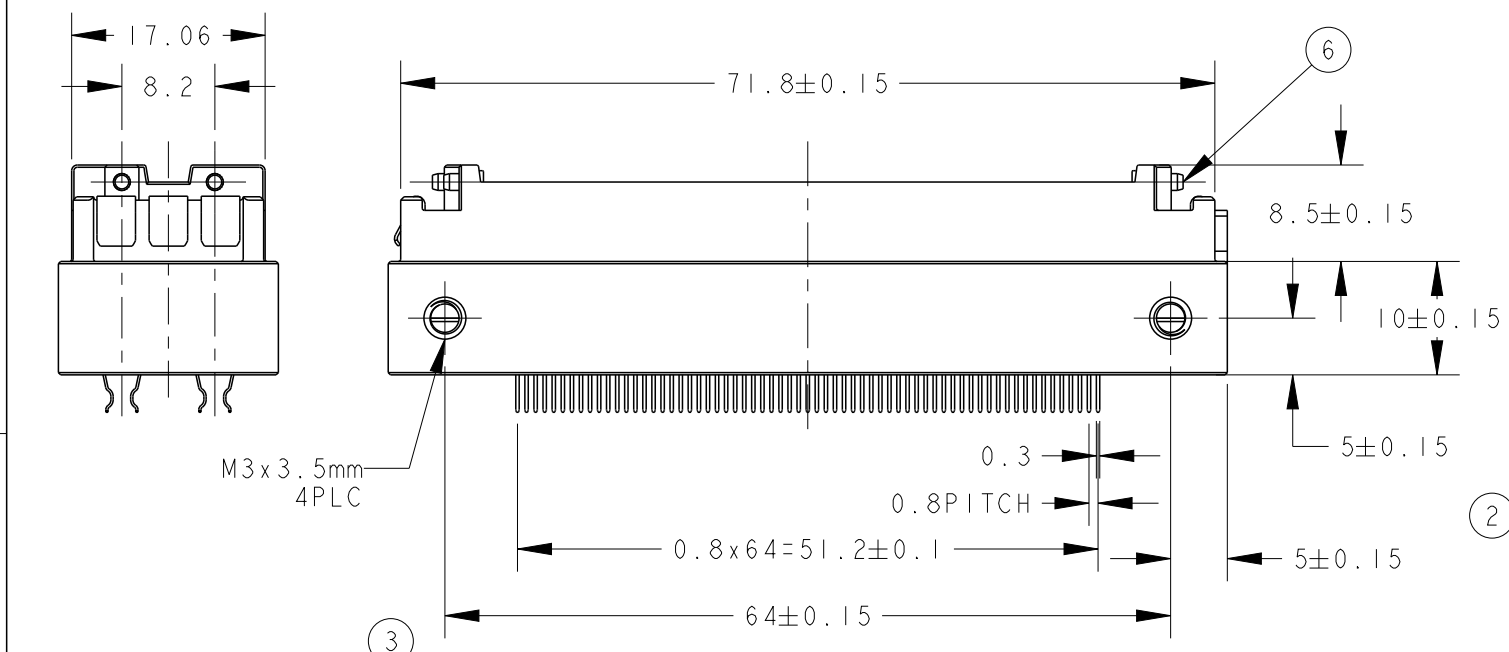
THIS DRAWING IS UNPUBLISHED. RELEASED FOR PUBLICATION 2008  
COPYRIGHT 2008-2012 ALL RIGHTS RESERVED.

LOC	DIST	REVISIONS					
J	-	P	LTR	DESCRIPTION	DATE	DWN	APVD
		B3		REVISED	17JUN2011	T.K	M.K
		C		REVISED	10AUG2012	T.K	M.K
		C1		REVISED	28OCT2015	T.K	M.K

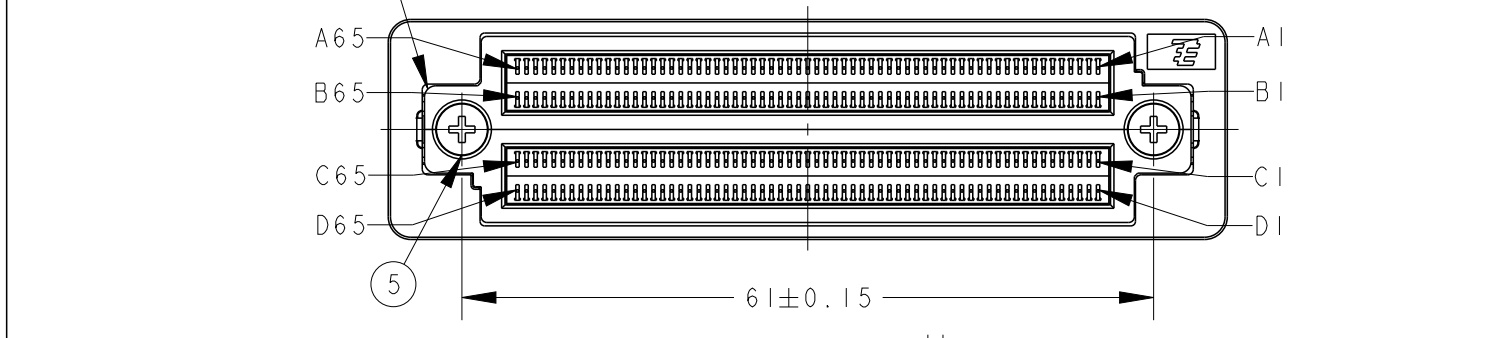


SCALE 1:1

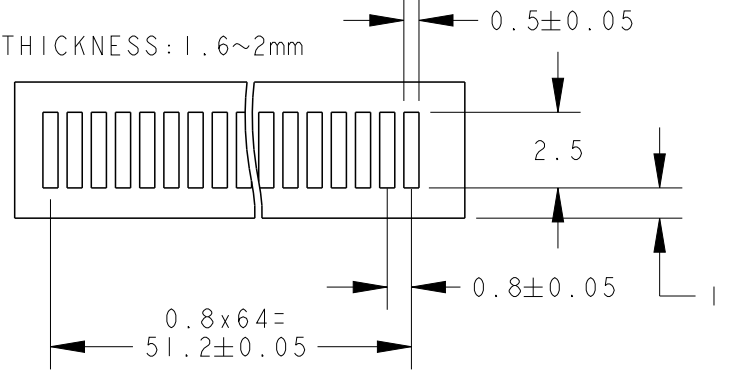
- ① MATING AREA  
0.001mm MIN GOLD  
OVER 0.0025mm MIN NICKEL  
SOLDERING AREA  
GOLD FLASH  
OVER 0.00127mm MIN NICKEL  
OTHERS  
0.00127mm MIN NICKEL
- ② SHILED FINGER THICKNESS  
0.25mm
- ③ SHILED FINGER THICKNESS  
0.20mm
- 4. PIN ASSIGNMENTS  
AS A REFERENCE



ROHS COMPLIANT



QTY	FINISH	MATERIAL	NAME	ITEM NO
2	Ni PLT.	STAINLESS STEEL	SHIELD FINGER	9
-	Ni PLT.	STAINLESS STEEL	SHIELD FINGER	8
-	Ni PLT.	STAINLESS STEEL	SHIELD FINGER	7
4	Ni PLT.	STAINLESS STEEL	PIN FOR HOOK	6
2	ZINC PLATING	STEEL	M2.5 CAP SCREW	5
(260)		COPPER ALLOY	CONTACT	4
2	-	LCP	COVER HOUSING	3
4	-	LCP	INSERT MOLD, CONTACT	2
1	Ni PLT 0.0025~0.005mm	ZINC DIECAST	BASE HOUSING	1



RECOMMENDED BOARD  
SCALE 4:1

THIS DRAWING IS A CONTROLLED DOCUMENT.

DWN T.Kanno 5MAR2007  
CHK M.Kimura 5MAR2007  
APVD M.Kimura 5MAR2007

PRODUCT SPEC 108-5771  
APPLICATION SPEC 114-5505

WEIGHT 68.5g

CUSTOMER DRAWING

TE Connectivity

HDR ASSEMBLY  
TC-ZIF CONN  
0.8mm PITCH 260P

SIZE A3 CAGE CODE C-6565199 DRAWING NO. RESTRICTED TO

SCALE 1:1 SHEET OF REV C1

单击下面可查看定价，库存，交付和生命周期等信息

[>>TE Connectivity\(泰科\)](#)