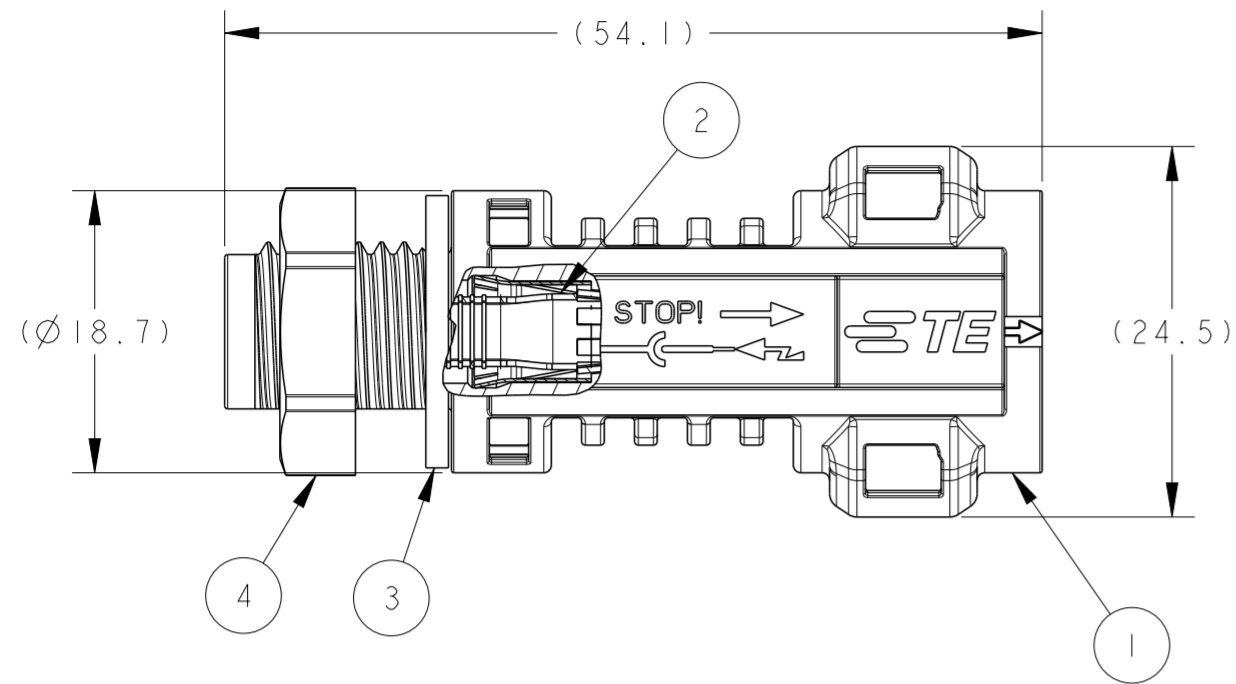
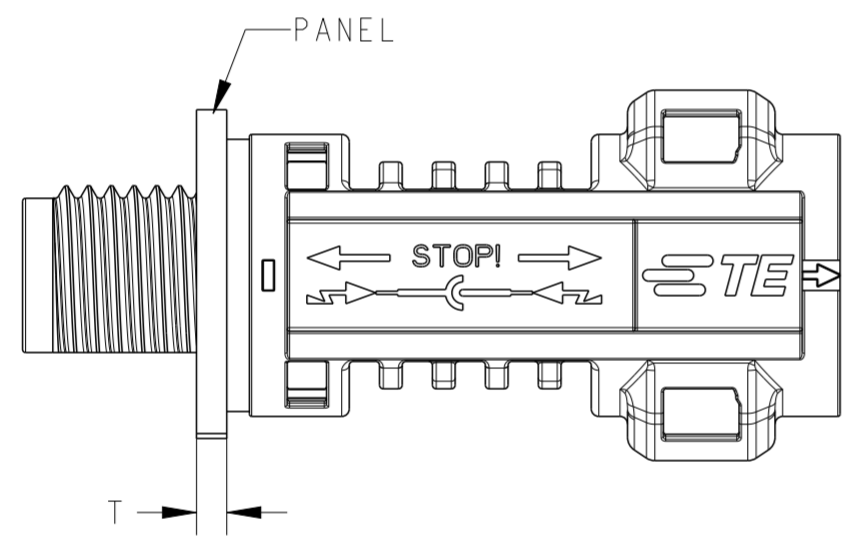


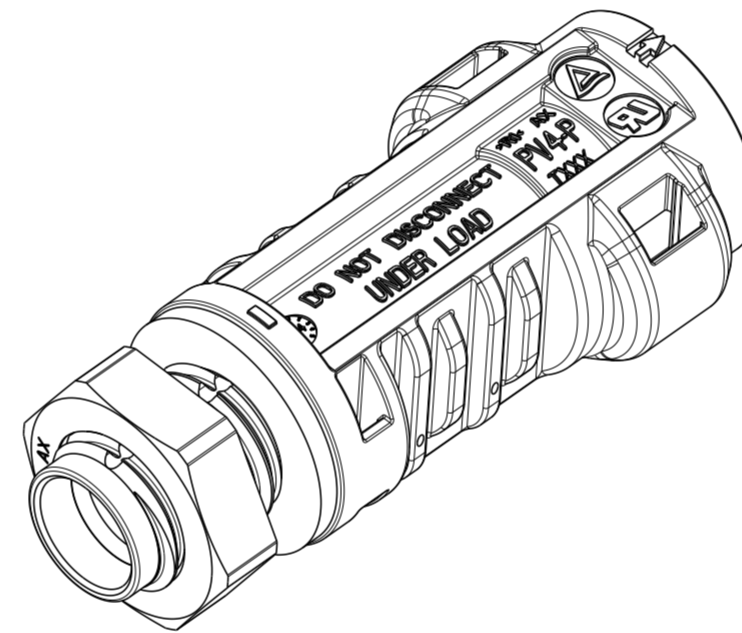
P	LTR	DESCRIPTION	DATE	DWN	APVD
A		ECN-22-176531	24AUG2022	SR	FR



- 1 FLAT SEAL ASSEMBLED ON PIN HOUSING
- 2 NUT ENCLOSE LOOSELY
- 3 RECOMMENDED TIGHTENING TORQUE FOR NUT (ITEM NO.4) 1.0-1.2Nm WHEN ASSEMBLING AT PANEL WALL
- 4. USE ONLY CRIMPING TOOL OF TE CONNECTIVITY TO CRIMP CONTACT.

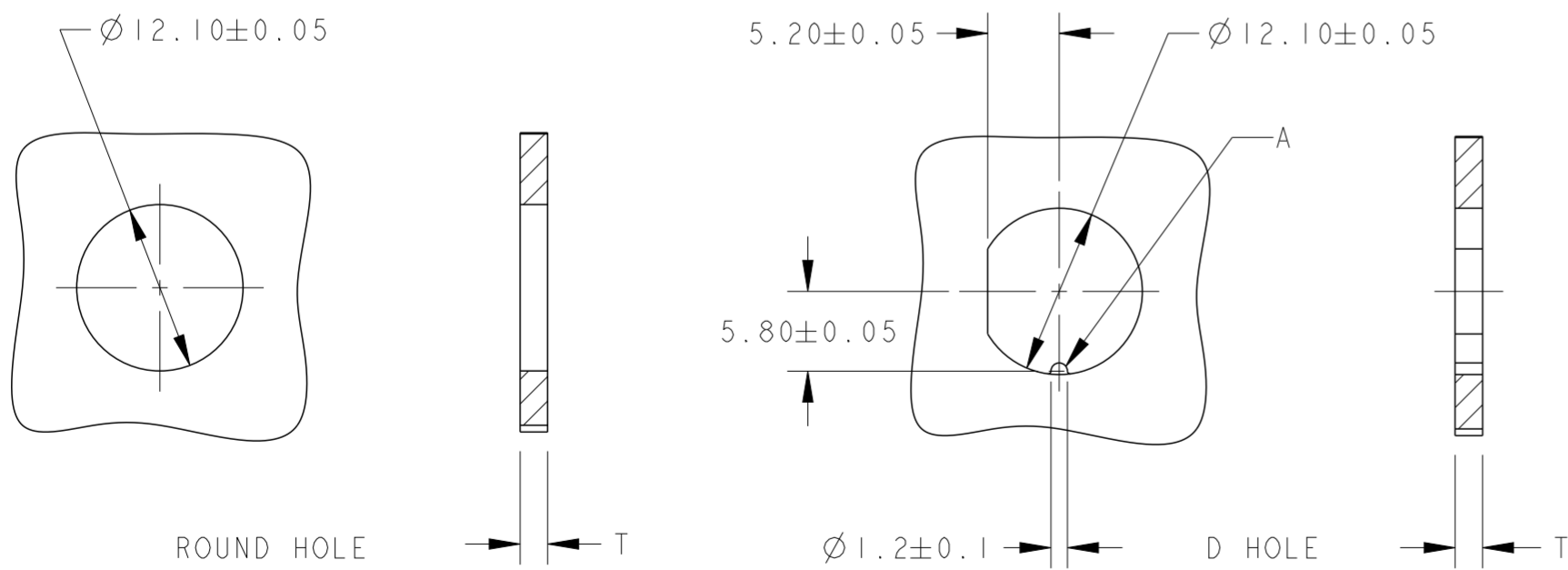


SCALE 2:1



SCALE 2:1

-1 AS SHOWN



RECOMMENDED MOUNTING HOLE

T (PANEL THICKNESS): 2-6mm  
FEATURE A DETERMINED BY CUSTOMER

QTY	DESCRIPTION	ITEM
100	PACKAGING	
2428529-2	ORDER-NO.	
2428529-1		
1	NUT M12x1.5, PC, BALCK	4
1	FLAT SEAL, RUBBER, BLACK	3
1	METAL CLIP RING, STAINLESS STEEL	2
1	PIN HOUSING, PC, BLACK	1

THIS DRAWING IS A CONTROLLED DOCUMENT.		DWN: 24AUG2022 S. RANJITH	TE Connectivity	
DIMENSIONS: mm		CHK: 24AUG2022 G. PULLIUM		
TOLERANCES UNLESS OTHERWISE SPECIFIED:		APVD: 24AUG2022 F. ROSENKRANZ	NAME: PIN CONNECTOR PREASSEMBLED, PV4-P1M40/60	
0 PLC ±		PRODUCT SPEC: 108-160423	SIZE: A2	
1 PLC ±0.3		APPLICATION SPEC: 114-160423	CAGE CODE: 00779	DRAWING NO: C-2428529
2 PLC ±		WEIGHT: -	RESTRICTED TO: -	
3 PLC ±		CUSTOMER DRAWING	SCALE: 2:1	SHEET: 1 OF 1
4 PLC ±			REV: A	
ANGLES ±				
FINISH -				

单击下面可查看定价，库存，交付和生命周期等信息

[>>TE Connectivity\(泰科\)](#)