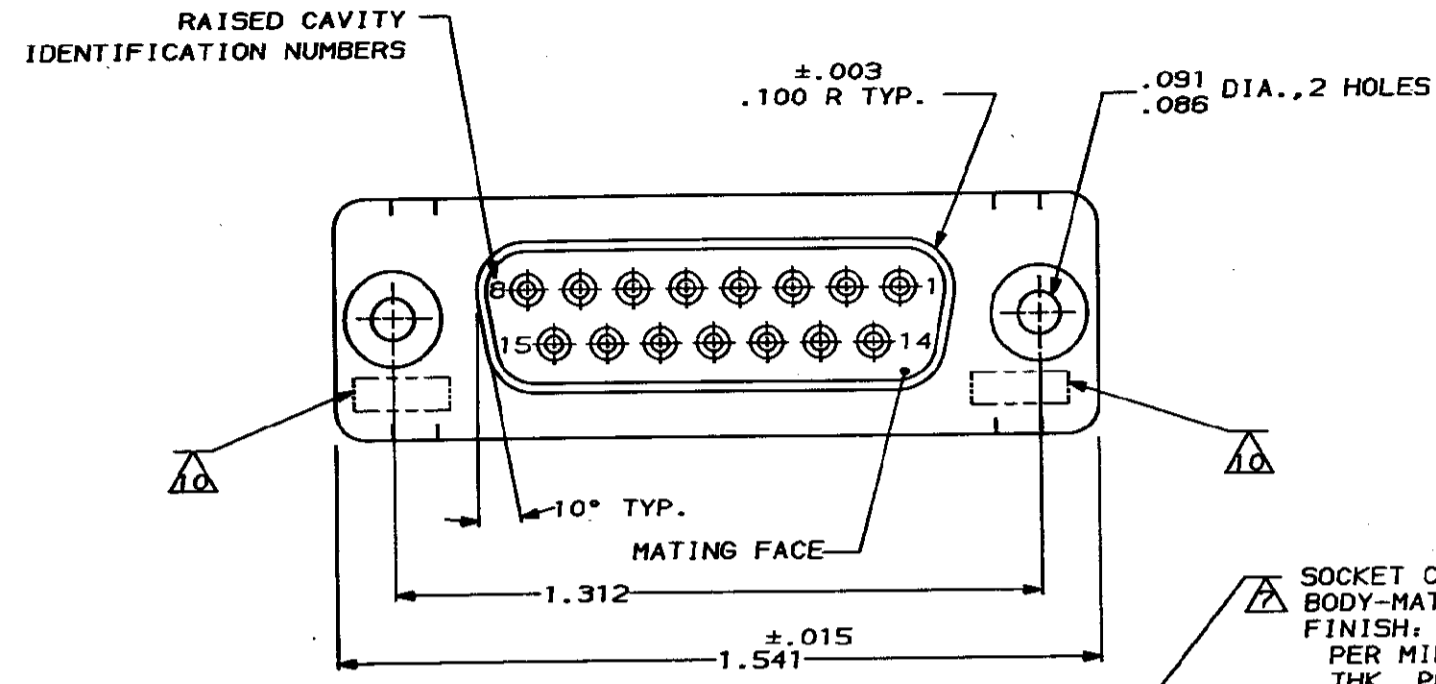
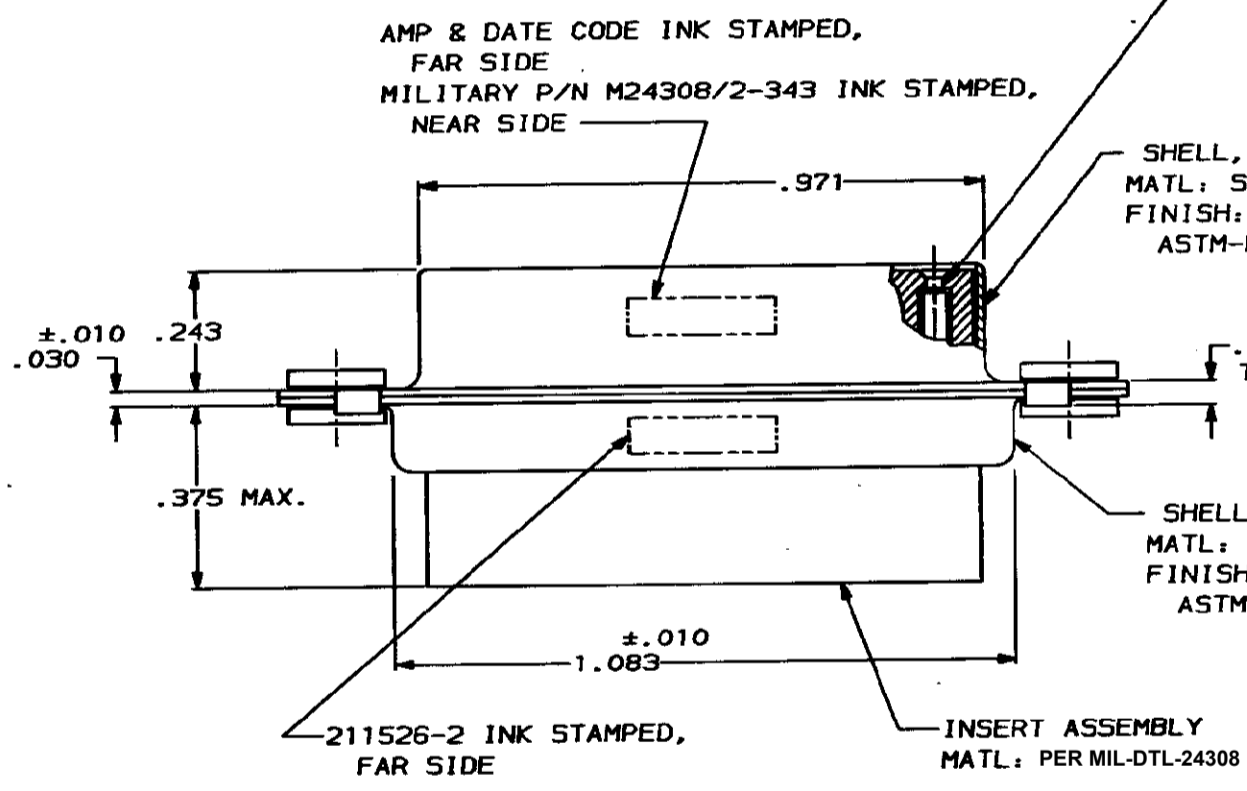


PRG	LOC	DTST	REV	ZONE	LTR	DESCRIPTION	DATE	APPD
5066	DF	DO	0			RELEASED	7/1/85	DE
			A			REV-ECN DF-1034	MC	2-10-88
			B			REV PER ECO-15-005914	KG	28MAY15

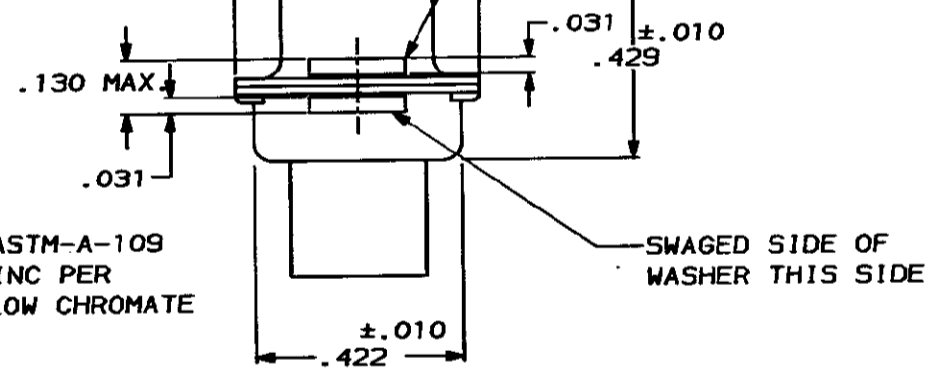


SOCKET CONTACT, SIZE 20, 15 REQ'D.
 BODY-MATL: BERYLLIUM COPPER PER QQ-C-530
 FINISH: PLATED GOLD .000050 MIN. THK.
 PER MIL-G-45204 OVER COPPER .000100 MIN.
 THK. PER MIL-C-14550
 HOOD-MAT'L: STAINLESS STEEL PER QQ-S-766
 FINISH: PASSIVATED PER QQ-P-35B



SHELL, FRONT
 MATL: STEEL PER ASTM-A-109
 FINISH: PLATED ZINC PER
 ASTM-B-633, YELLOW CHROMATE

FLOATING BUSHING/WASHER, 2 REQ'D.
 MATL: STAINLESS STEEL PER ASTM-A-582
 FINISH: PASSIVATED PER QQ-P-35B
 FLOATS .008 ±.004 VERTICALLY &
 .031 HORIZONTALLY



SHELL, REAR
 MATL: STEEL PER ASTM-A-109
 FINISH: PLATED ZINC PER
 ASTM-B-633, YELLOW CHROMATE

1. THIS RECEPTACLE WILL MATE WITH ANY 15 POSN., SIZE 2 PLUG IN AMPLIMITE SERIES.
2. MAXIMUM WIRE INSULATION TO BE USED WITH THIS RECEPTACLE IS .068 DIA.
3. SST RETENTION CLIPS ARE INCLUDED IN INSERTS.

- △ PACKAGE STAMPED M24308/2-483 & AMP P/N 211526-1
- △ PACKAGE STAMPED M24308/2-343 & AMP P/N 211526-2
- △ PACKAGE STAMPED M24308/2-354 & AMP P/N 211526-3
- △ AMP P/N 205090-1; MIL P/N 63-368, INCLUDED IN KIT.
- △ AMP P/N 91067-2; MIL P/N M81969/1-02.
- △ CONNECTOR SUPPLIED WITHOUT CONTACTS, SHOWN FOR ILLUSTRATION ONLY.
- △ UL/CSA DESIGNATION STAMPED IN THIS AREA.

SAME AS -1 EXCEPT: △△△	211526-3
SAME AS -1 EXCEPT: △△	211526-2
AS SHOWN △△	211526-1

DO NOT SCALE PRINT. UNLESS SPECIFIED DIMENSIONS IN INCHES TOLERANCES ON: 2 PLC DEC ± .005 3 PLC DEC ± .005 ANGLES ± 0°30'		DR 7-1-85 D. ERDMAN CHK 9-18-85 R. GRZYBOWSKI APPD 9-20-85 L. ROPNER APPD 9-25-85 G. SACUNAS		AMP INCORPORATED Harrisburg, Pa. 17105	
SEE CALLOUT		PRODUCT SPEC		NAME RECEPTACLE ASS'Y., AMPLIMITE 15 POSN., SIZE 2, SERIES 109, W/DUAL FLOAT BUSHINGS	
SEE CALLOUT		APPLICATION SPEC		SIZE D	FSCM NO 00779
		WEIGHT		DRAWING NO 211526	SHEET 1 OF 1

单击下面可查看定价，库存，交付和生命周期等信息

[>>TE Connectivity\(泰科\)](#)