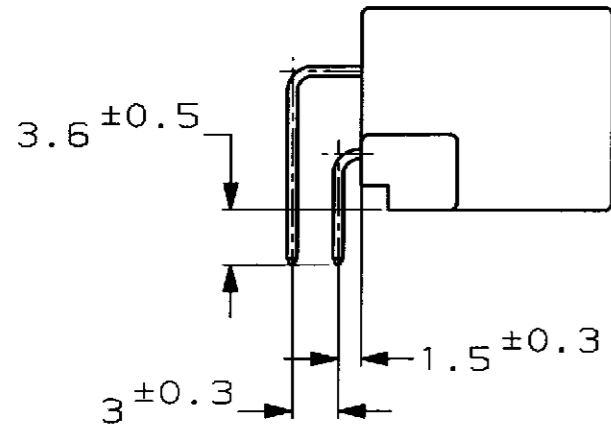
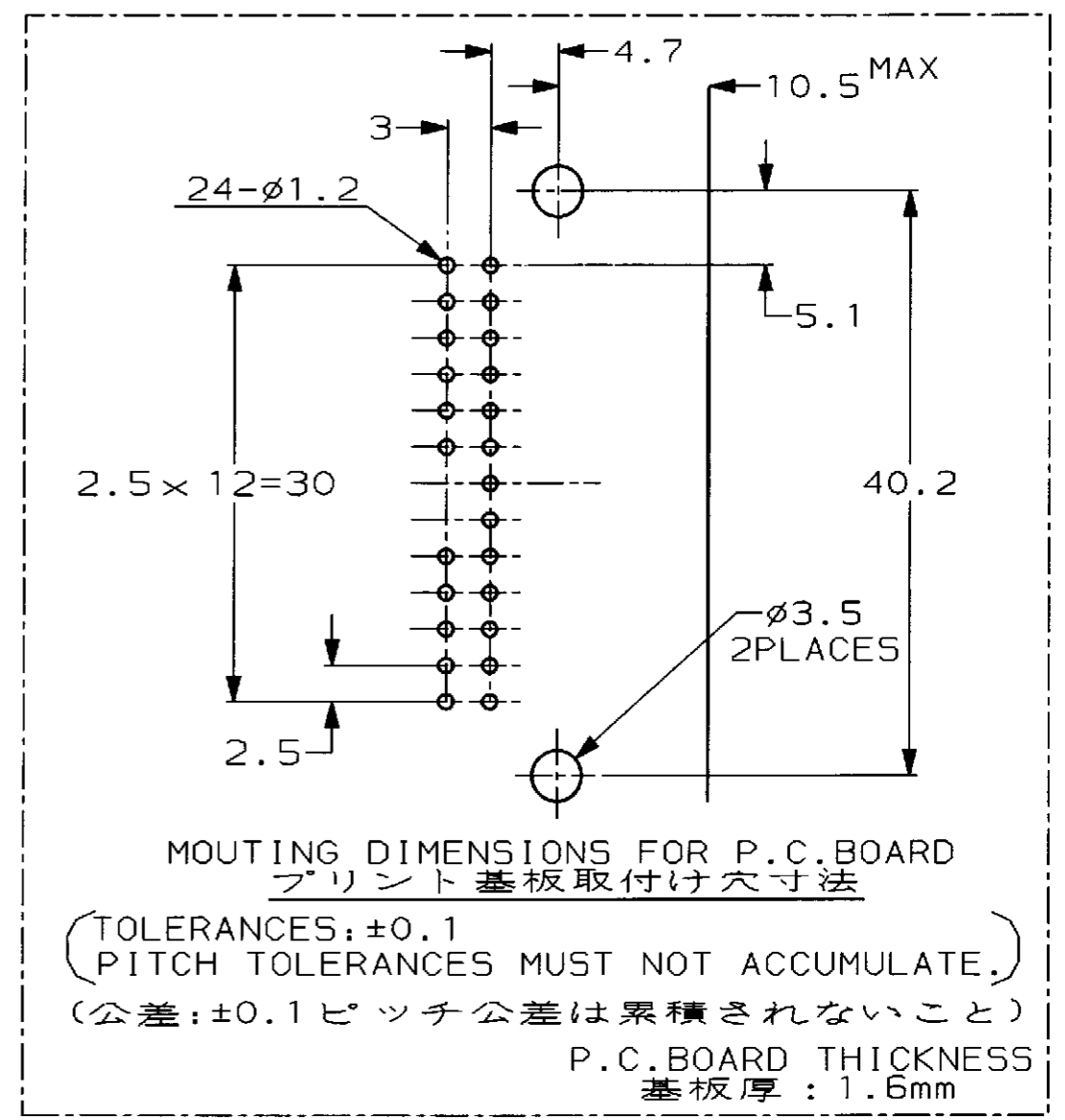
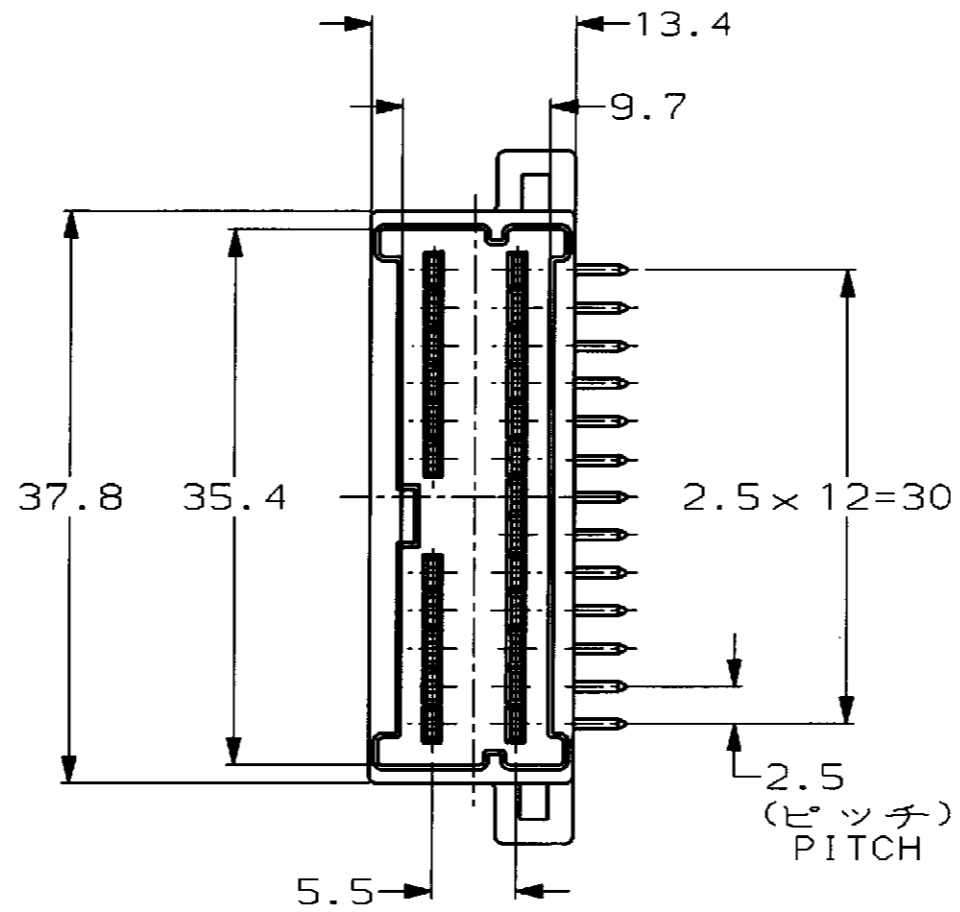
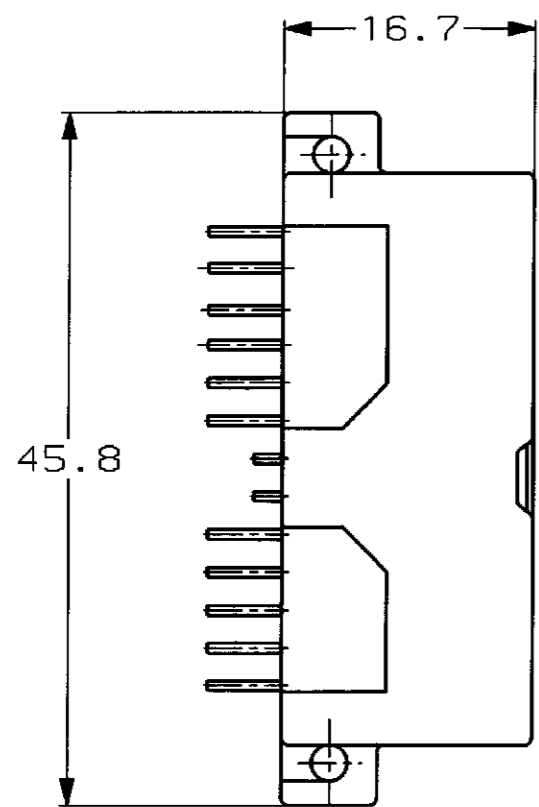


LOC J

REVISIONS					
P	LTR	DESCRIPTION	ECN	DATE	OWN APVD
A		再作成 REDRAWN	FJ00-0506-98	08APR98	[Signature]



- 1 RECOMMENDED MOUNTING SCREW: PAN-HEADED, TYPE 2 TAPPING SCREW OF 3DIA X 6LENGTH (JIS B1115, B1122), TIGHTENING TORQUE: 39.2N-cm [4Kg-cm] MAX
- 1 推奨取付ネジ: JIS B1115, B1122タッピングねじ, なべ2種, 呼び径3, 長さ6, 締付トルク: 39.2N-cm [4Kg-cm]以下

1123393-6	灰色 (GRAY)	1123435-6
嵌合相手ハウジング型番 MATING HOUSING PART NUMBER	色 (COLOR)	型番 PART NUMBER

THIS DRAWING IS A CONTROLLED DOCUMENT FOR AMP INCORPORATED. IT IS SUBJECT TO CHANGE AND THE CONTROLLING ENGINEERING ORGANIZATION SHOULD BE CONTACTED FOR THE LATEST REVISION.		AMP Kawasaki, Japan	
DIMENSIONS 単位: 概 mm	TOLERANCES UNLESS OTHERWISE SPECIFIED 一般公差 10mm: ±0.2 30mm: ±0.25 100mm: ±0.3 ANGLE: ±0.3°	NAME 040III MULTILOCK CONNECTOR 24POS CAP HOUSING ASSEMBLY WIRE TO BOARD (H) TYPE	RESTRICTED TO
MATERIAL 材料 PBT	FINISH 仕上	PRODUCT SPEC 108-5603	SIZE CAGE CODE DRAWING NO A3 00779 C-1123435
WEIGHT 6.3g		CUSTOMER DRAWING	
SCALE 尺度 2:1		SHEET 1 OF 1 REV A	

单击下面可查看定价，库存，交付和生命周期等信息

[>>TE Connectivity\(泰科\)](#)