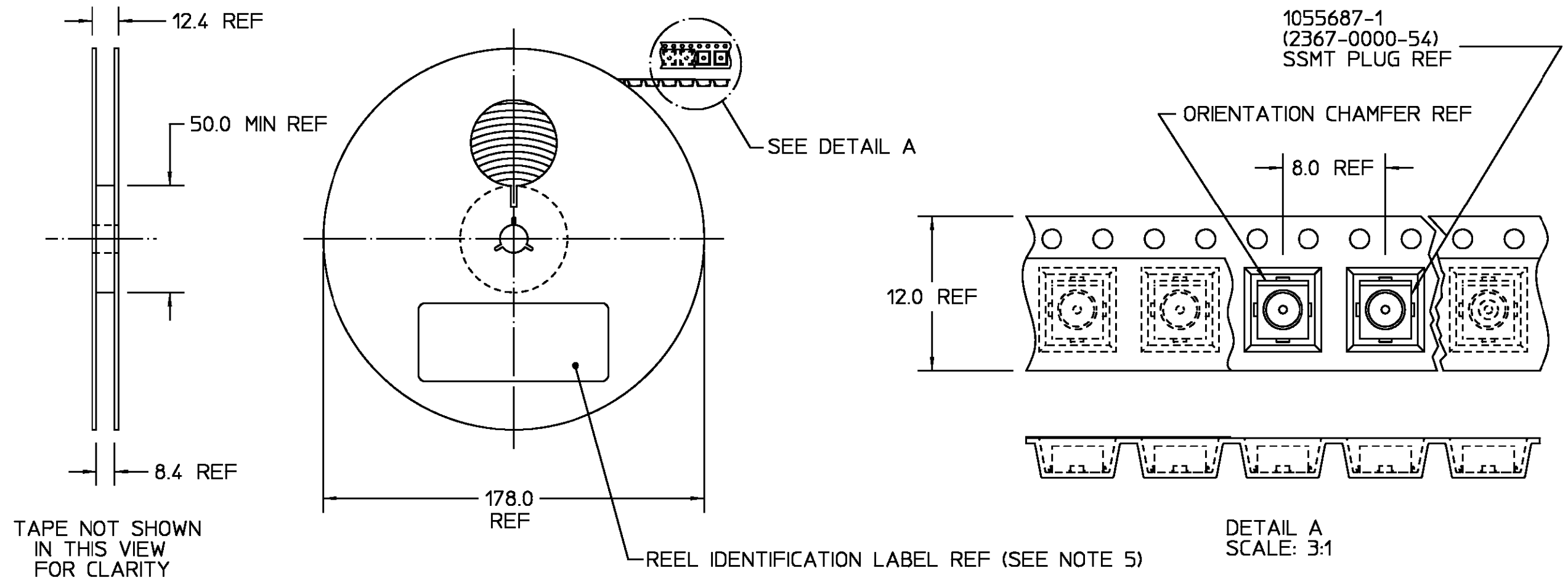


REVISIONS			
REV	DESCRIPTION	DATE	APPROVED
B1	REVISED PER ECO-11-005294	13APR11	HMR




TAPE NOT SHOWN
IN THIS VIEW
FOR CLARITY

REEL IDENTIFICATION LABEL REF (SEE NOTE 5)

DETAIL A
SCALE: 3:1

- NOTES**
1. TAPE, REEL, AND TAPING SHALL MEET THE REQUIREMENTS OF EIA-481-1.
 2. EMBOSSED TAPE SHALL BE CONDUCTIVE TYPE.
 3. FOR PART ORIENTATION IN TAPE SEE DETAIL A.
 4. REEL SHALL CONTAIN 800 PIECES P/N 1403852-1 (2302-98-01).
 5. REEL IDENTIFICATION LABEL SHALL BE PRINTED WITH REEL P/N 1055688-1 (2367-5001-54), CONNECTOR P/N 1055687-1 (2367-0000-54), MANUFACTURER (TYCO) QTY, AND TAPING DATE AS A MINIMUM.

	UNLESS OTHERWISE SPECIFIED DIMENSIONS ARE IN MILLIMETERS. ALL ANGLES ARE DEGREES. FRAC. DEC. ANGLES - - -	DRAWN BY P. RESNICK	DATE 12 MAY 92
		CHECKED BY	
		APPD BY	
USED ON			
GROUP CODE			

 TE Connectivity		TITLE TAPE AND REEL PACKAGING, SSMT PLUG, 178MM REEL (800 PARTS PER REEL)	
		SIZE B	CODE IDENT NO. 26805
SCALE 1:2	PLATING AREA	SHEET 1 OF 1	

单击下面可查看定价，库存，交付和生命周期等信息

[>>TE Connectivity\(泰科\)](#)