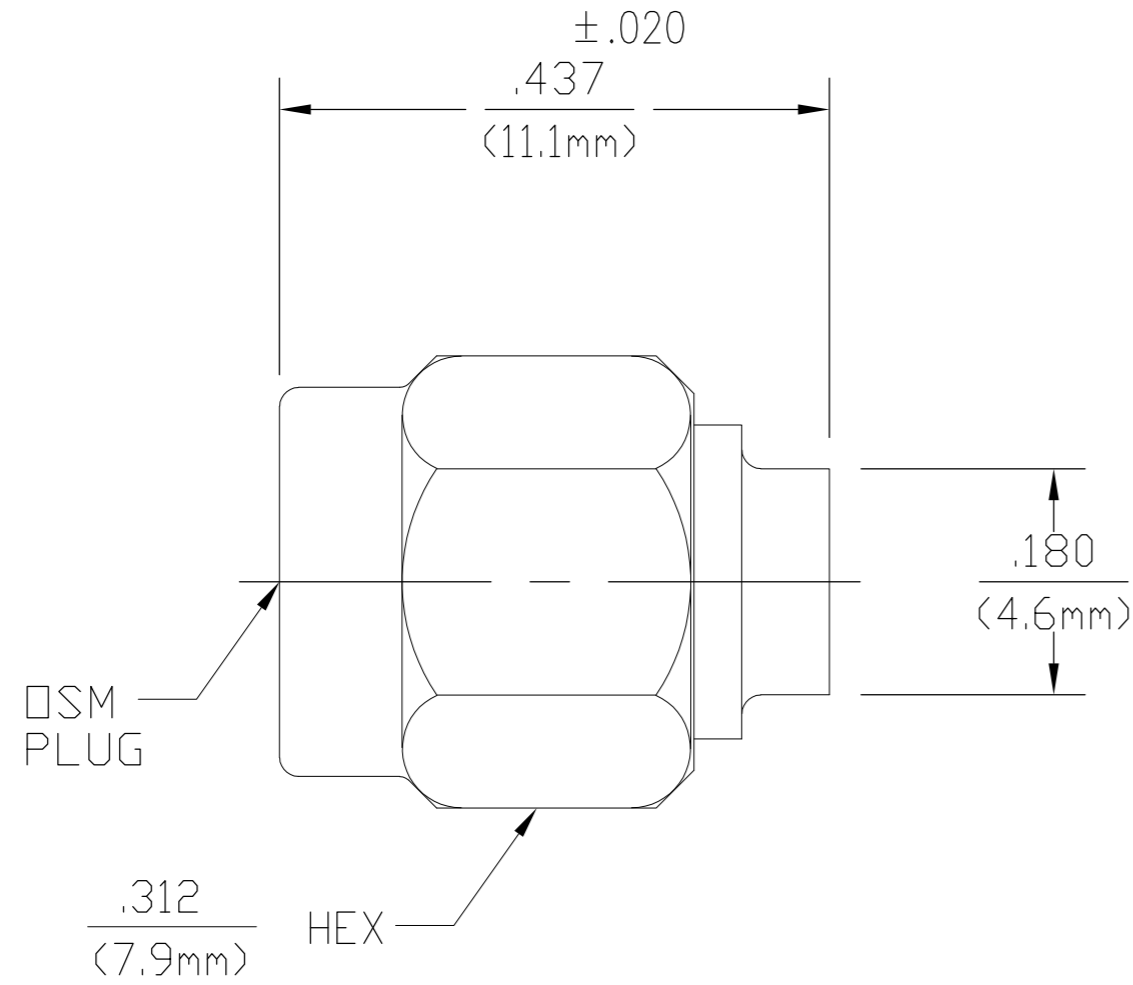


THIS DRAWING IS UNPUBLISHED. RELEASED FOR PUBLICATION
 © COPYRIGHT BY TYCO ELECTRONICS CORPORATION. ALL RIGHTS RESERVED.

DESIGNED FOR USE WITH .141 DIA SEMI-RIGID MICROPOROUS CABLE	
CABLE ENTRY DIAMETER MINIMUM	
HOUSING	.144
CONTACT	.046

LOC	DIST	REVISIONS					
AJ	00	P	LTR	DESCRIPTION	DATE	DWN	APVD
		B		REV PER ECO 07-004710	3/14/2007	DW	KW



1050762-1
PART NUMBER

ELECTRICAL	MECHANICAL	ENVIRONMENTAL
Nominal Impedance (Ohms) <u>50</u>	Interface Dimensions MIL-STD-348A, Fig. 310.1	TEMPERATURE RATING <u>-65°C TO +105°C</u>
Frequency Range (GHz) DC to <u>26.5</u>	Recommended Mating Torque <u>7-10 lbs</u>	Vibration MIL-STD-202, Method 204, Condition D.
Volt Rating (VRMS MAX) @ Sea Level <u>500</u>	Mating Characteristics: Insertion (MAX Lbs) <u>3.0</u>	Shock MIL-STD-202, Method 213, Condition I.
VSWR <u>1.05 +.005F</u>	Withdrawal (MIN Oz) <u>1.0</u>	Thermal Shock MIL-STD-202, Method 107, Condition B, EXCEPT HIGH TEMP SHALL BE +200°C
Insertion Loss (dB MAX) <u>.03 √fGHz</u>	Force to Engage and Disengage (In-Lbs MAX) <u>2.0</u>	Moisture Resistance MIL-STD-202, Method 106, Except Step 7 Shall Be Omitted.
RF Leakage (dB MIN) <u>-(100-f)</u>	Center Contact Captivation Axial (Lbs) <u>N/A</u>	Corrosion - MIL-STD-202, Method 101, Condition B, 5% salt spray
Corona, 70,000 Ft (VRMS MIN) <u>125</u>	Radial (In-Oz) <u>N/A</u>	
Dielectric Withstanding Voltage (VRMS MIN) @ 60 Hz <u>1,500</u>	Cable Retention Axial Force (Lbs) <u>60</u>	
Contact Resistance (Milliohms MAX) Center Contact <u>2.0</u>	Torque (In-Oz) <u>N/A</u>	
Outer Contact <u>2.0</u>	Weight (Grams) <u>TBD</u>	
Cable to Housing <u>0.5</u>		
RF High Potential @ Sea Level (VRMS MIN @ 5 MHz) <u>1,000</u>		
I.R.(Megohms MIN) <u>10,000</u>		

COMPONENT	MATERIAL	FINISH
HOUSING COUPLING NUT	STAINLESS STEEL PER ASTM-A484 AND ASTM-A582, TYPE 303	GOLD PLATE PER MIL-G-45204 OVER NICKEL PLATE PER QQ-N-290
DIELECTRIC	TFE FLUOROCARBON PER ASTM-D-1457	N/A
CENTER CONTACT	BERYLLIUM COPPER PER ASTM B 196, ALLOY C17300, CONDITION H OR BRASS PER ASTM-B-16	GOLD PLATE PER MIL-G-45204 OVER COPPER PLATE PER MIL-C-14550
RETAINING RING	BERYLLIUM COPPER PER ASTM B 194, ALLOY C17200, CONDITION H	N/A
GASKET	SILICONE RUBBER PER ZZ-R-765	N/A

THIS DRAWING IS A CONTROLLED DOCUMENT.		DWN DRF 11/8/77	Tyco Electronics Corporation Harrisburg, PA 17105-3608
DIMENSIONS: INCHES		CHK KWW 11/9/77	
TOLERANCES UNLESS OTHERWISE SPECIFIED:		APVD RMF 11/9/77	
0 PLC ± - 1 PLC ± - 2 PLC ± - 3 PLC ± - 4 PLC ± - ANGLES ± - FINISH -		NAME PRODUCT SPEC APPLICATION SPEC WEIGHT - CUSTOMER DRAWING	
MATERIAL -		SIZE A2	CAGE CODE 00779 DRAWING NO C=1050762 RESTRICTED TO - SCALE 5:1 SHEET 1 of 1 REV B

单击下面可查看定价，库存，交付和生命周期等信息

[>>TE Connectivity\(泰科\)](#)