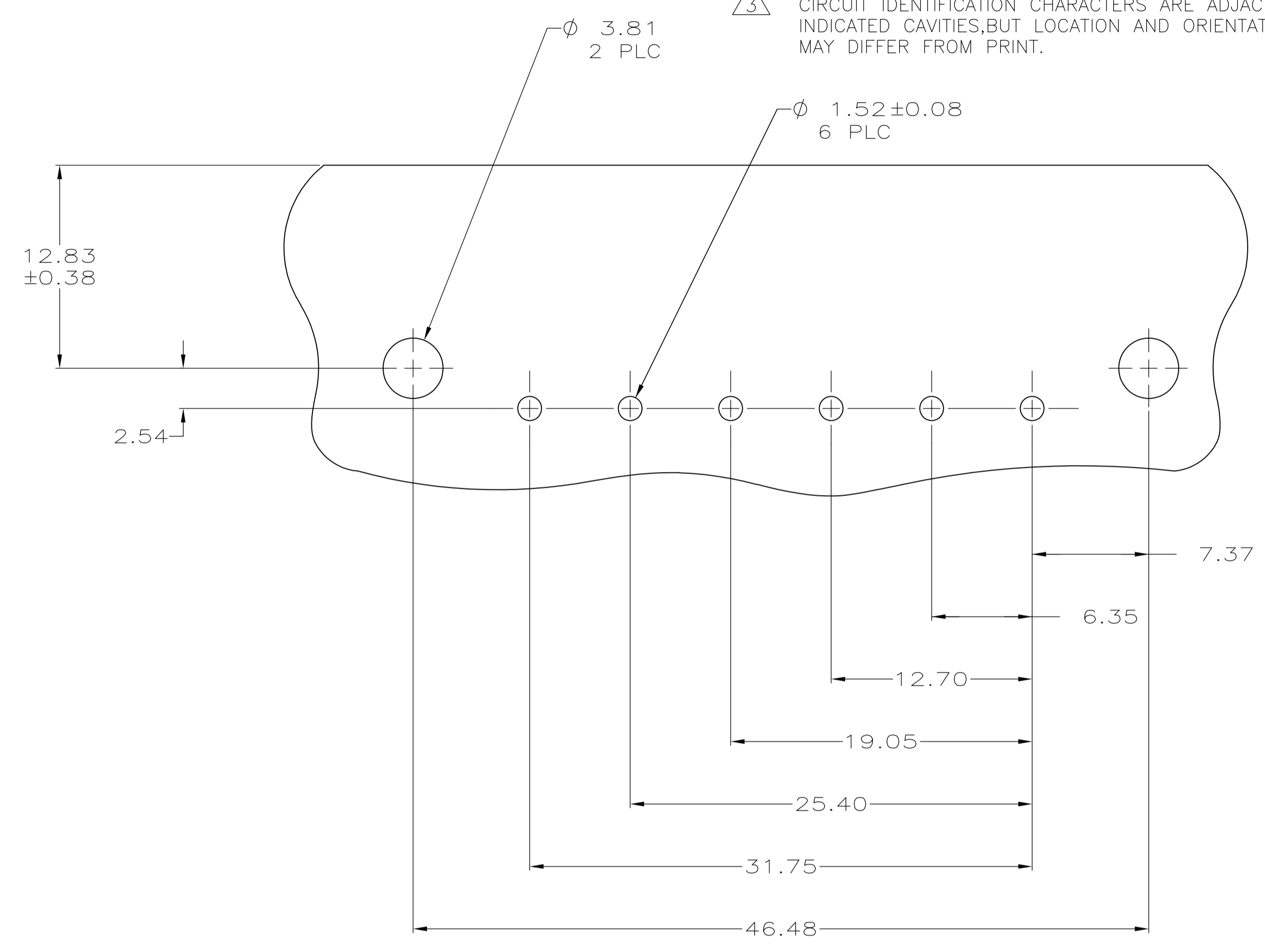
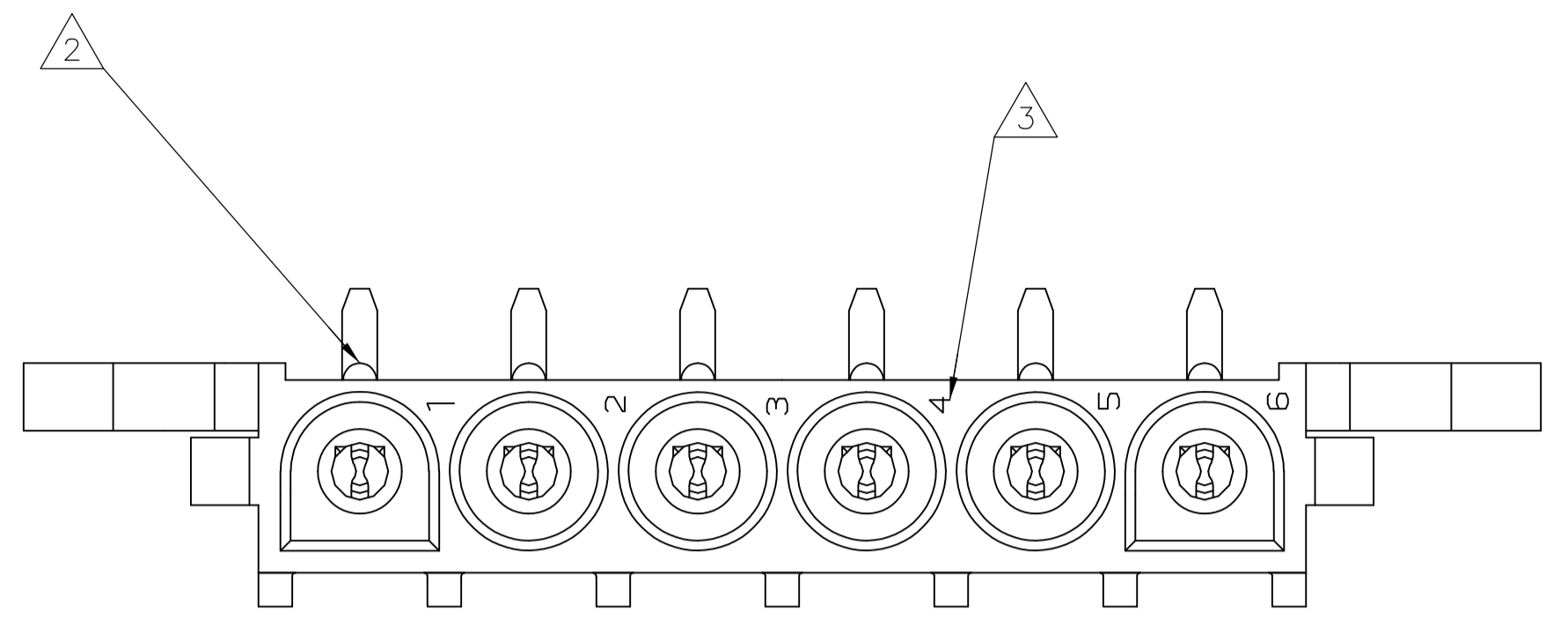
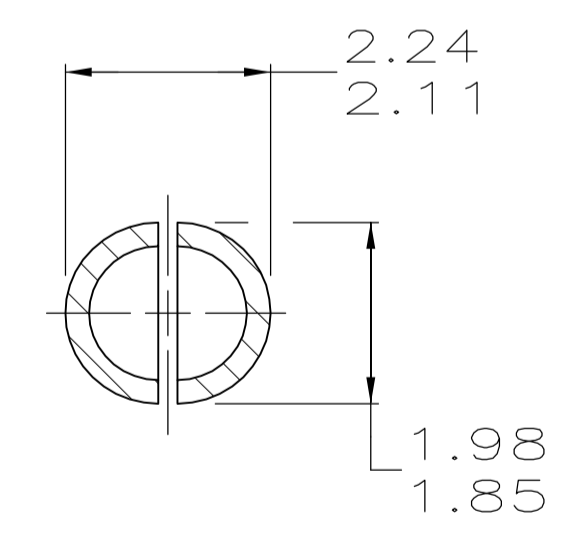
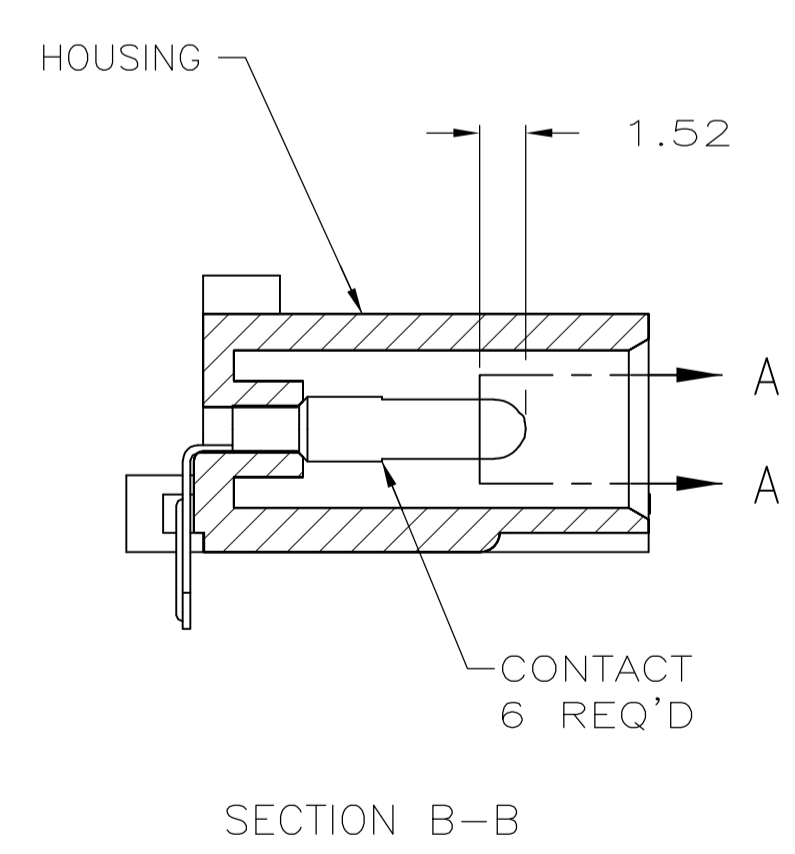
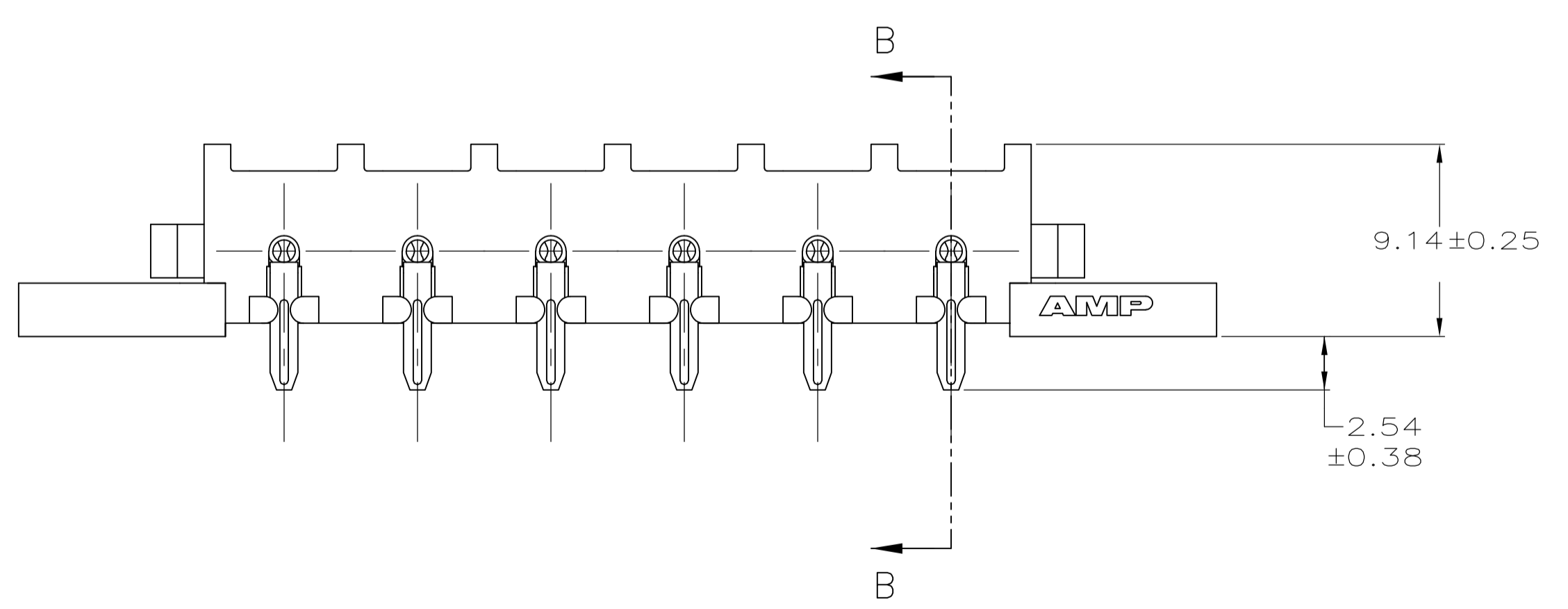
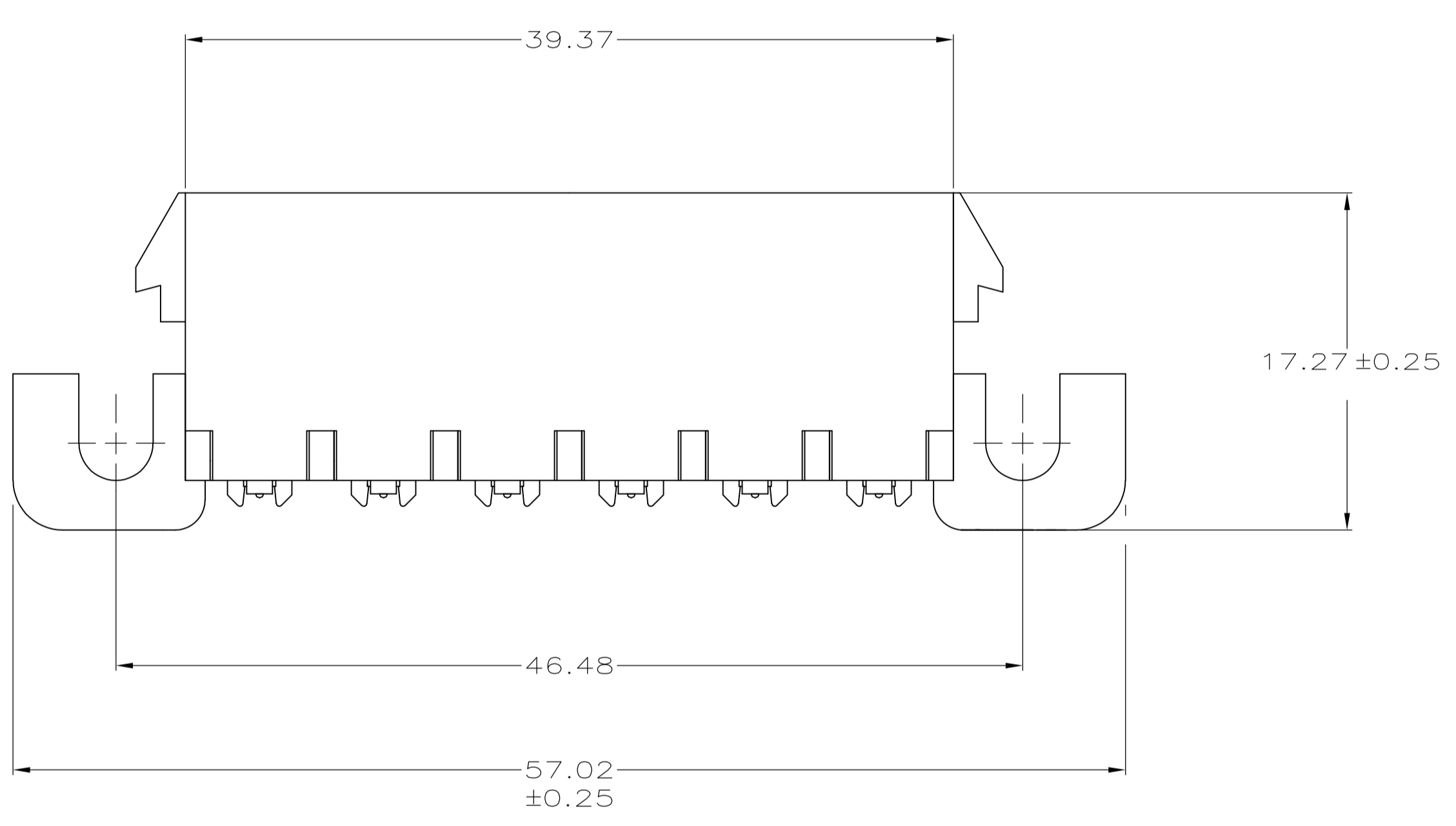


LOC		DIST		REVISIONS			
CM	53	REV	DATE	DESCRIPTION	DATE	BY	APPV
		D	23OCT2013	REVISED PER ECR-13-010643		KH	TM

- 1 PARTS COMPLY WITH AMP SOLDERABILITY SPEC 109-11-5.
- 2 OPTIONAL CONSTRUCTION MAY DELETE THIS RIB.
- 3 CIRCUIT IDENTIFICATION CHARACTERS ARE ADJACENT TO THE INDICATED CAVITIES, BUT LOCATION AND ORIENTATION MAY DIFFER FROM PRINT.



RECOMMENDED MOUNTING HOLE PATTERN FOR 1.57 THICK P.C. BOARD



SECTION A-A SCALE 10:1

MM	IN	MM	IN	MM	IN
1.98	.078	12.70	.500	57.02	2.245
1.85	.073	9.14	.360	46.48	1.830
1.57	.062	7.37	.290	39.37	1.550
1.52	.060	6.35	.250	31.75	1.250
0.38	.015	3.81	.150	25.40	1.000
0.25	.010	2.54	.100	19.05	.750
0.13	.005	2.24	.088	17.27	.680
0.08	.003	2.11	.083	12.83	.505

CONVERSION TABLE

	PH BRZ PRE-TIN	NYLON, UL94V-2,GRAY	794368-2
OBSOLETE	PH BRZ PRE-TIN	NYLON, UL94V-2,BLUE	794368-1
	CONTACT	HOUSING	PART NO

THIS DRAWING IS A CONTROLLED DOCUMENT.

DIMENSIONS: mm	TOLERANCES UNLESS OTHERWISE SPECIFIED:	DWN: K. WHITAKER 4-24-97 CHK: R. SWING 4-24-97 APVD: M. TRULL 5-13-97 NAME: M. TRULL PRODUCT SPEC: --- APPLICATION SPEC: --- WEIGHT: --- CUSTOMER DRAWING: ---	STC TE Connectivity PIN HEADER ASSEMBLY, RIGHT ANGLE MOUNT, 6 POSITION, UNIVERSAL MATE-N-LOK™ SIZE: A1 CAGE CODE: 00779 DRAWING NO: 794368 SCALE: 4:1 SHEET: 1 OF 1 REV: D
----------------	--	---	---

单击下面可查看定价，库存，交付和生命周期等信息

[>>TE Connectivity\(泰科\)](#)