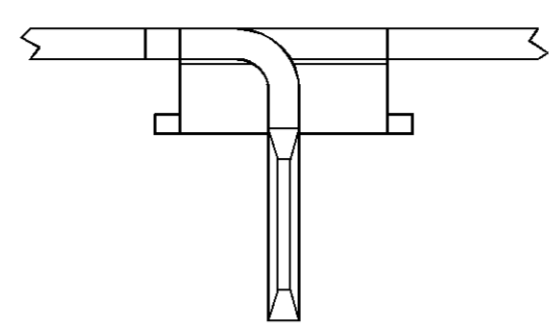
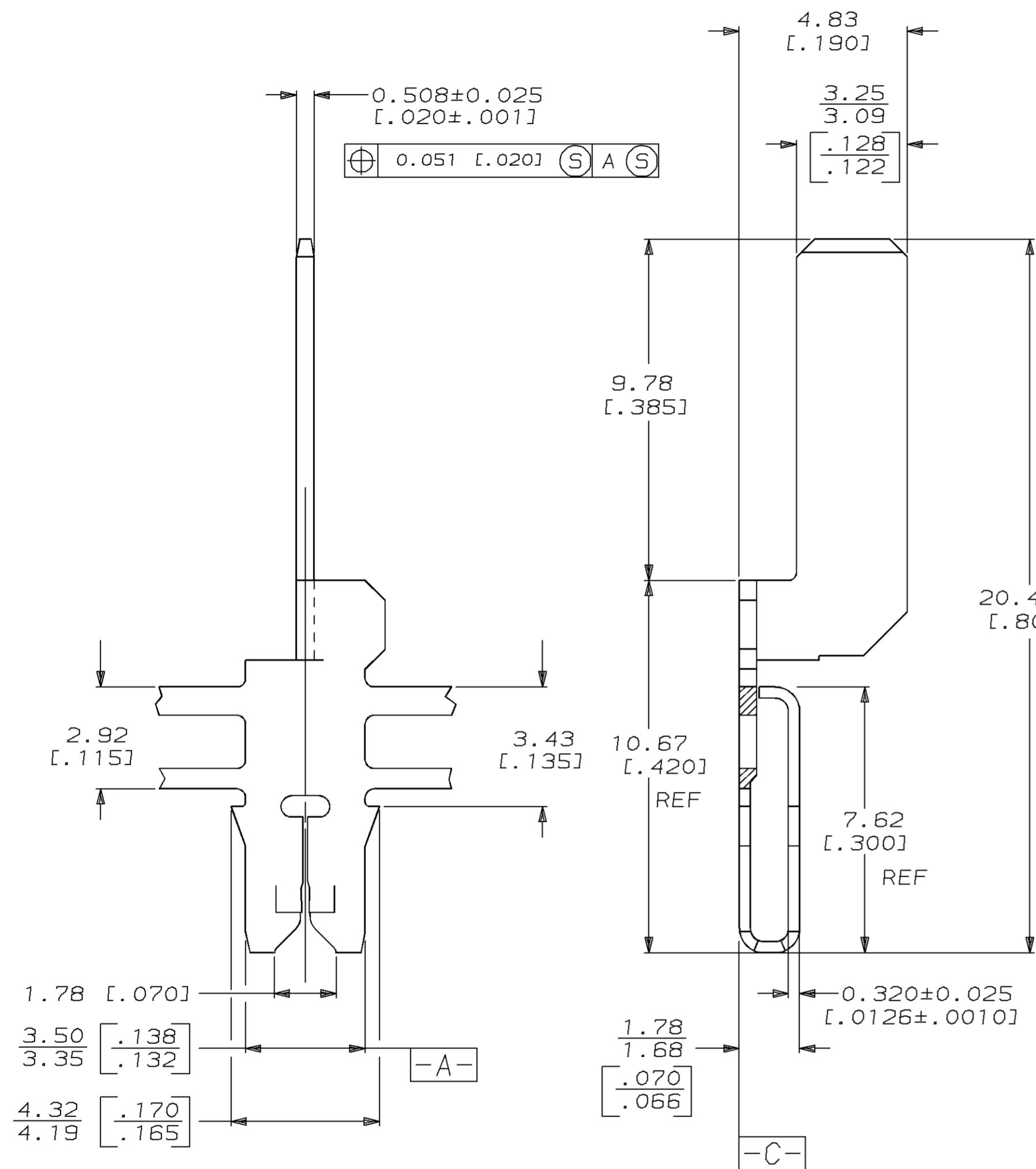


LOC		DIST		P		F		ZONE		LTR		REVISIONS		DATE	APPD
AF	50												DESCRIPTION	11/DEC/95	RG/NN
												REV PER 0710-0522-95			



- 1 SLOT TERMINATES 0.18-0.23mm [#33-#31] AWG COPPER MAGNET WIRE EITHER SINGLE OR DOUBLE OF THE SAME SIZE.
- 2 CONTINUOUS STRIP ON REELS WITH TERMINALS LOCATED ON 8.38±0.08 [.330±.003] CENTERS.


0.25 [.010] MAX CUT-OFF TABS TYP

IDENTIFICATION NUMBER 4 FOR MAGNET WIRE RANGE

AMP

63806-1

PART NO

DO NOT SCALE PRINT. UNLESS SPECIFIED DIMENSIONS IN mm [INCHES] TOLERANCES ON: 2 PLC DEC ± 0.25 [.010] 3 PLC DEC ± - ANGLES ± -	DR 19/SEP/94 MICHAEL S. FEHER	 AMP Incorporated Harrisburg, PA 17105-3608
	CHK 21/SEP/94 JEFF R. RUTH	
APPD 21/SEP/94 NELSON E. NEFF		
APPD 21/SEP/94 TERRY L. SHUTTER		
MATERIAL #4M PRE-MILLED BRASS	PRODUCT SPEC 108-2012	NAME TERMINAL, TAB, 3.18 [.125], MAG-MATE™
FINISH 0.002032 [.000080] MIN TIN PER MIL-T-10727	APPLICATION SPEC 114-2046	SIZE C 00779
	WEIGHT -	DRAWING NO C=63806
		SCALE 8:1
		SHEET 1 OF 1

THIS DRAWING IS A CONTROLLED DOCUMENT FOR AMP INCORPORATED. IT IS SUBJECT TO CHANGE AND THE CONTROLLING ENGINEERING ORGANIZATION SHOULD BE CONTACTED FOR THE LATEST REVISION.

单击下面可查看定价，库存，交付和生命周期等信息

[>>TE Connectivity\(泰科\)](#)