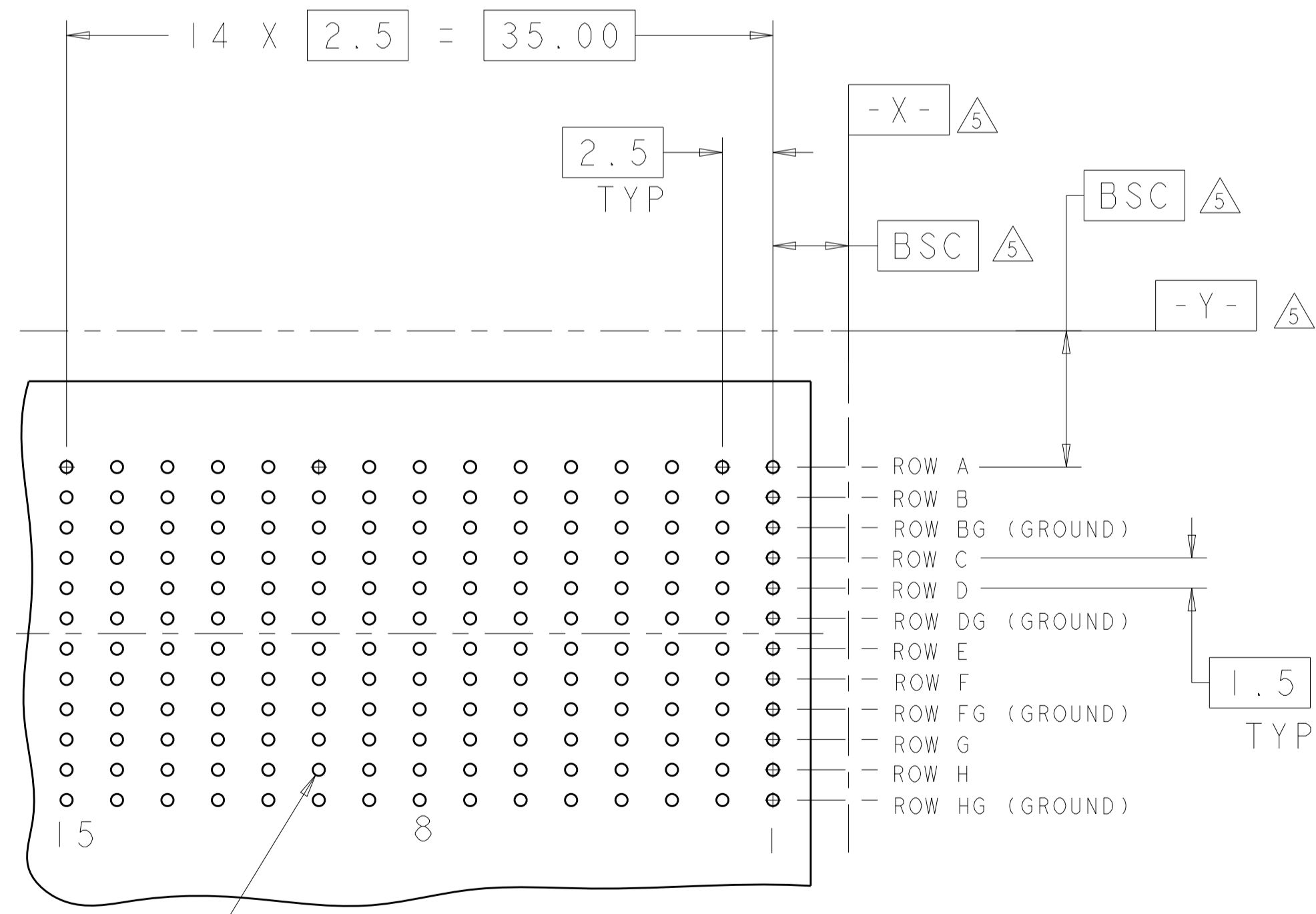
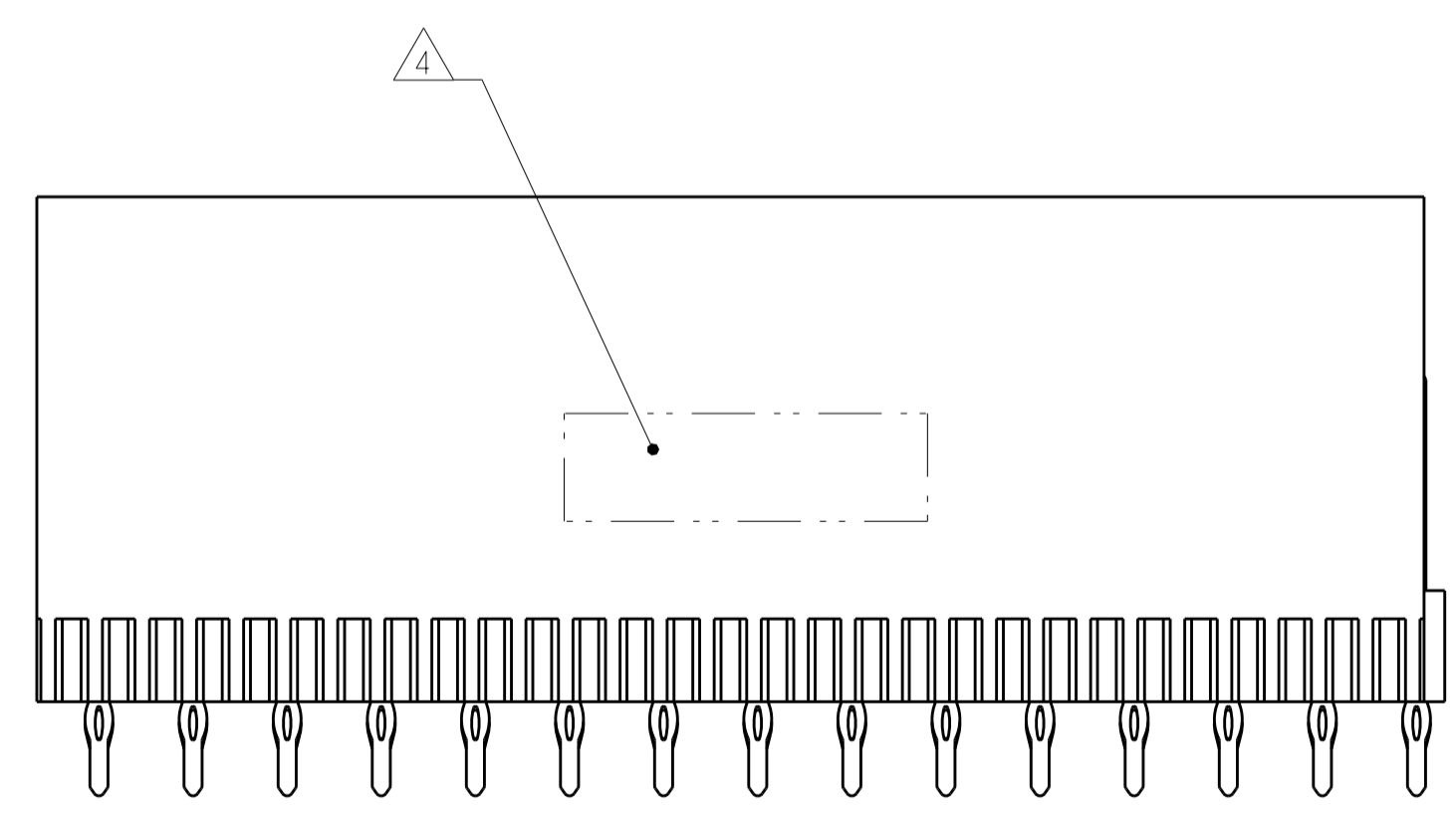
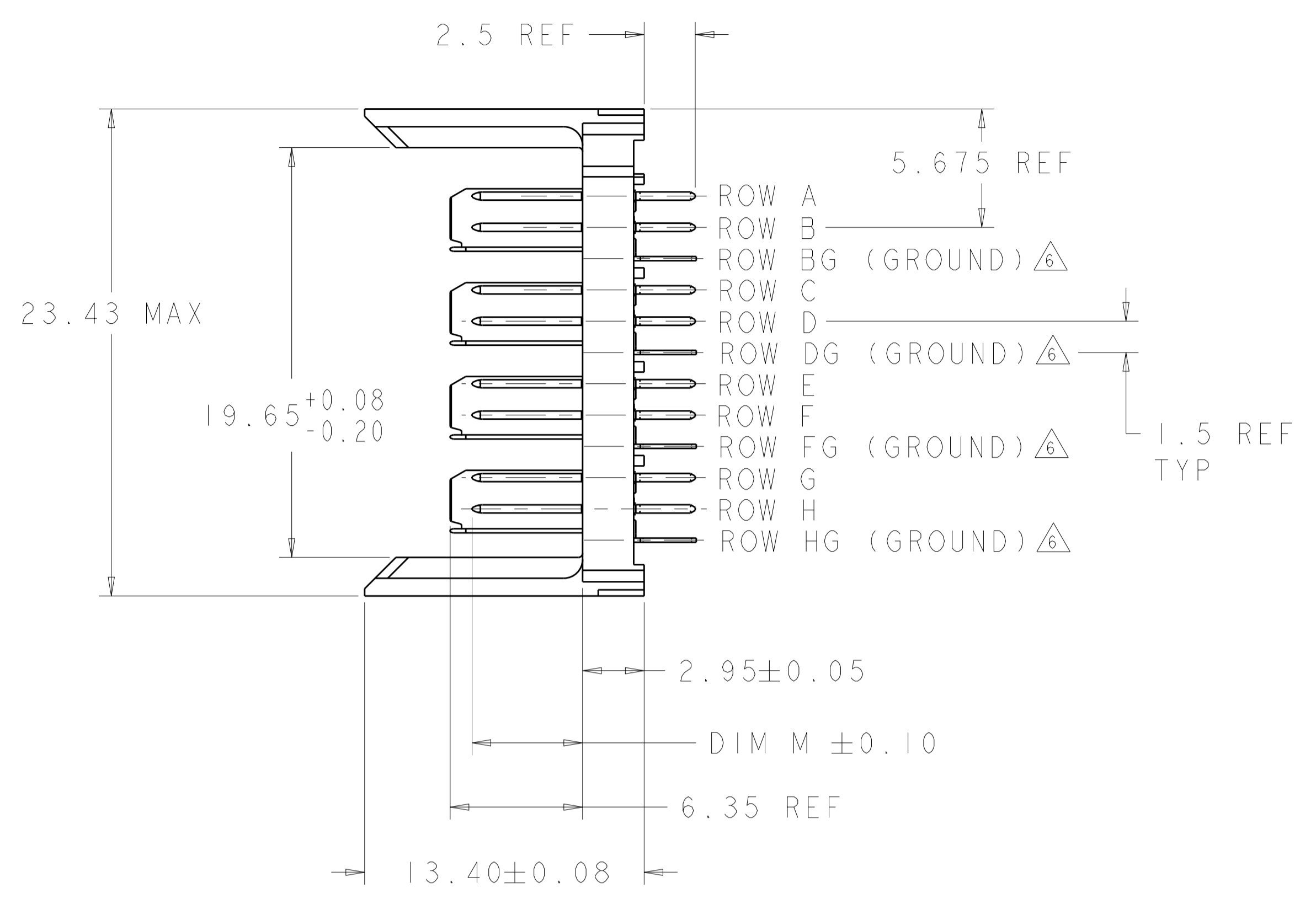
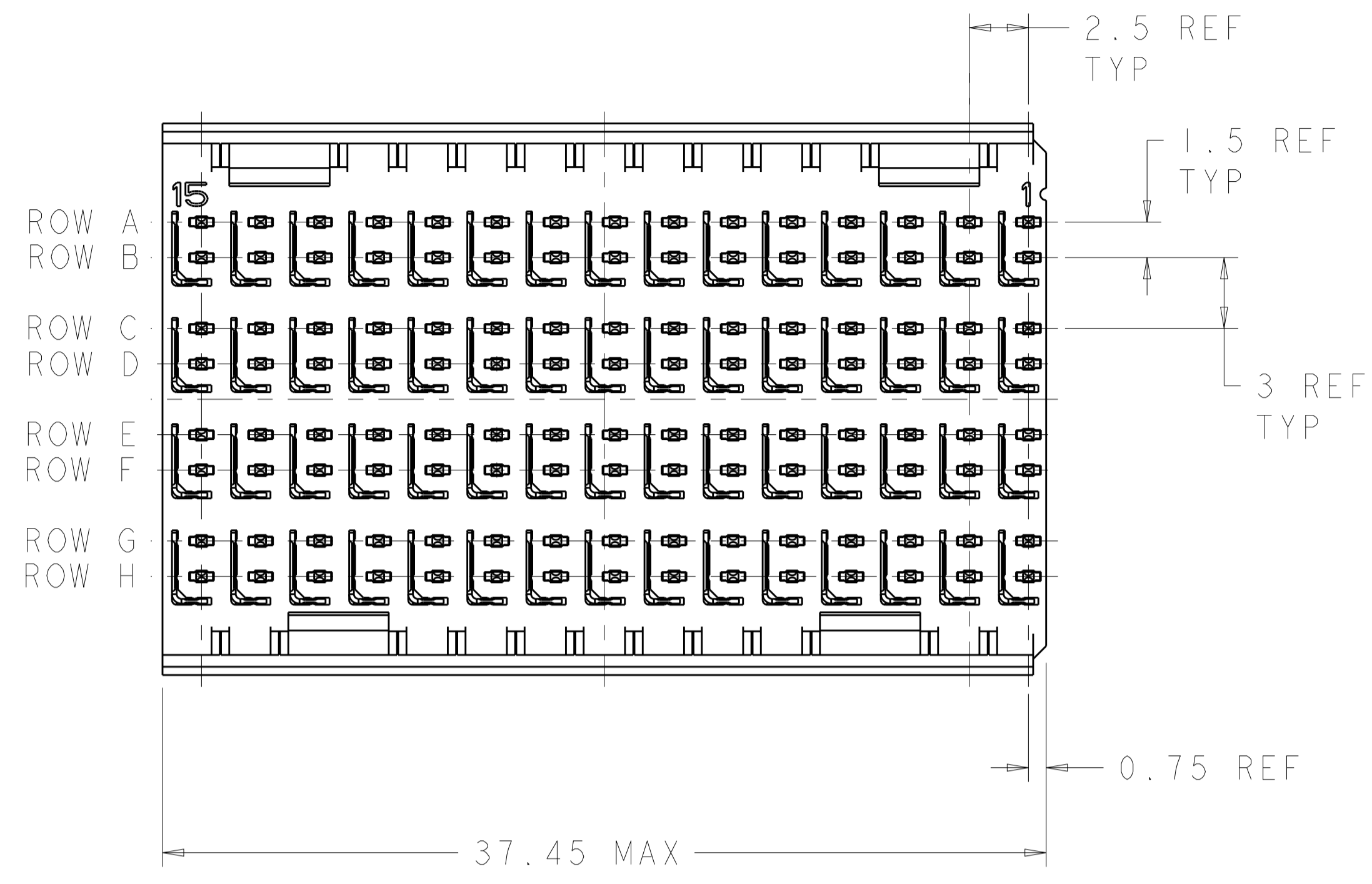


LOC		DIST		REVISIONS			
AD	00	P	LTH	DESCRIPTION	DATE	DWN	APVD
		D1		REVISED PER ECO-13-003342	04MAR2013	KH	MH



⊕ Ø0.05 X Y
 ALL PLATED THRU HOLES
 RECOMMENDED PC BOARD LAYOUT, BACKPLANE, COMPONENT SIDE SHOWN SCALE 4:1

- 1 REFERENCE APPLICATION SPEC 114-13059 FOR RECOMMENDED PLATED THRU HOLE DIAMETER AND PLATING THICKNESSES.
- 2 MATERIAL:
 CONTACT AND SHIELD - PHOSPHOR BRONZE
 HOUSING - GLASS FILLED POLYESTER, UL 94V-0.
- 3 FINISH: SIGNAL AND GROUND CONTACTS:
 MATING AREA: MEETS THE PERFORMANCE REQUIREMENTS OF PRODUCT SPECIFICATION 108-2055; BASED ON TELCORDIA GR-1217-CORE, APPLICATIONS IN UNCONTROLLED ENVIRONMENTS
 COMPLIANT PIN AREA: 0.5 μm MIN BRIGHT TIN-LEAD OVER BASE PLATING
- 4 CONNECTOR MARKED WITH PART NUMBER AND DATE CODE.
- 5 DATUMS AND BASIC DIMENSIONS ESTABLISHED BY CUSTOMER.
- 6 THE FOUR GROUNDS IN EACH COLUMN ARE COMMONED.
- 7. CONTACT AREA LUBRICATED WITH BELLCORE APPROVED LUBRICANT. TECHNICAL REFERENCE: GR-1217-CORE, ISSUE 1, NOVEMBER 1995.
- 8 OBSOLETE PARTS: OBSOLETE CIS STREAMLINING PER D.RENAUD/D.SINISI

OBSELETE	3.80	1469296-2
	5.30	1469296-1
	DIM M	PART NUMBER

THIS DRAWING IS A CONTROLLED DOCUMENT.		DWN 25MAR2003		TE Connectivity	
DIMENSIONS:		CHK S. J. MAGARO 25MAR2003		NAME HEADER ASSEMBLY, 4 PAIR, 2.5mm TAIL, 37.5mm HMZd	
TOLERANCES UNLESS OTHERWISE SPECIFIED:		CHK R. A. PATTERSON 25MAR2003			
mm	0 PLC ±	APVD R. A. PATTERSON 19MAY2003		SIZE CAGE CODE DRAWING NO	
	1 PLC ±	PRODUCT SPEC		RESTRICTED TO	
	2 PLC ±	APPLICATION SPEC		A100779C=1469296	
	3 PLC ±	MATERIAL		WEIGHT	
	4 PLC ±	FINISH		SCALE 5:1 SHEET 1 OF 1 REV D1	
	ANGLES ±	Customer Drawing			

单击下面可查看定价，库存，交付和生命周期等信息

[>>TE Connectivity\(泰科\)](#)