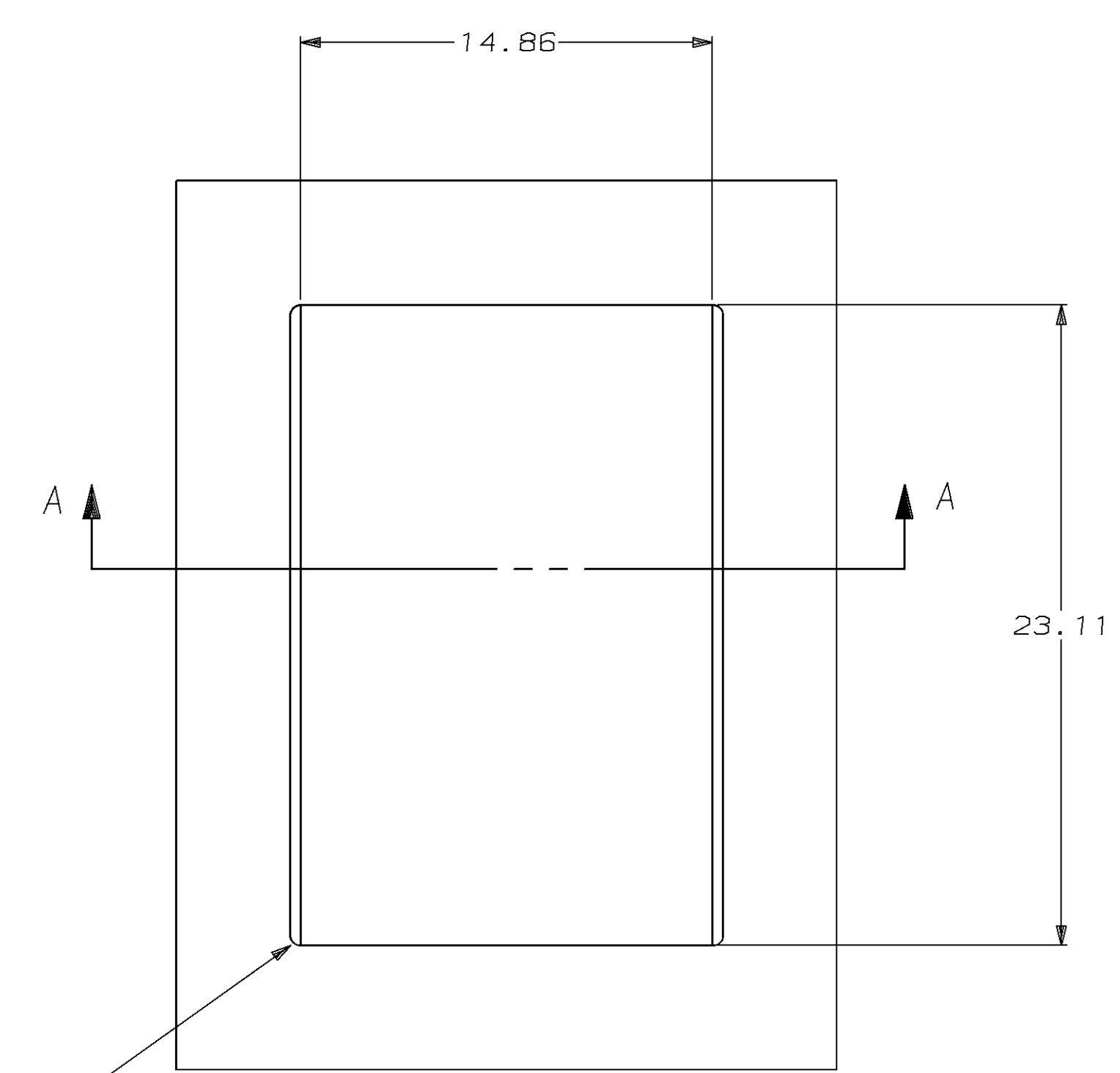
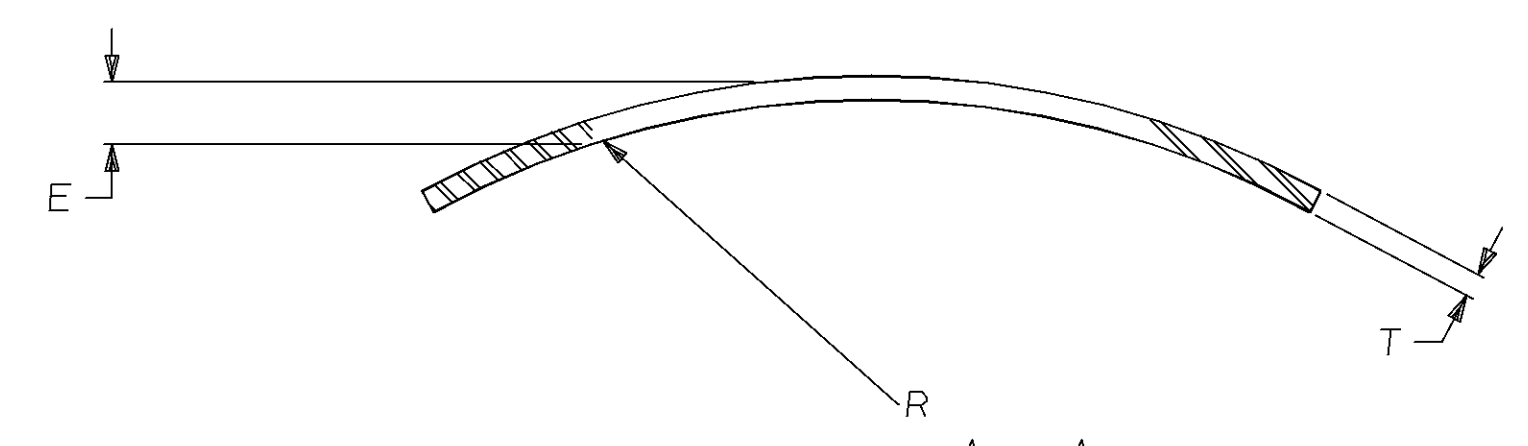


1. TO BE USED WITH DUAL LANCE MATE-N-LOK™ PINS.
2. TO BE USED WITH PLUG 480283.
3. EFFECTIVE PANEL THICKNESS 'E' IS 1.02-2.54 AND IS DEPENDENT ON 'T' AND 'R'.
4. CAP MUST BE INSERTED IN A ROCKING MANNER.
5. THE PANEL MUST BE PUNCHED SO THAT THE HOUSING ENTERS THE PANEL IN THE SAME DIRECTION AS THE PUNCH.
6. PANEL MUST NOT HAVE ANY MATERIAL (PAINT, PORCELAIN, ETC) APPLIED IN THE MOUNTING HOLE AREA THAT WOULD DECREASE RETENTION OF THE HOUSING IN THE PANEL.

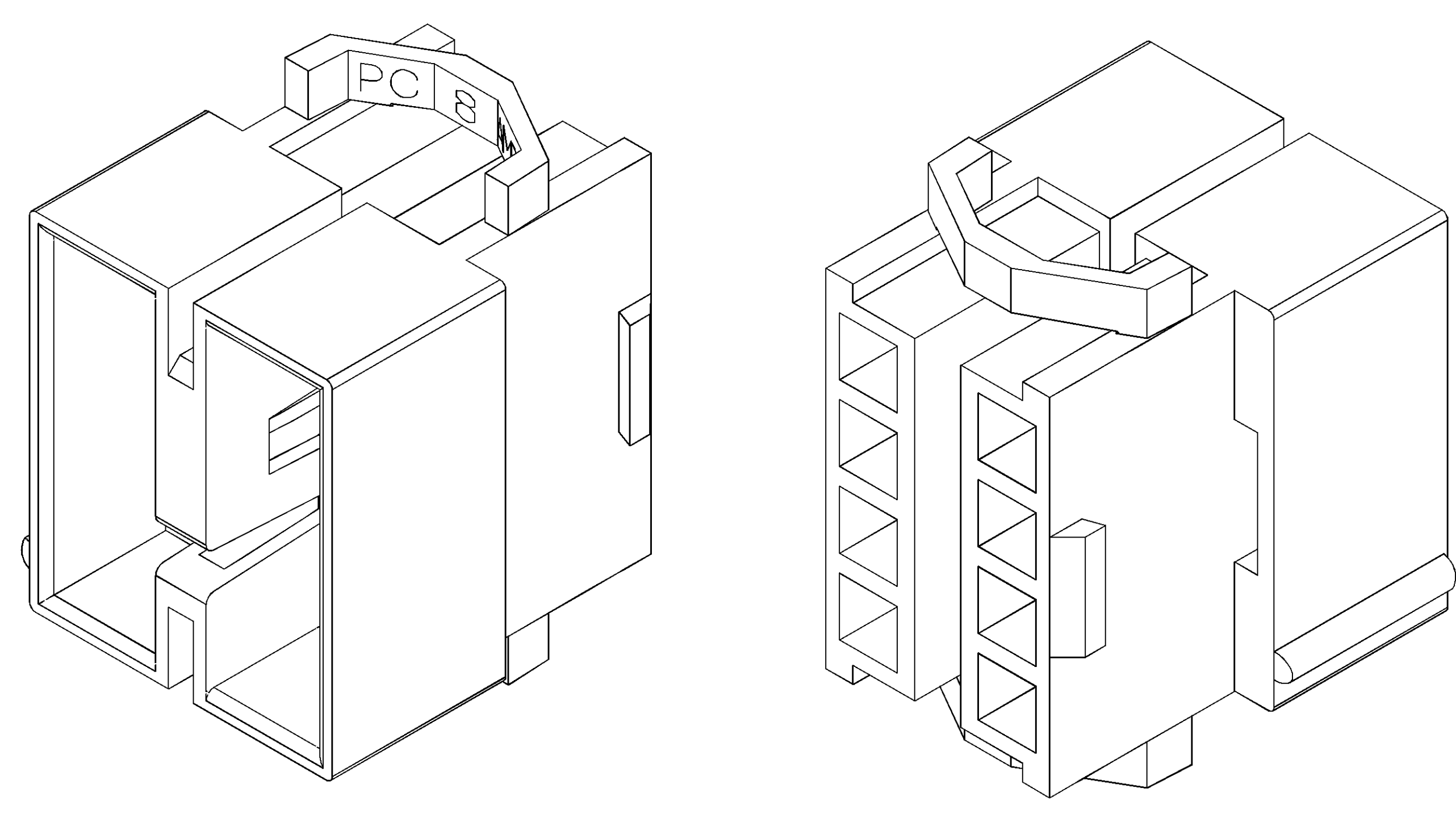


R 0.38 MAX
ALL CORNERS



SECTION A-A

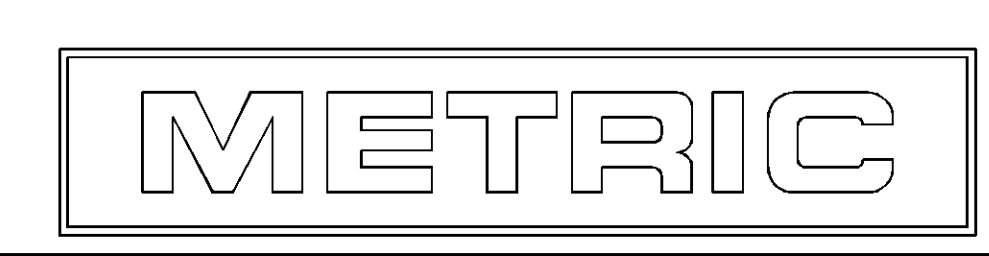
RECOMMENDED PANEL MOUNTING BRACKET



3-DIMENSIONAL MODEL NTS

MM	IN	MM	IN
17.75	.699	-	-
14.86	.585	28.45	1.120
14.73	.580	23.62	.930
2.54	.100	23.11	.910
1.02	.040	22.86	.900
0.38	.015	19.94	.785

794048-1
PART NUMBER



<p>ALL DIMENSIONS UNLESS OTHERWISE SPECIFIED ARE IN MILLIMETERS.</p> <p>UNLESS OTHERWISE SPECIFIED, DIMENSIONS ARE TO BE TAKEN TO THE CENTER OF THE HOLE.</p>	<p>DATE: 08-05-94</p> <p>BY: B. LEWIS</p> <p>CHKD: SKWING</p> <p>APPD: J. MARTIN</p>	<p>AMP AMP Incorporated Harrisburg, PA 17105-3608</p>
<p>UNLESS OTHERWISE SPECIFIED, DIMENSIONS ARE TO BE TAKEN TO THE CENTER OF THE HOLE.</p> <p>UNLESS OTHERWISE SPECIFIED, DIMENSIONS ARE TO BE TAKEN TO THE CENTER OF THE HOLE.</p>	<p>PRODUCT SPEC: 8 CIRCUIT CAP MATE-N-LOK™</p> <p>APPROXIMATION SPEC: -</p>	<p>SCALE: 5:1</p> <p>SHEET: 1 OF 1</p> <p>REV: 0</p>

单击下面可查看定价，库存，交付和生命周期等信息

[>>TE Connectivity\(泰科\)](#)