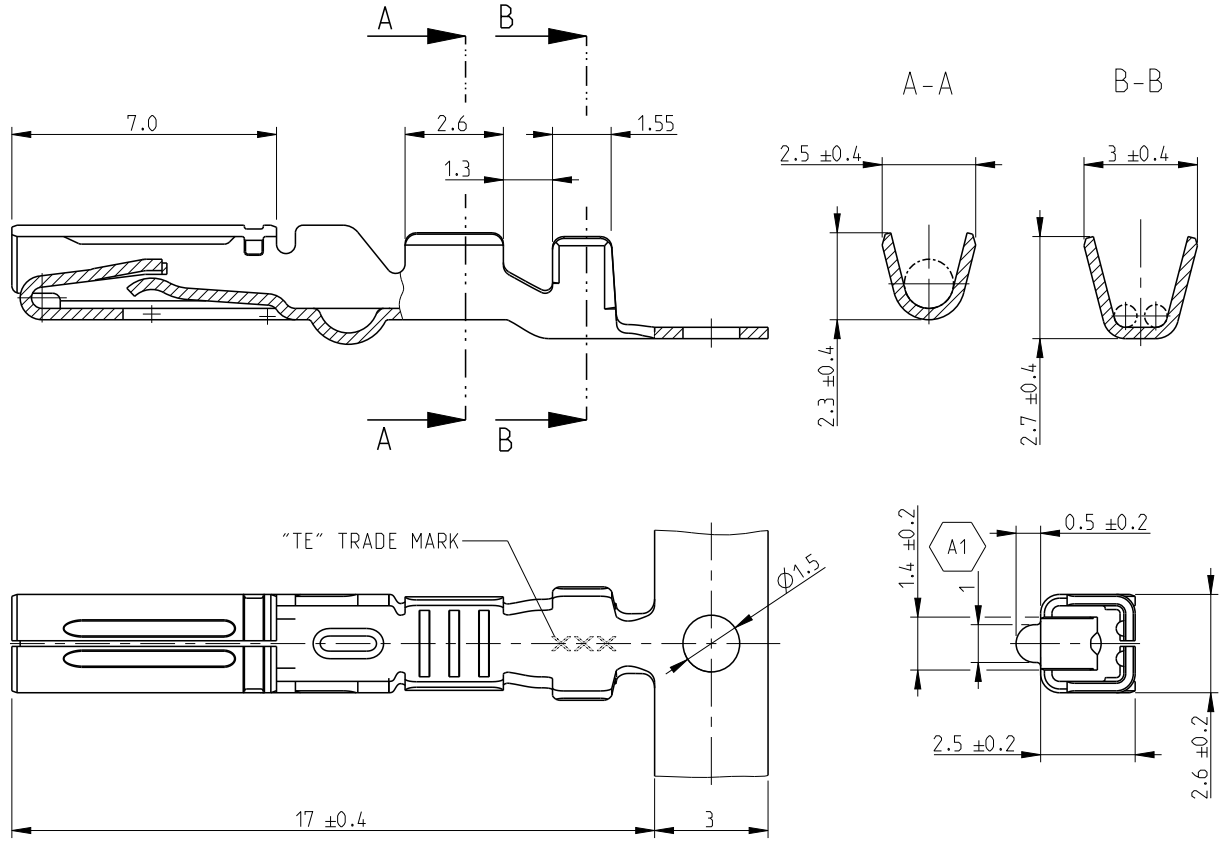


| REVISIONS | | | | | |
|-----------|-----|-----------------|-----------|-----|------|
| P | LTR | DESCRIPTION | DATE | DWN | APVD |
| | A1 | Redrawn to Creo | 10MAR2017 | JJH | JP |
| | | | | | |
| | | | | | |



1. DELIVERY STATE: ITEM IS SUPPLIED REELED ON CARTON REEL WITH STRIP PITCH = 11.9 ± 0.2mm
 STATO DI FORNITURA: AVVOLTI SU BOBINA CON PASSO TRA TERMINALI DI = 11.9 ± 0.2mm

CUSTOMER DRAWING FOR INFORMATION ONLY
 DISEGNO PER CLIENTE SOLO PER RIFERIMENTO

20

RELEASED FOR PUBLICATION

THIS DRAWING IS UNPUBLISHED.

ALL RIGHTS RESERVED.

BY -

© COPYRIGHT 20



| | |
|-------------------------------------|----------------------------|
| INS. DIA. RANGE (DIAM. ISOLANTE) | WIRE RANGE (RANGO FILO) |
| Ø1.45 - 1.7mm | 0.35 - 0.5mm ² |

| | | |
|------------------------------------|-------------------------|-------------|
| PRE-TIN (PRE-STAGNATO) | BRASS (OTTONE) | 282419-1 |
| FINISH/COLOUR (FINITURE/COLORE) | MATERIAL (MATERIALE) | PART NUMBER |

| | | | | | | | | | | | | | |
|---|-----------------------------------|------------------|----------------|------------------------|--------------------|-----------|-------|---|-------|---|-------|---|-----------|
| DIMENSIONS: mm | DWN M. CASAGRANDE 09NOV1992 | MATERIAL | FINISH | | | | | | | | | | |
| TOLERANCES UNLESS OTHERWISE SPECIFIED: | CHK G. VIGNOLI 21APR1993 | TE Connectivity | | | | | | | | | | | |
| <table border="1"> <tr> <td>Ø PLC</td> <td>±</td> </tr> <tr> <td>1 PLC</td> <td>±</td> </tr> <tr> <td>2 PLC</td> <td>±</td> </tr> <tr> <td>3 PLC</td> <td>±</td> </tr> <tr> <td>4 PLC</td> <td>±</td> </tr> </table> ±0.3 | Ø PLC | | | ± | 1 PLC | ± | 2 PLC | ± | 3 PLC | ± | 4 PLC | ± | APVD - |
| Ø PLC | ± | | | | | | | | | | | | |
| 1 PLC | ± | | | | | | | | | | | | |
| 2 PLC | ± | | | | | | | | | | | | |
| 3 PLC | ± | | | | | | | | | | | | |
| 4 PLC | ± | | | | | | | | | | | | |
| ANGLES ±2° | APPLICATION SPEC 114-20061 | SIZE A 4 | CAGE CODE - | DRAWING NO C=282419 | RESTRICTED TO - | | | | | | | | |
| | WEIGHT - | CUSTOMER DRAWING | | SCALE 5:1 | SHEET 1 OF 1 | REV A1 | | | | | | | |

单击下面可查看定价，库存，交付和生命周期等信息

[>>TE Connectivity\(泰科\)](#)