

4

3

2

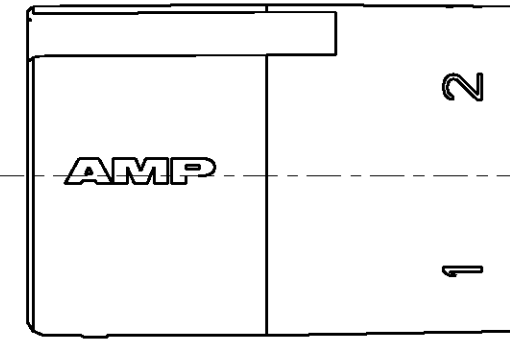
1

THIS DRAWING IS UNPUBLISHED. RELEASED FOR PUBLICATION .19  
 © COPYRIGHT 19 BY AMP INCORPORATED. ALL RIGHTS RESERVED.

LOC	DIST	REVISIONS			
P	LTR	DESCRIPTION	DATE	DWN	APVD
CM	53	C	REVISD PER EC 0G3B-0015-99	19JULY99	KW KC

D

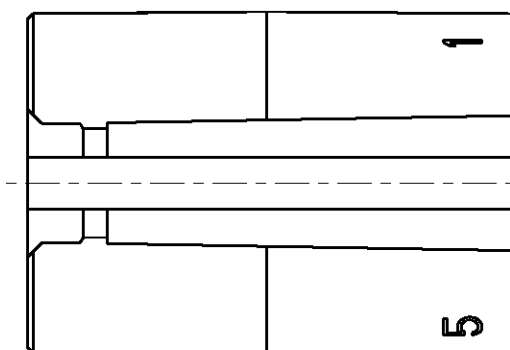
D



- 1 MATERIAL: UL 94V-2 RATED NYLON. COLOR- NATURAL.
- 2 MOLD CAVITY IDENTIFICATION LOCATED ON THIS SURFACE.
- 3 WIRE RANGE: 0.4 mm<sup>2</sup> (22 AWG). INSULATION RANGE: 0.065 (.0026) MAX DIAMETER.

C

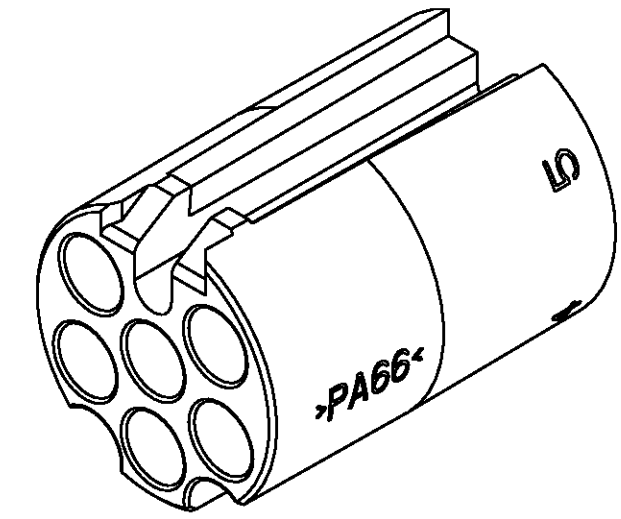
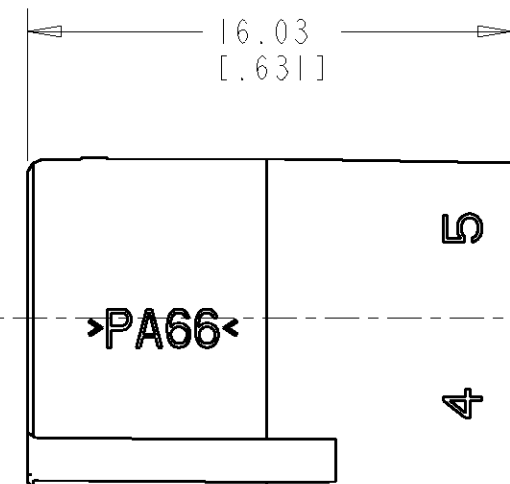
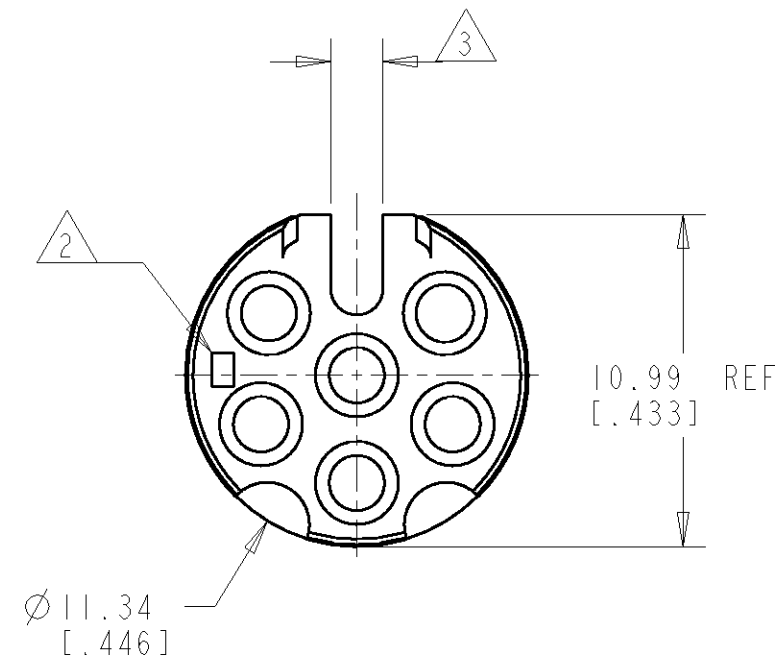
C



4. DIMENSIONS IN BRACKETS ARE IN INCHES.

B

B




794436-1  
PART NUMBER

A

A

**METRIC**

<small>THIS DRAWING IS A CONTROLLED DOCUMENT FOR AMP INCORPORATED. IT IS SUBJECT TO CHANGE AND THE CONTROLLING ENGINEERING ORGANIZATION SHOULD BE CONTACTED FOR THE LATEST REVISION.</small>		DWN K. WHITAKER 29JUN1998 CHK R. SWING 29JUN1998 APVD C. CASH 29JUN1998	<b>AMP</b> AMP Incorporated Harrisburg, PA 17105-3608
DIMENSIONS: mm [ INCHES ]	TOLERANCES UNLESS OTHERWISE SPECIFIED: 0 PLC ± 1 PLC ±0.2 [.01] 2 PLC ±0.13 [.005] 3 PLC ± 4 PLC ± ANGLES ±	PRODUCT SPEC - APPLICATION SPEC - WEIGHT -	NAME RECEPTACLE HOUSING, HINGE CONNECTOR, MINI UNIVERSAL MATE-N-LOK™
MATERIAL - 	FINISH -	SIZE A3	CAGE CODE 00779
		DRAWING NO C-794436	SCALE 4:1
		SHEET 1 OF 1	REV C
		CUSTOMER DRAWING	

单击下面可查看定价，库存，交付和生命周期等信息

[>>TE Connectivity\(泰科\)](#)