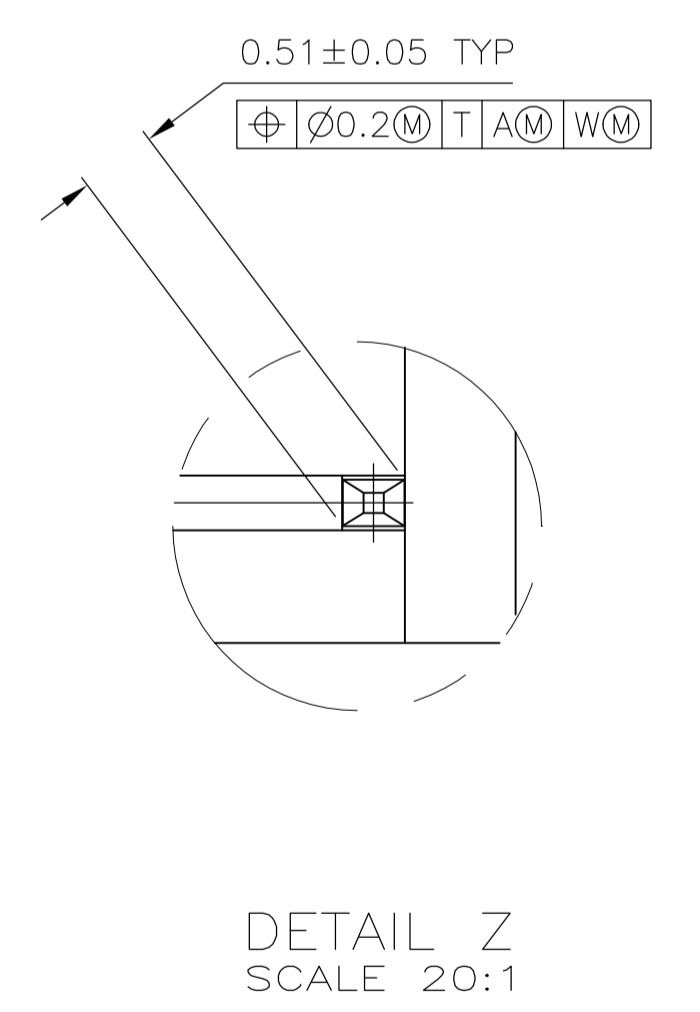


RECOMMENDED CIRCUIT PATTERN PER IPC-D300 TYPE II, CLASS C (COMPONENT SIDE)

- 1 HOUSING MATERIAL: LIQUID CRYSTAL POLYMER.
- 2 CONTACT MATERIAL: PHOSPHOR-BRONZE.
- 3 CONTACT FINISH:(D)  
 UNDERPLATE (ENTIRE CONTACT):  
 0.00127 MIN NICKEL PER SAE-AMS-QQ-N-290  
 ON MATING SURFACES:  
 FLASH GOLD PER ASTM B 488, OVER  
 0.00076 MIN PALLADIUM-NICKEL OVER UNDERPLATE, OR  
 0.00076 MIN GOLD [ER ASTM B 488 OVER UNDERPLATE.  
 ON LEADS:  
 0.00381 MIN MATTE TIN PER ASTM B 545 OVER UNDERPLATE.  
 LUBRICATION (MIN MATING SURFACES):  
 SURFACE CONDITIONER AFTER PLATING.



10	5	6	1	11.88	3	8	5536607-1
E	D	C	B	A	FINISH	NO OF POSN	PART NUMBER
THIS DRAWING IS A CONTROLLED DOCUMENT.				DIN D.R.BENDER 08/10/92		STE TE Connectivity	
DIMENSIONS: mm		TOLERANCES UNLESS OTHERWISE SPECIFIED:		CHK S.HEADER 01/25/93		NAME	
0 PLC ± -		1 PLC ± -		PRODUCT SPEC		Z-PACK 2mm FB, POWER MODULE, RCPT. ASS'Y.	
1 PLC ± -		2 PLC ± .13		APPLICATION SPEC		4 ROW, 2.73 mm LEAD LENGTH	
2 PLC ± -		3 PLC ± -		MATERIAL		SIZE CASE CODE DRAWING NO	
3 PLC ± -		4 PLC ± -		WEIGHT		A1 00779 C=5536607	
4 PLC ± -		ANGLES ± -		CUSTOMER DRAWING		RESTRICTED TO	
1		2		3		SCALE 4:1 SHEET 1 OF 1 REV A3	

单击下面可查看定价，库存，交付和生命周期等信息

[>>TE Connectivity\(泰科\)](#)