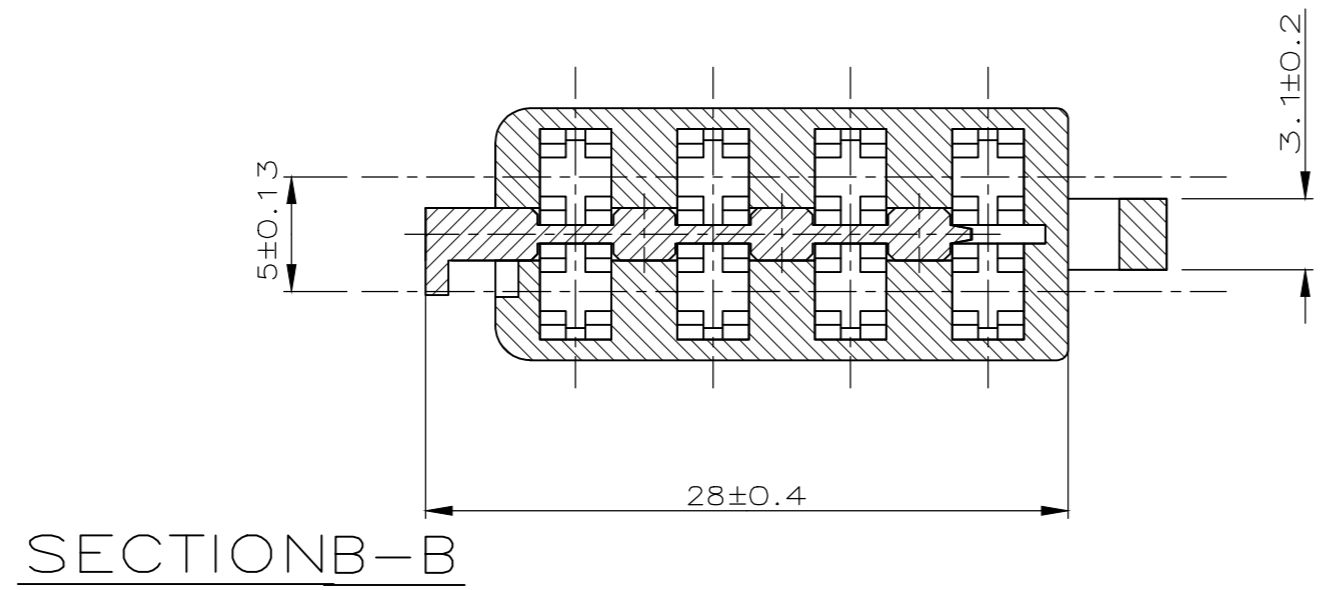
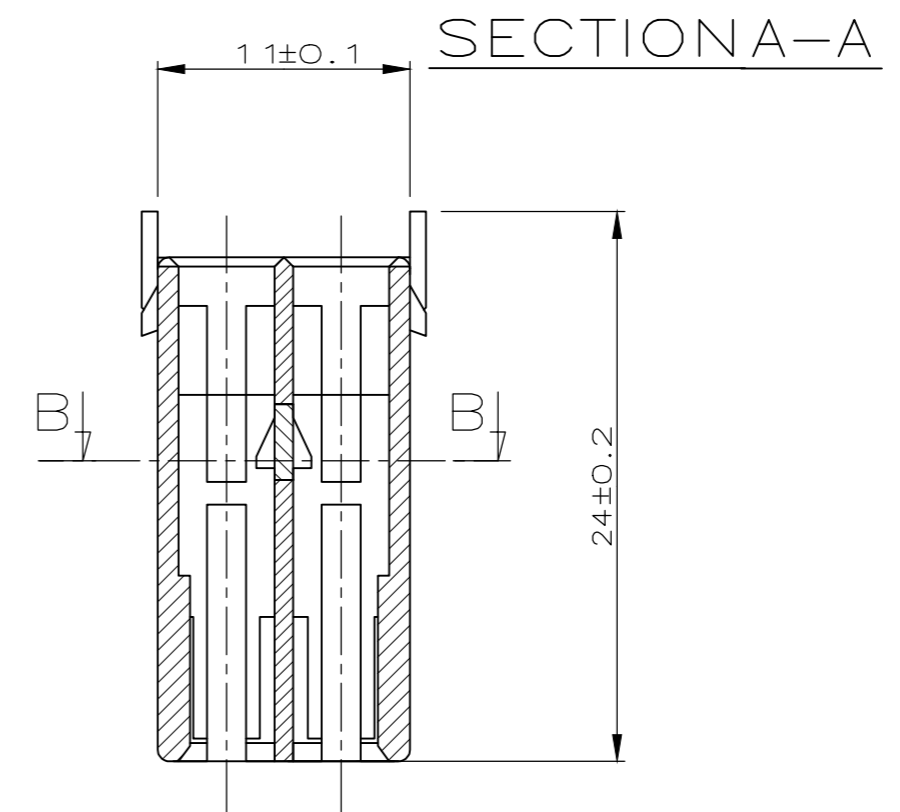
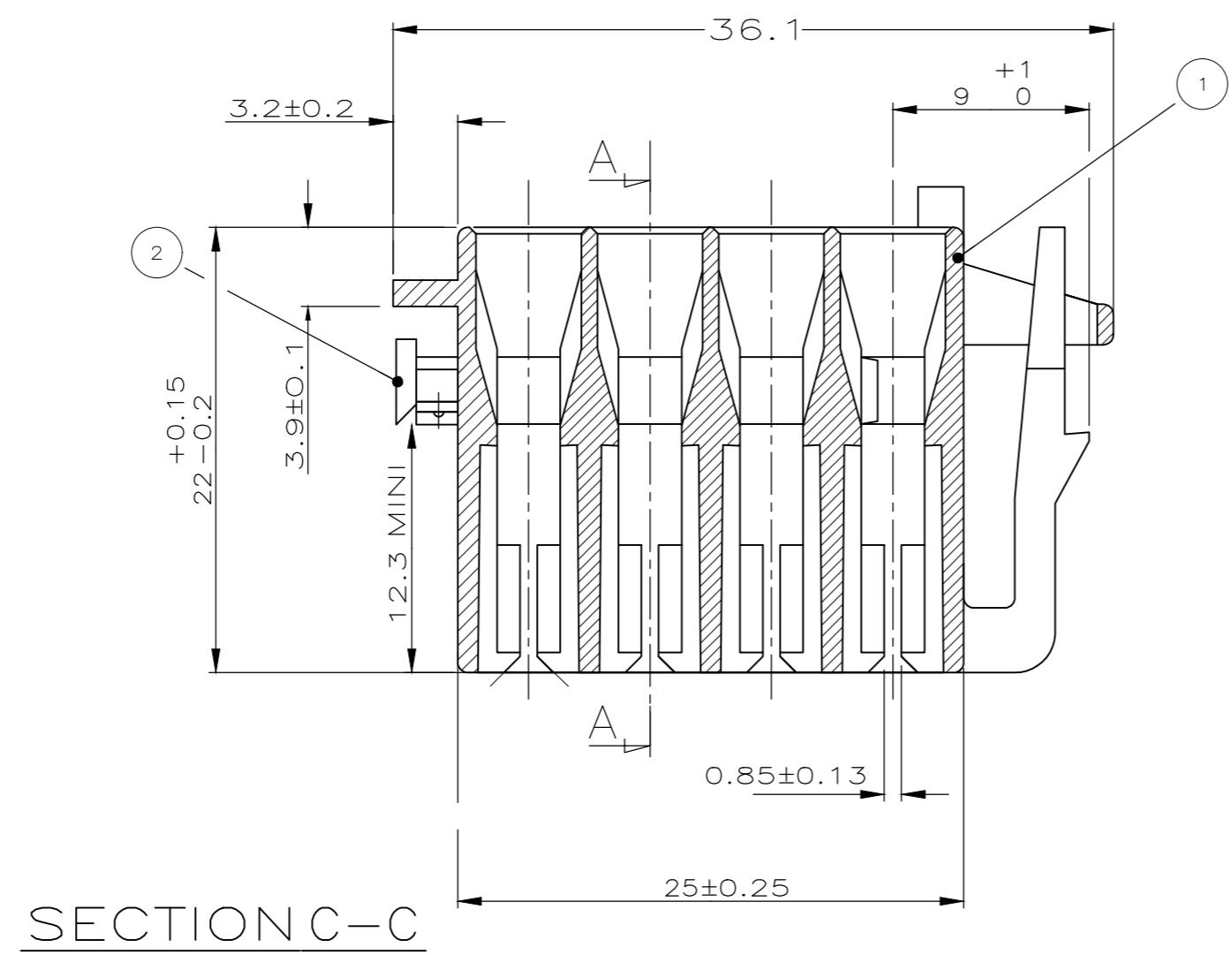
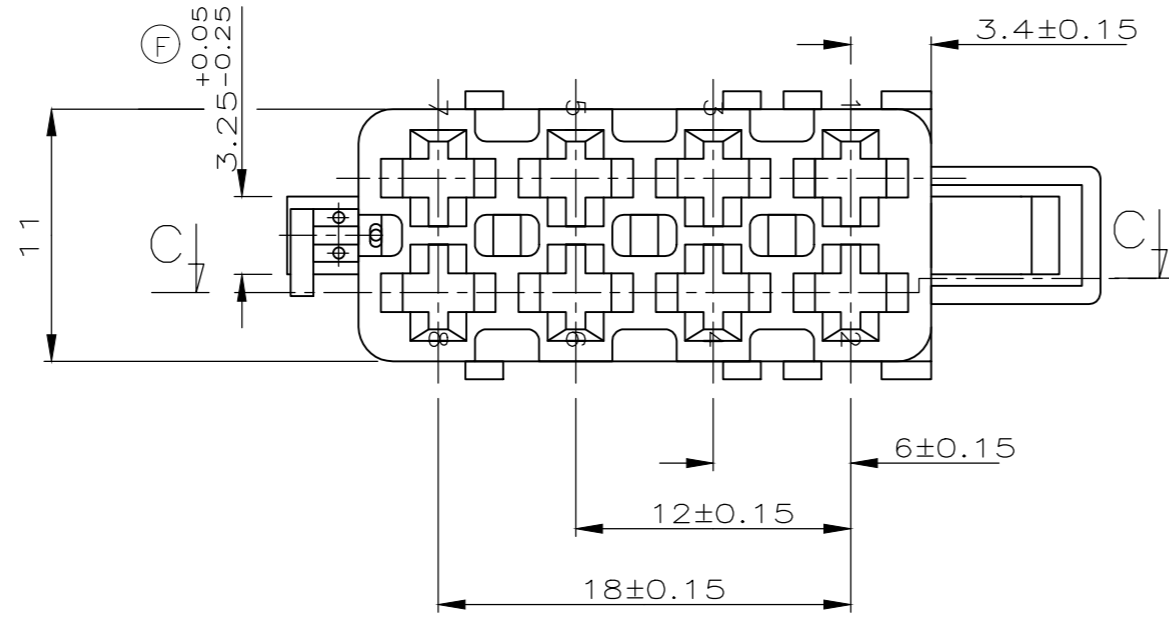
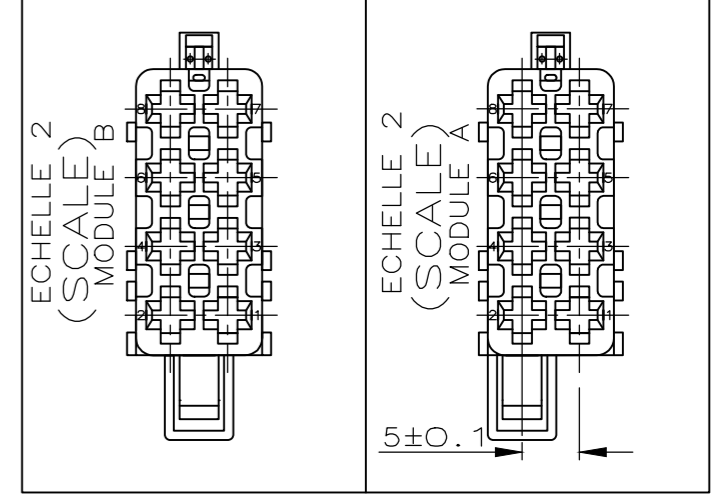


| LOC |         | DIST                        |           | REVISIONS |           |  |  |
|-----|---------|-----------------------------|-----------|-----------|-----------|--|--|
| P   | LTR REV | DESCRIPTION MODIFICATIONS   | DATE      | DWN DESS. | APVD APP. |  |  |
|     | A       | AJOUT 1-144172-X            | 14-OCT-97 | RB        | -         |  |  |
|     | B       | TRADUCTION ANGLAISE AJOUTEE | 04-FEB-98 | RP        | -         |  |  |
|     | C       | VOIR FEUILLE 2              | 14-MAR-00 | RP        | JPP       |  |  |
|     | E       | REVISED PER ECR-05-008448   | 04-AUG-05 | RP        | JPP       |  |  |
|     | F       | COTE 3.4 DEVIENT 3.25       | 03APR2018 | CS        | XR        |  |  |



|      |            |            |
|------|------------|------------|
| CODE | 0-144172-2 | 0-144172-1 |
|      | 0-144172-4 | 0-144172-3 |
|      | 0-144172-6 | 0-144172-5 |
|      | 0-144172-8 | 0-144172-7 |



|            |                   |
|------------|-------------------|
| 0-144172-X | FEUILLE 1 (SHEET) |
| 1-144172-X | FEUILLE 2 (SHEET) |

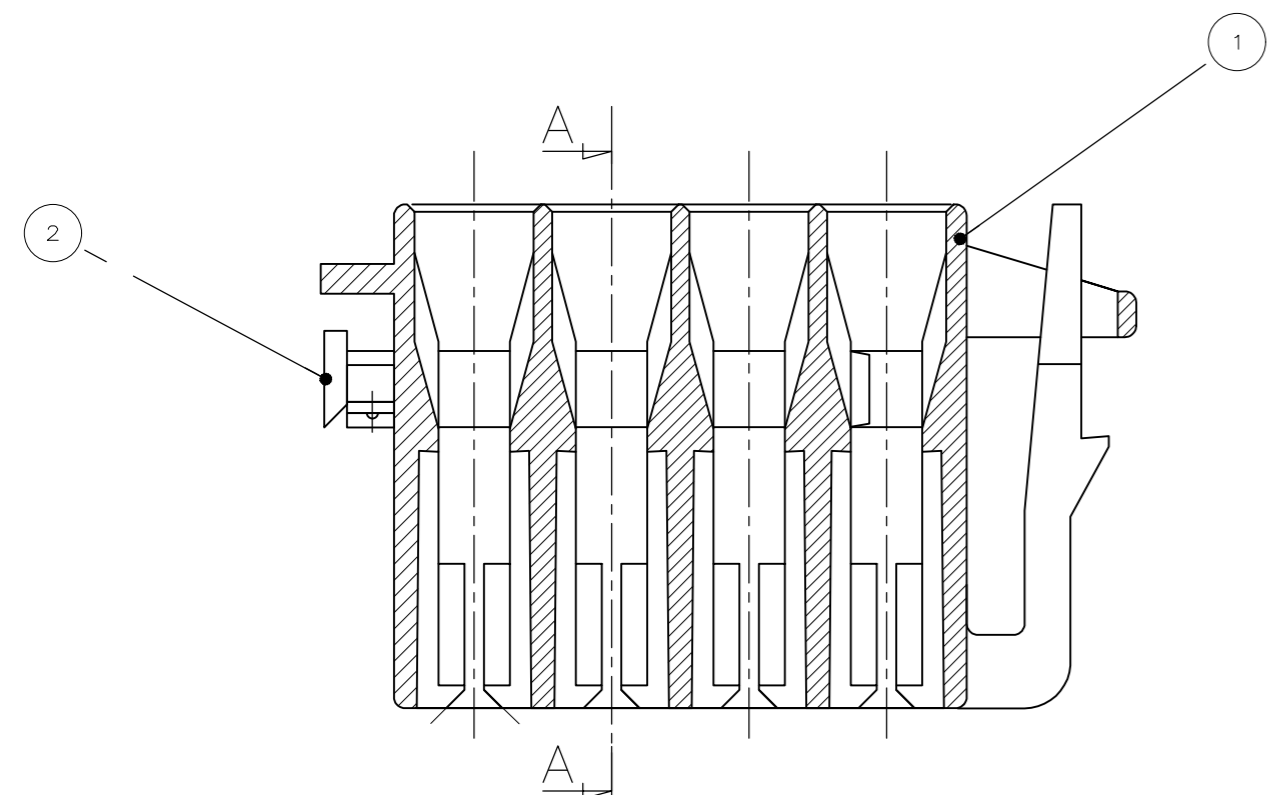
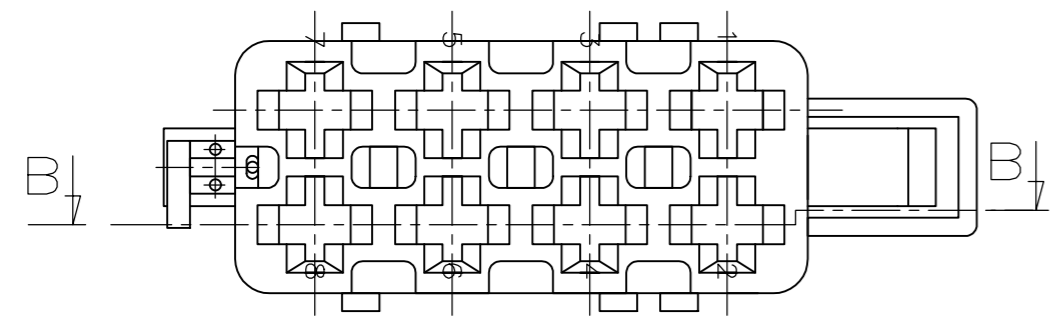
0-144172-X COMME DESSINE  
 (AS DRAWN)

POUR STANDARD ISO  
 FOR ISO STANDARD

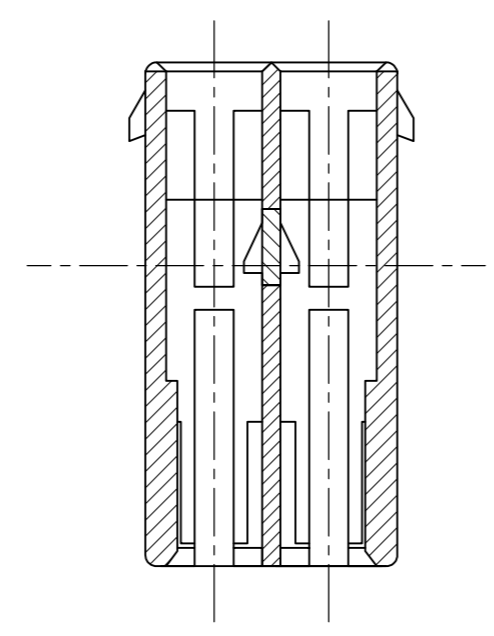
SPECIFICATION PARTICULIERE AMP 108-15063  
 UTILISABLE AVEC COUVERCLE: 144170  
 (PARTICULAR AMP SPECIFICATION 108-15063)  
 (USABLE WITH COVER: 144170)

|   |  |   |  |
|---|--|---|--|
| THIS DRAWING IS A CONTROLLED DOCUMENT.<br>CE PLAN EST UN DOCUMENT CONTROLE.   |  | DWN/DESSINE 24OCT1996<br>Olivier PAMART     | <b>STE</b> TE Connectivity                             |
| DIMENSIONS: mm  |  | CHK/VERIFIE 18FEB1998<br>JP.PICAUD          |  |
| TOLERANCES UNLESS OTHERWISE SPECIFIED:<br>TOLERANCES NON SPECIFIEES (SUIV NB DE DECIMALES):<br>0-PLC/DEC ±<br>1-PLC/DEC ±0.2<br>2-PLC/DEC ±<br>3-PLC/DEC ±<br>4-PLC/DEC ±<br>ANGLES ±5° |  | APVD/APPROUVE 18FEB1998<br>JJ.REV11         | NAME TITRE   |
| MATERIAL MATIERE PA 6-6 / GF  |  | PRODUCT SPEC 108-15063                      | MODULE 8 VOIES AUTO-RADIO<br>(MODULE 8 POS. RADIO CAP) |
| FINISH FINITION -   |  | APPLICATION SPEC -                          | RESTRICTED TO  |
|   |  | WEIGHT MASSE APPROX. 0.0036Kg               | CAGE CODE 00779  |
|   |  | CUSTOMER DRAWING/PLAN CLIENT POUR REFERENCE | DRAWING NO TITRE C-144172                              |
|   |  | UNIQUEMENT ECHELLE 3:1                      | SHEET FEUILLE 1 OF DE 2 REV F                          |

| LOC | DIST | REVISIONS     |           |       |      |
|-----|------|---------------|-----------|-------|------|
| P   | LTR  | DESCRIPTION   | DATE      | DWN   | APVD |
| REV | REV  | MODIFICATIONS |           | DESS. | APP. |
| F   | 7    | SEE SHEET 1   | 03APR2018 | CS    | XR   |



SECTION BB



SECTION AA

| CODE | 1-144172-2 | 1-144172-1 |
|------|------------|------------|
|      | 1-144172-4 | 1-144172-3 |
|      | 1-144172-6 | 1-144172-5 |
|      | 1-144172-8 | 1-144172-7 |

|                            |  |
|----------------------------|--|
| ECHELLE 2 (SCALE) MODULE B |  |
| ECHELLE 2 (SCALE) MODULE A |  |

\*UNIQUEMENT POUR PRODUCTION AMP BRESIL  
 (AMP BRAZIL PRODUCTION ONLY)[PA6.6 15%GF]

| QTE COMPOSANT (QTY COMPONENT) |          |          |        |        |        |        |        |        |        |        |        | COLOR | P/N | DESIGNATION | REP.                   |               |   |
|-------------------------------|----------|----------|--------|--------|--------|--------|--------|--------|--------|--------|--------|-------|-----|-------------|------------------------|---------------|---|
| 1                             | 1        | 1        | 1      |        | 1      | 1      | 1      | 1      |        | 1      | 1      | 1     | 1   | YELLOW      | 144171-3               | 2nd LOCK*     | 2 |
| 1                             |          |          |        | 1      |        |        |        |        | 1      |        |        |       |     | YELLOW      | 144171-1               | 2nd LOCK      | 2 |
|                               | 1        |          |        |        | 1      |        |        |        |        | 1      |        |       |     | NATURAL     | 1-144169-4<br>144169-4 | MODULE 8 POS. | 1 |
|                               |          | 1        |        |        |        | 1      |        |        |        |        | 1      |       |     | NATURAL     | 1-144169-3<br>144169-3 | MODULE 8 POS. | 1 |
|                               |          |          | 1      |        |        |        | 1      |        |        |        |        | 1     |     | BLACK       | 1-144169-2<br>144169-2 | MODULE 8 POS. | 1 |
|                               |          |          |        | 1      |        |        |        | 1      |        |        |        |       | 1   | BLACK       | 1-144169-1<br>144169-1 | MODULE 8 POS. | 1 |
|                               |          |          |        |        |        |        |        |        |        |        |        |       |     |             |                        |               |   |
| P/N: X-144172-X               |          |          |        |        |        |        |        |        |        |        |        |       |     |             |                        |               |   |
| 1-X-4                         | 1-X-3    | 1-X-2    | 1-X-1  | 0-X-8  | 0-X-7  | 0-X-6  | 0-X-5  | 0-X-4  | 0-X-3  | 0-X-2  | 0-X-1  |       |     |             |                        |               |   |
| ACTIVE                        | INACTIVE | INACTIVE | ACTIVE | ACTIVE | ACTIVE | ACTIVE | ACTIVE | ACTIVE | ACTIVE | ACTIVE | ACTIVE |       |     |             |                        |               |   |

1-144172-X COMME DESSINE  
 (AS DRAWN)

|   |  |  |  |  |  |                                       |  |  |  |                              |  |
|---|--|--|--|--|--|---------------------------------------|--|--|--|------------------------------|--|
| THIS DRAWING IS A CONTROLLED DOCUMENT.<br>CE PLAN EST UN DOCUMENT CONTROLE. |  | DWN/DESSINE<br>Olivier PAMART 24OCT1996  |  | CHK/VERIFIE<br>JP.PICAUD 18FEB1998     |  | APVD/APPROUVE<br>JJ.REV11 18FEB1998   |  | NAME<br>TITRE  |  | RESTRICTED TO                |  |
| DIMENSIONS:<br>mm   |  | TOLERANCES UNLESS OTHERWISE SPECIFIED:<br>TOLERANCES NON SPECIFIEES (SUIV NB DE DECIMALES):<br>0=PLC/DEC±<br>1=PLC/DEC±0.2<br>2=PLC/DEC±<br>3=PLC/DEC±<br>4=PLC/DEC± |  | PRODUCT SPEC<br>SPEC. PRODUIT          |  | APPLICATION SPEC<br>SPEC. APPLICATION |  | SIZE<br>FORMAT   |  | CAGE CODE                    |  |
|   |  | FINISH<br>FINITION -   |  | WEIGHT<br>MASSE APPROX. VOIR FEUILLE 1 |  | DRAWING NO<br>TITRE                   |  | 00779  |  | -                            |  |
| SEE SHEET 1   |  | ANGLES<br>±5°  |  | CUSTOMER DRAWING/PLAN CLIENT           |  | UNIQUEMENT<br>POUR REFERENCE          |  | SCALE<br>ECHELLE 3:1                                   |  | SHEET<br>FEUILLE 2 OF 2 DE 2 |  |
|   |  |  |  | TE Connectivity                        |  |                                       |  | MODULE 8 VOIES AUTO-RADIO<br>(MODULE 8 POS. RADIO CAP) |  |                              |  |
|   |  |  |  | VOIR FEUILLE 1                         |  |                                       |  | DRAWING NO<br>TITRE<br>C-144172                        |  |                              |  |
|   |  |  |  | REV F                                  |  |                                       |  |  |  |                              |  |

单击下面可查看定价，库存，交付和生命周期等信息

[>>TE Connectivity\(泰科\)](#)