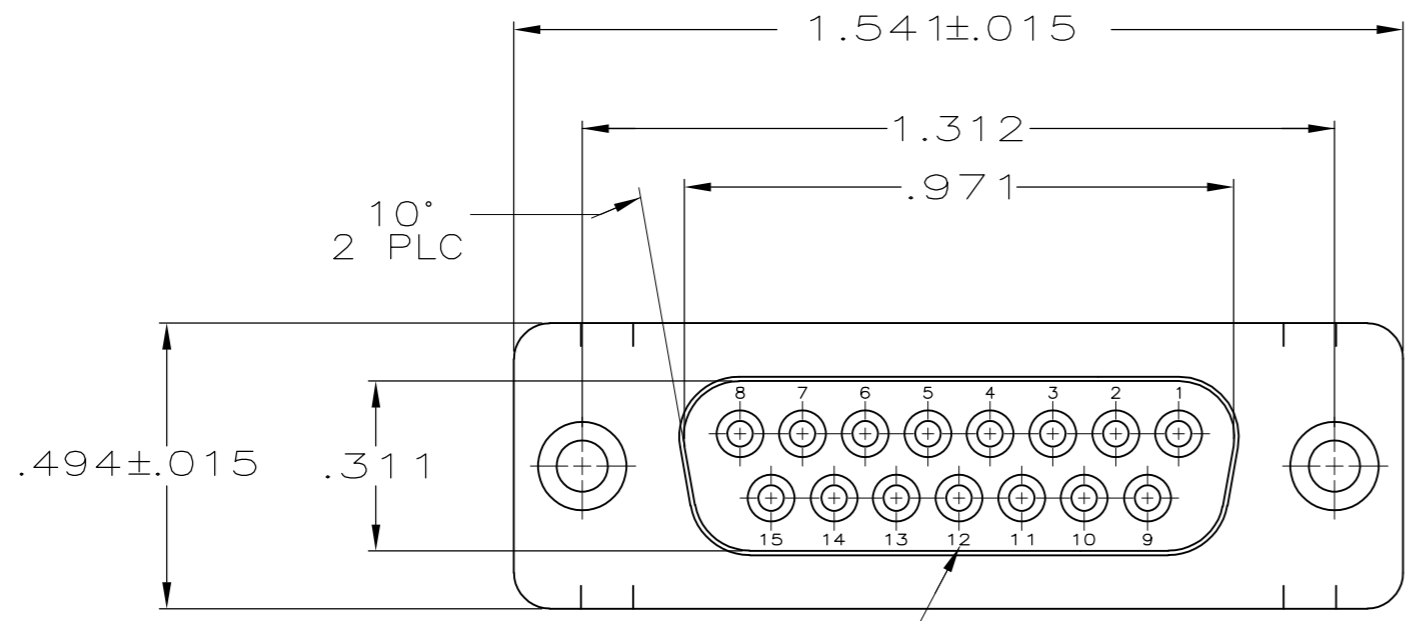


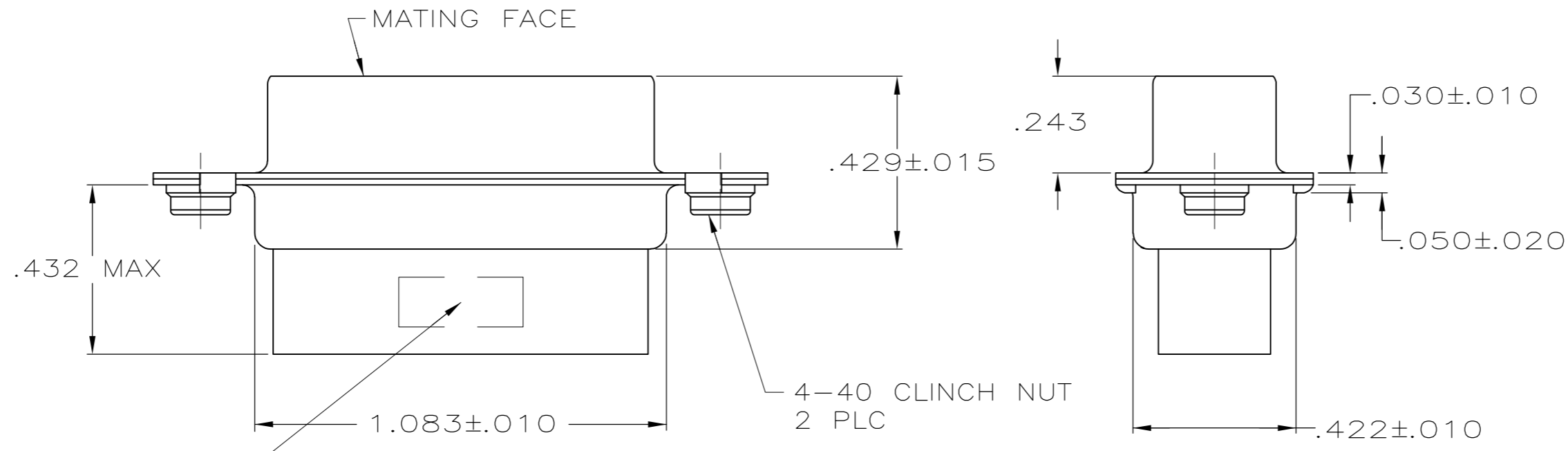
THIS DRAWING IS UNPUBLISHED. RELEASED FOR PUBLICATION
 © COPYRIGHT BY TYCO ELECTRONICS CORPORATION. ALL RIGHTS RESERVED.

| LOC | | DIST | | REVISIONS | | | |
|-----|-----|---------------------------|---------|-----------|------|--|--|
| P | LTR | DESCRIPTION | DATE | DWN | APVD | | |
| GP | 00 | | | | | | |
| | 01 | REVISED PER ECO-07-007540 | 21JUN07 | JDP | CWR | | |



RAISED CAVITY IDENTIFICATION

- 1 .CONNECTOR ACCEPTS SIZE 20 DF SOCKET CONTACTS, RETENTION TINES ARE AN INTEGRAL PART OF INSERT.
- 2 MOLDED PARTS:
FLAME RETARDANT 94V-0 RATED THERMOPLASTIC; BLACK.
- 3 SHELLS: STEEL PER ASTM A109.
- 4 .000200 MIN TIN PLATE OVER
.000100 MIN COPPER UNDERPLATE.



MANUFACTURER'S LOGO, PART NO.& DATE CODE, INK STAMPED IN AREA INDICATED, ON FAR SIDE

1658644-1
PART NO.

| | | | | |
|--|-------------|-------------------------------|---|--------------------|
| THIS DRAWING IS A CONTROLLED DOCUMENT. | | DWN J.REITZEL 30JUL03 | Tyco Electronics Corporation Harrisburg, PA 17105-3608 | |
| DIMENSIONS: INCHES | | CHK S.BOLASH 30JUL03 | NAME RECEPTACLE CONNECTOR, SIZE 2, 15 POSN, WITH CLINCH NUTS, AMPLIMITE HDP | |
| TOLERANCES UNLESS OTHERWISE SPECIFIED: | | APVD M.WALMSLEY 30JUL03 | PRODUCT SPEC 108-40005 | RESTRICTED TO |
| 0 PLC ± - | | APPLICATION SPEC 114-40030 | SIZE A2 | CAGE CODE 00779 |
| 1 PLC ± - | | WEIGHT - | DRAWING NO C=1658644 | REV 01 |
| 2 PLC ± - | | CUSTOMER DRAWING | | |
| 3 PLC ± .005 | | SCALE 4:1 | SHEET 1 of 1 | |
| 4 PLC ± - | | | | |
| ANGLES ± 2° | | | | |
| MATERIAL 2 3 | FINISH 4 | | | |

单击下面可查看定价，库存，交付和生命周期等信息

[>>TE Connectivity\(泰科\)](#)

[>>点击查看相关商品](#)