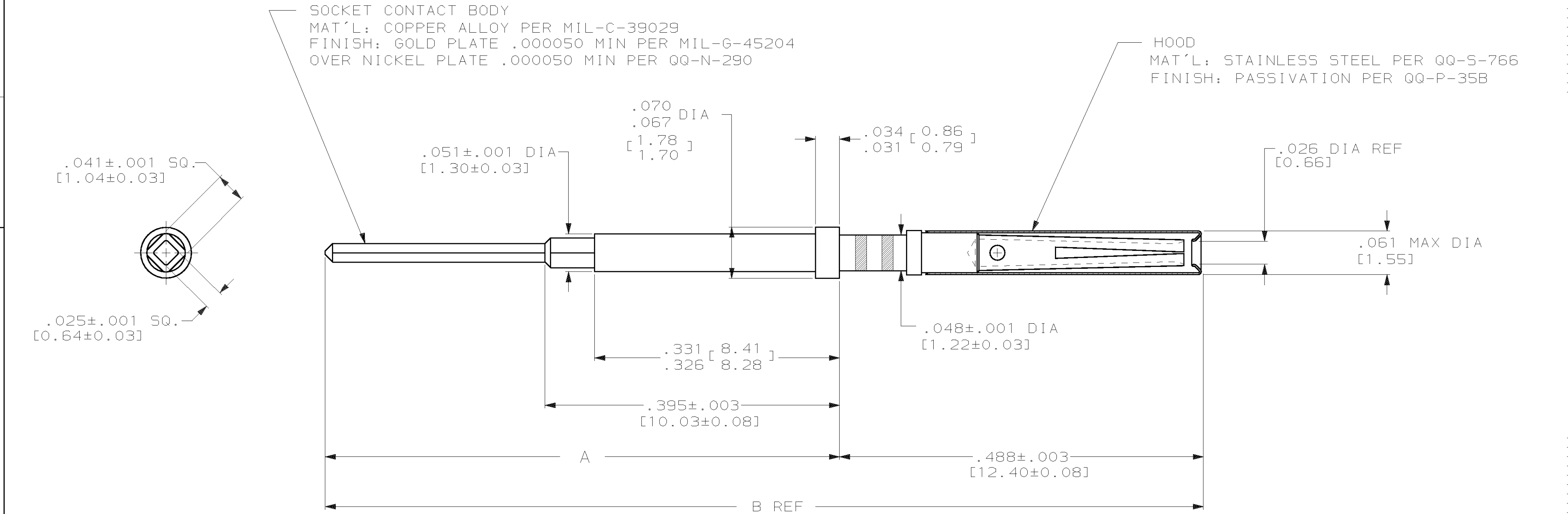


THIS DRAWING IS UNPUBLISHED. RELEASED FOR PUBLICATION
 © COPYRIGHT 19 BY AMP INCORPORATED. ALL INTERNATIONAL RIGHTS RESERVED.

| LOC | DIST | P | F | ZONE | LTR | DESCRIPTION | DATE | APPD | |
|-----|------|---|---|------|-----|----------------------|------|-------|----|
| DF | AO | | | | C | REV PER 063D-0289-00 | CT | 10-00 | 5G |



| | | | |
|---------------------------------|---------------|---------------|------------|
| .522 [13.26] | 1.441 [36.60] | .953 [24.21] | 1-211245-2 |
| .392 [9.96] | 1.311 [33.30] | .823 [20.90] | 1-211245-0 |
| .636 [16.15] | 1.555 [39.50] | 1.067 [27.10] | 211245-8 |
| .500 [12.70] | 1.419 [36.04] | .931 [23.65] | 211245-6 |
| .375 [9.53] | 1.289 [32.74] | .801 [20.35] | 211245-4 |
| .250 [6.35] | 1.169 [29.69] | .681 [17.30] | 211245-2 |
| MINIMUM EXTENSION BEYOND INSERT | B DIM REF | A DIM | PART NO |

| | | | |
|---|----------------------------|---|----------------------|
| DO NOT SCALE PRINT. UNLESS SPECIFIED DIMENSIONS IN INCHES [mm] TOLERANCES ON: 2 PLC DEC ± - 3 PLC DEC ± .005 [0.13] ANGLES ± - | DR 5-9-91 C.C.THOMAS | AMP Incorporated Harrisburg, PA 17105-3608 | |
| | CHK 6-19-91 A.SHARPE | | |
| MATERIAL SEE CALLOUTS | APPD 6-19-91 A.SHARPE | PRODUCT SPEC - | SIZE C 00779 |
| FINISH SEE CALLOUTS | APPD 6-19-91 C.C.THOMAS | APPLICATION SPEC - | DRAWING NO 211245 |
| | WEIGHT - | SCALE 10:1 | SHEET 1 OF 1 |

单击下面可查看定价，库存，交付和生命周期等信息

[>>TE Connectivity\(泰科\)](#)