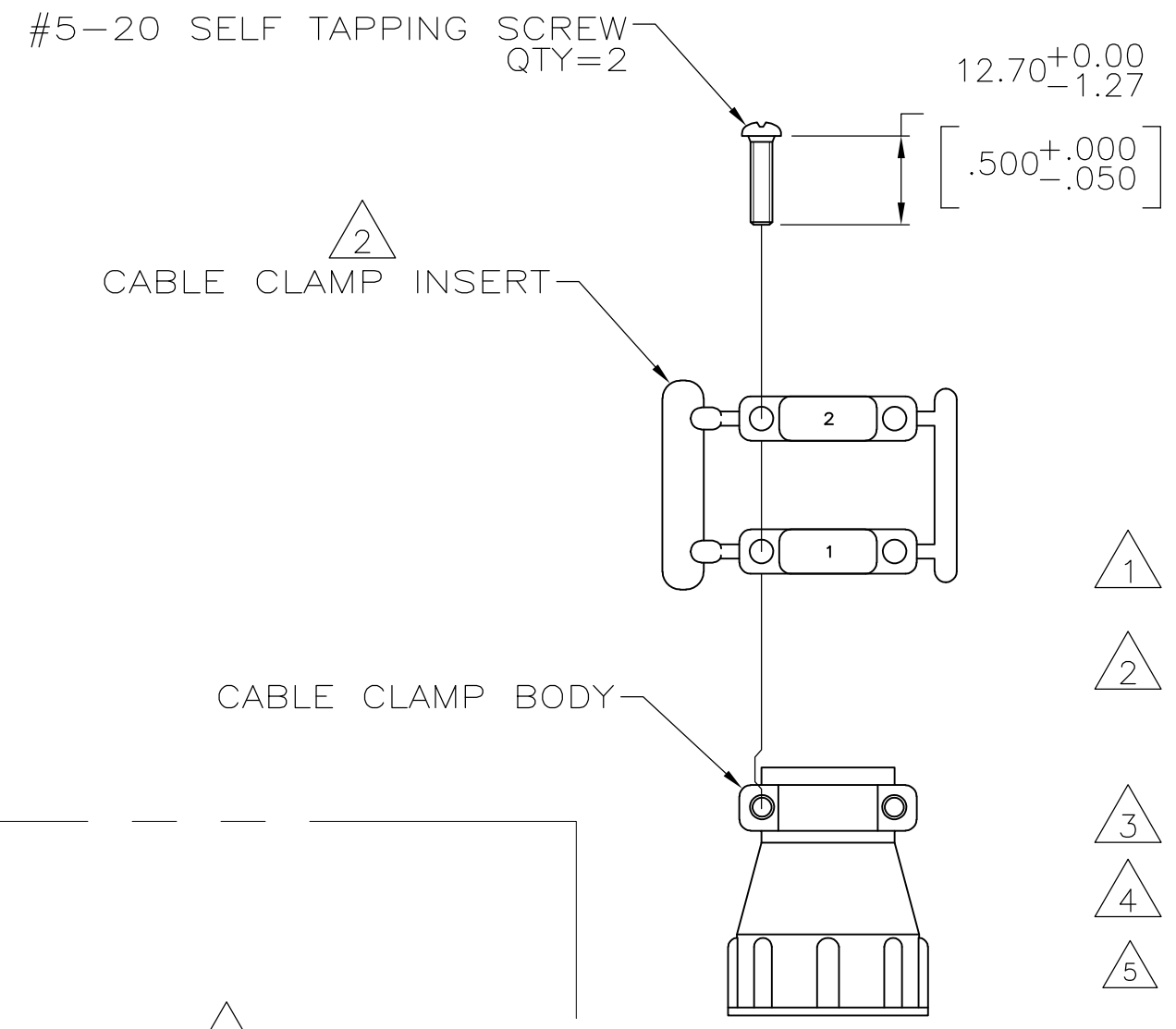
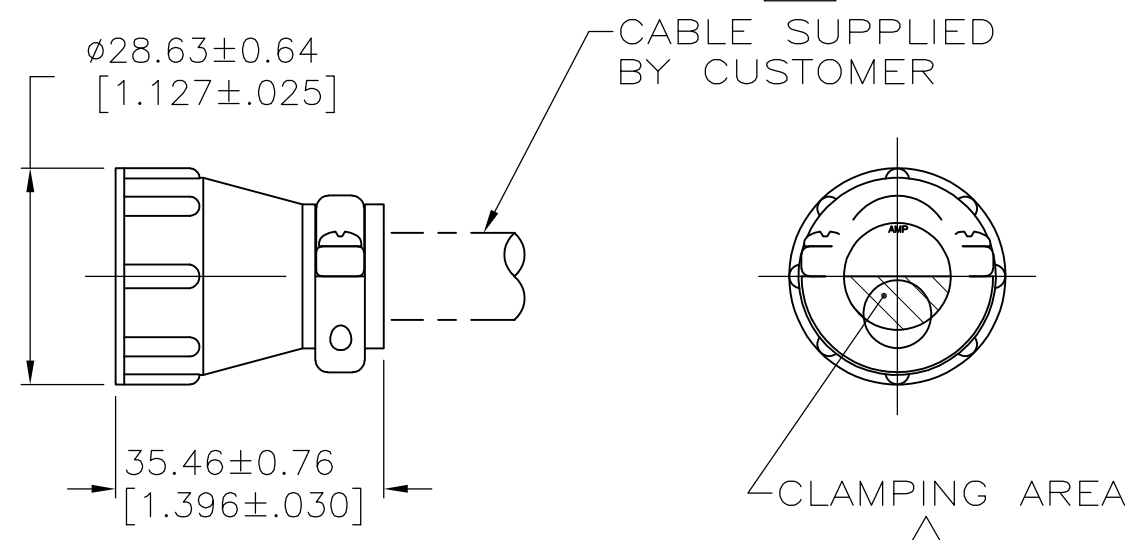


THIS DRAWING IS UNPUBLISHED. RELEASED FOR PUBLICATION
 © COPYRIGHT - By - ALL RIGHTS RESERVED.

LOC	DIST	REVISIONS					
FT	0	P	LTR	DESCRIPTION	DATE	DWN	APVD
			A2	REVISED PER ECO-11-004917	11MAR11	RK	HMR



- △1 CABLE CLAMP BODY AND INSERTS: NYLON, BLACK. SCREWS: CARBON STEEL.
- △2 CABLE CLAMPING AREA ADJUSTABLE FROM 0.25 [.010] TO 4.09 [.161] SQ AREA BY REVERSING OR CHANGING CLAMPING INSERTS.
- △3 11.51 [.453] MAXIMUM CABLE OUTSIDE DIAMETER.
- △4 SCREWS: ZINC PLATE, NON-HEXAVALENT COATING.
- △5 OBSOLETE PARTS: OBSOLETE CIS STREAMLINING PER D.RENAUD/D.SINISI



ASSEMBLED VIEW

△4	BULK	213904-4
△4	INDIVIDUAL	213904-3
△4	BULK	213904-2
△4	INDIVIDUAL	213904-1
SCREW FINISH	PACKAGING	PART NUMBER

THIS DRAWING IS A CONTROLLED DOCUMENT.		DWN	D.HARDY	07/12/95	STE TE Connectivity		
DIMENSIONS: mm [INCHES]		CHK	R.STONE	07/13/95			
TOLERANCES UNLESS OTHERWISE SPECIFIED:		APVD	A.FRANTUM	07/14/95	NAME		
0 PLC ± -		PRODUCT SPEC		CABLE CLAMP KIT, STANDARD, UNASSEMBLED, SIZE 17, CPC			
1 PLC ± -		108-1579		SIZE	CAGE CODE	DRAWING NO	RESTRICTED TO
2 PLC ± -		APPLICATION SPEC		A3	00779	C-213904	-
3 PLC ± -		MATERIAL		WEIGHT	SCALE 1:1 SHEET 1 OF 1 REV A2		
4 PLC ± -		FINISH		CUSTOMER DRAWING			
ANGLES ± -		△1					

单击下面可查看定价，库存，交付和生命周期等信息

[>>TE Connectivity\(泰科\)](#)