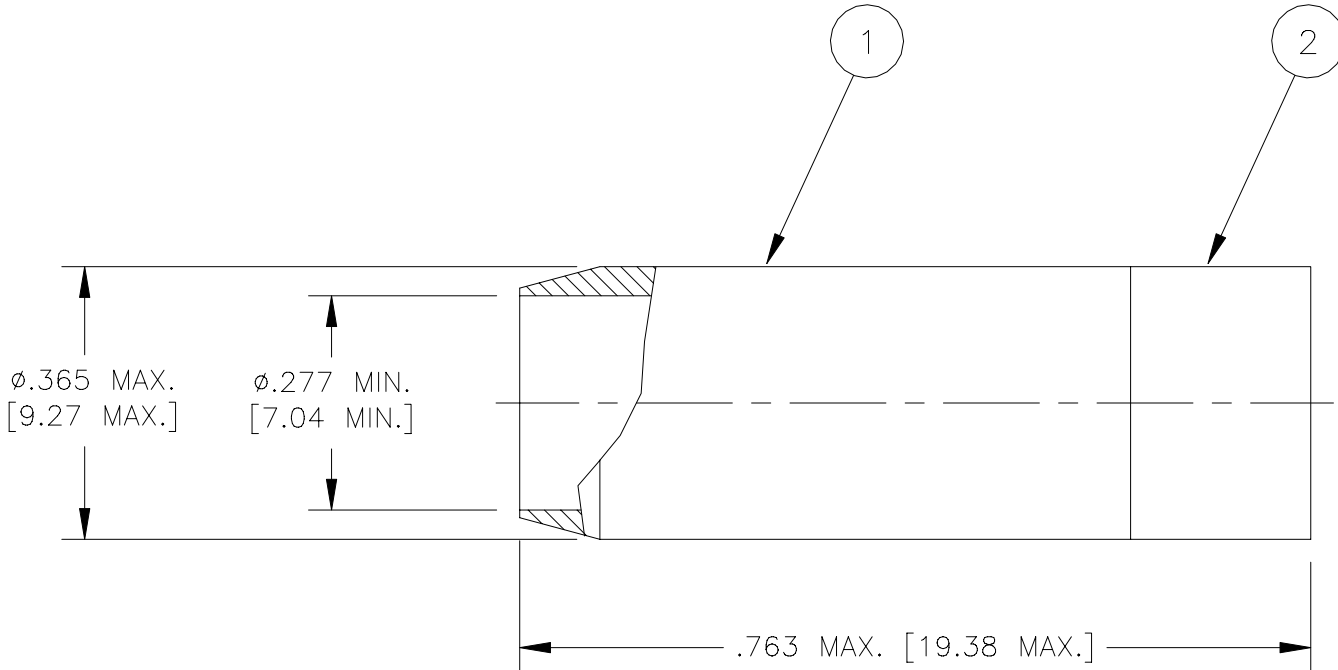


THIS DRAWING AND THE INFORMATION SET FORTH HERE-
ON ARE THE PROPERTY OF TYCO ELECTRONICS,
AND ARE TO BE HELD IN TRUST AND CONFIDENCE. PUB-
LICATION, DUPLICATION, DISCLOSURE, OR USE FOR ANY
PURPOSE NOT EXPRESSLY AUTHORIZED IN WRITING BY
TYCO ELECTRONICS IS PROHIBITED.

REVISIONS			
LTR	DESCRIPTION	DATE	APPROVED
B	FRANCE/DCR# T-22741 3/30/99 M.HIGGY	27/SEP/92	HISTORY FILE
C	TRANSLATE AND REDRAW ON CAD PER DCR# T-31799	May/23/03	M.HIGGY

SHORT SEALING GROMMET



NOTES:

- MATERIAL: ITEM 1, BODY: 30% GLASS FIELD POLYARLENE.
ITEM 2, SEAL: FLUOROSILICONE.
- CABLE ACCOMMODATION: $\phi.125/\phi.185$ INCHES (3.20mm/4.70mm)
- THIS GROMMET IS DESIGNED FOR USE WITH A RAYCHEM SIZE 8 TRI-AXIAL SOLDERCONTACT CONTACT. SIMILAR TO DK-602-0156-X, DK-602-0156-N-X, DK-602-0157-X AND DK-602-0159-N-X.
- PROPER FIT OF GROMMET IS DEPENDENT UPON A SPECIFIC CONNECTOR PRODUCT. CONSULT RAYCHEM FOR APPLICATION AND USE OF THIS GROMMET.

SPECIFICATION CONTROL DRAWING

If this document is printed it becomes uncontrolled.
Check for the latest revision.

UNLESS OTHERWISE SPECIFIED DIMENSIONS ARE IN INCHES. METRIC DIMENSIONS ARE IN BRACKETS. DECIMALS .XXX \pm .010 [— mm] .XX \pm .03 [— mm] ANGLES .X \pm 1° WEIGHT — lbs [— g]	DRAWN ZS.O. May/23/03		TYCO ELECTRONICS 300 Constitution Drive Menlo Park, CA. 94025 USA		
	CHECKED				
	APPROVED M.HIGGY May/23/03	CAD NAME: T31799.DWG	TITLE SHORT SEALING GROMMET FOR MIL-C-38999 CONNECTOR SIZE 8 CAVITY		
	THIRD ANGLE PROJECTION 	RPN. NO.	SIZE A	CODE IDENT. NO. 06090	DWG. NO. D-600-0125
DO NOT SCALE THIS DRAWING		SCALE: NONE		SHEET 1 OF 1	

单击下面可查看定价，库存，交付和生命周期等信息

[>>TE Connectivity\(泰科\)](#)