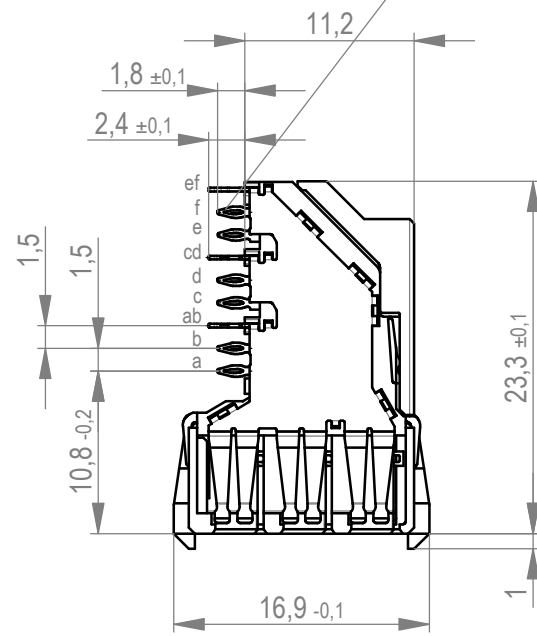
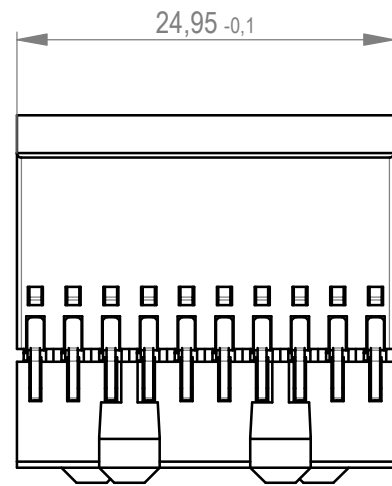
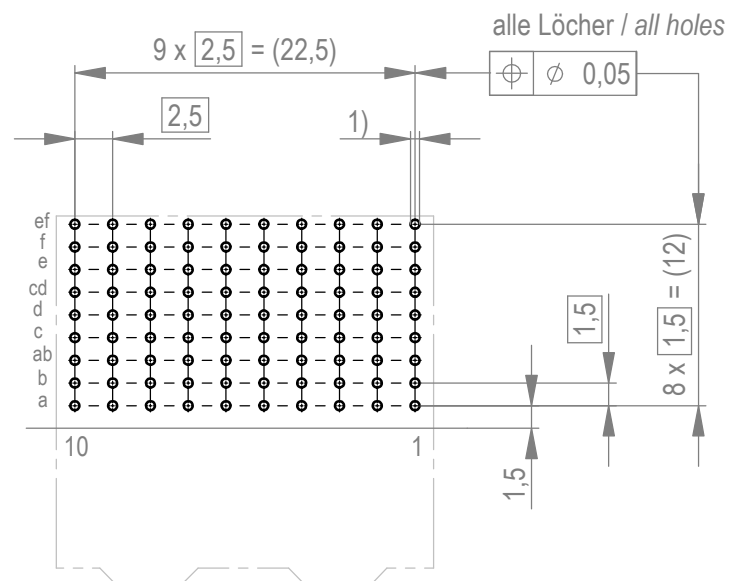


EN-Zone für durchkontaktierte
Löcher $\varnothing 0,6 \pm 0,05$
compliant zone for through hole
 $\varnothing 0,6 \pm 0,05$



Lochbild für Leiterplatte
(Bestückungsseite)

Board hole pattern
(Component mounting side)



- 1) $\varnothing 0,6 \pm 0,05$ Durchmesser des metallisierten Loches
 $\varnothing 0,6 \pm 0,05$ Diameter of finished plated-through hole

Schichtaufbau im metallisierten Loch siehe Zeichnung 164062 / Nr. 1
Metal plating of plated-through hole see drawing 164062 / No. 1

Anforderungsstufe 2
class 2

Stege am Frontrahmen entfernt

Bar in frontface removed

| | | | | |
|---|---|----------------------|---|----------|
| Dimension no. - not assigned dimension no.: | Tolerances ISO 8015 | All Dimensions in mm | Scale 2:1 | Material |
| Customer drawing: All rights reserved. Only for Information. To ensure that this is the latest version of this drawing, please contact one of the ERNI companies before using. | Subject to modification without prior notice. Drawing will not be updated. | | ERmet ZD Female Connector 3-10 973028 | |
| f Index | 05.11.2020 Date | | ERNI International AG Zürichstrasse 72 8306 Brüttsellen - Zürich Switzerland | I A3 |
| | | | Class | ERMZD |

单击下面可查看定价，库存，交付和生命周期等信息

[>>TE Connectivity\(泰科\)](#)