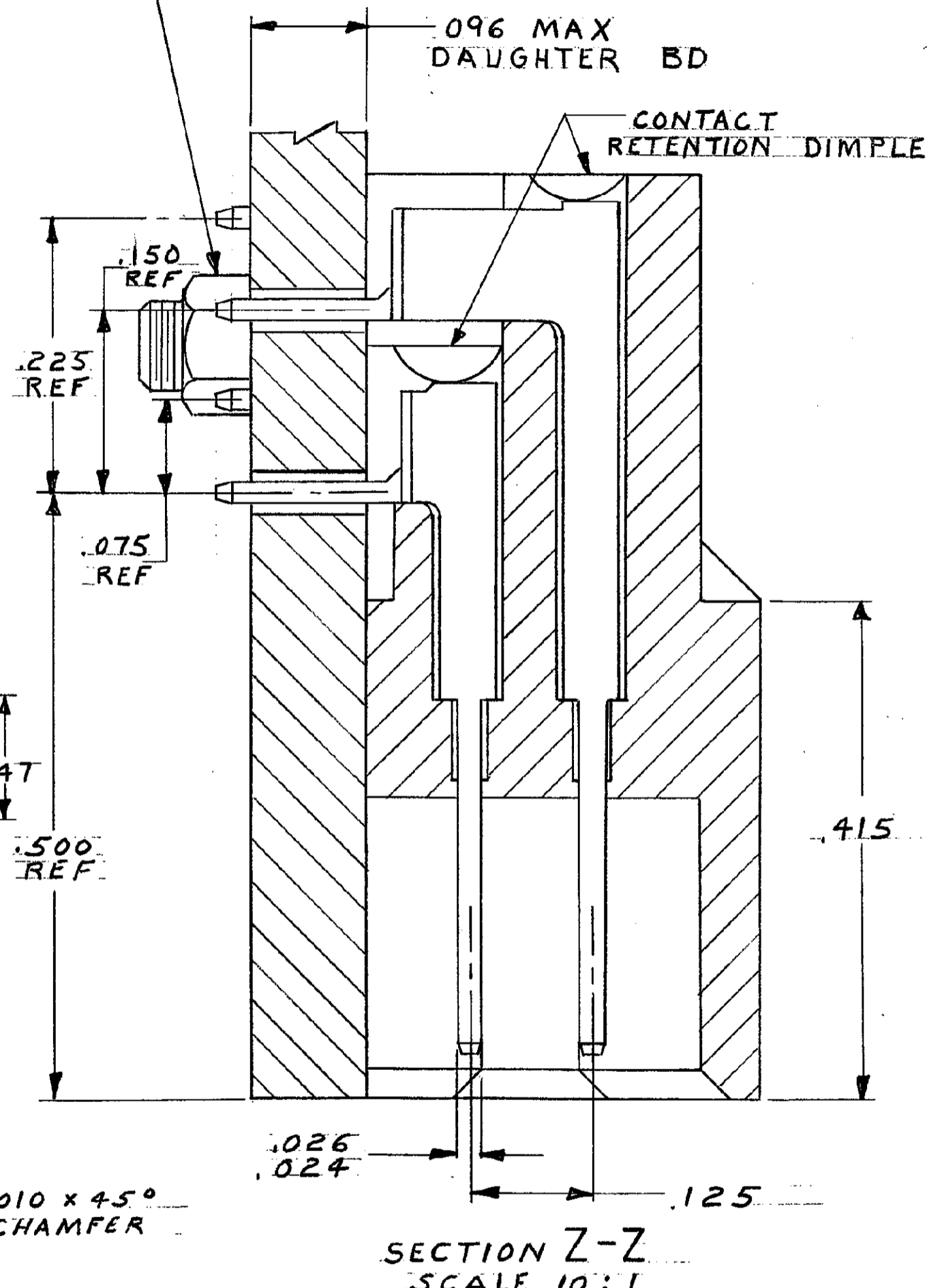
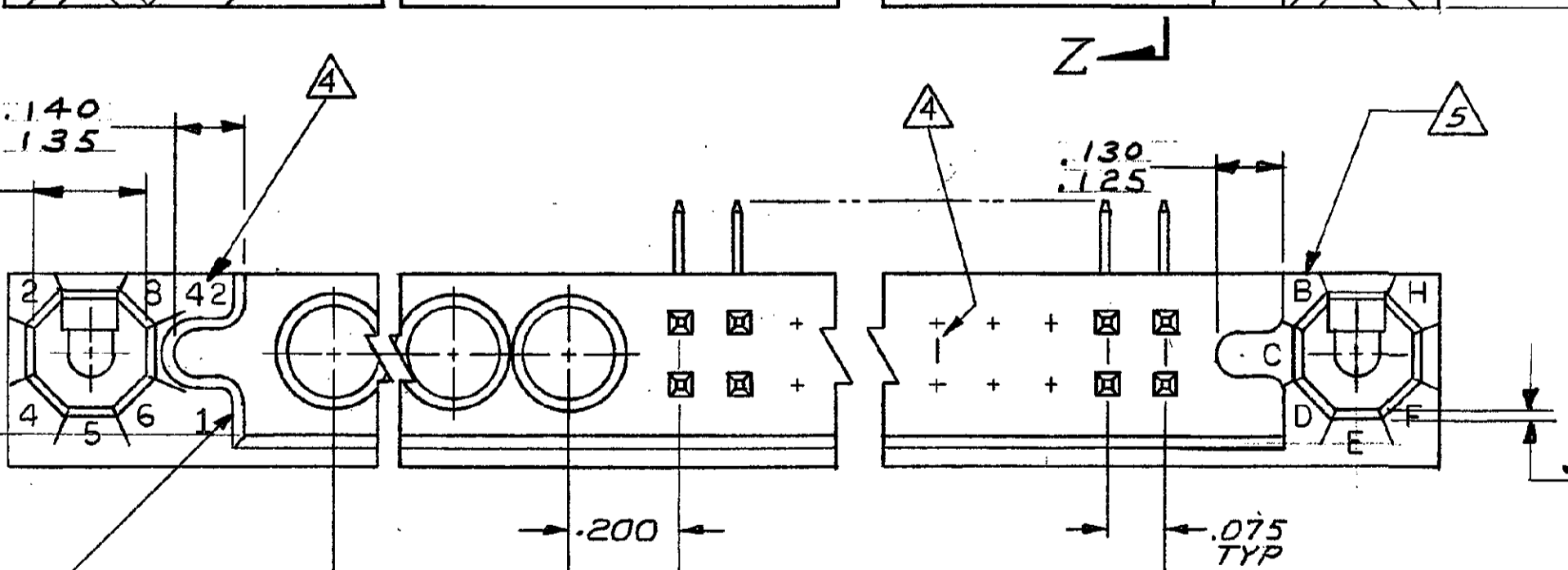
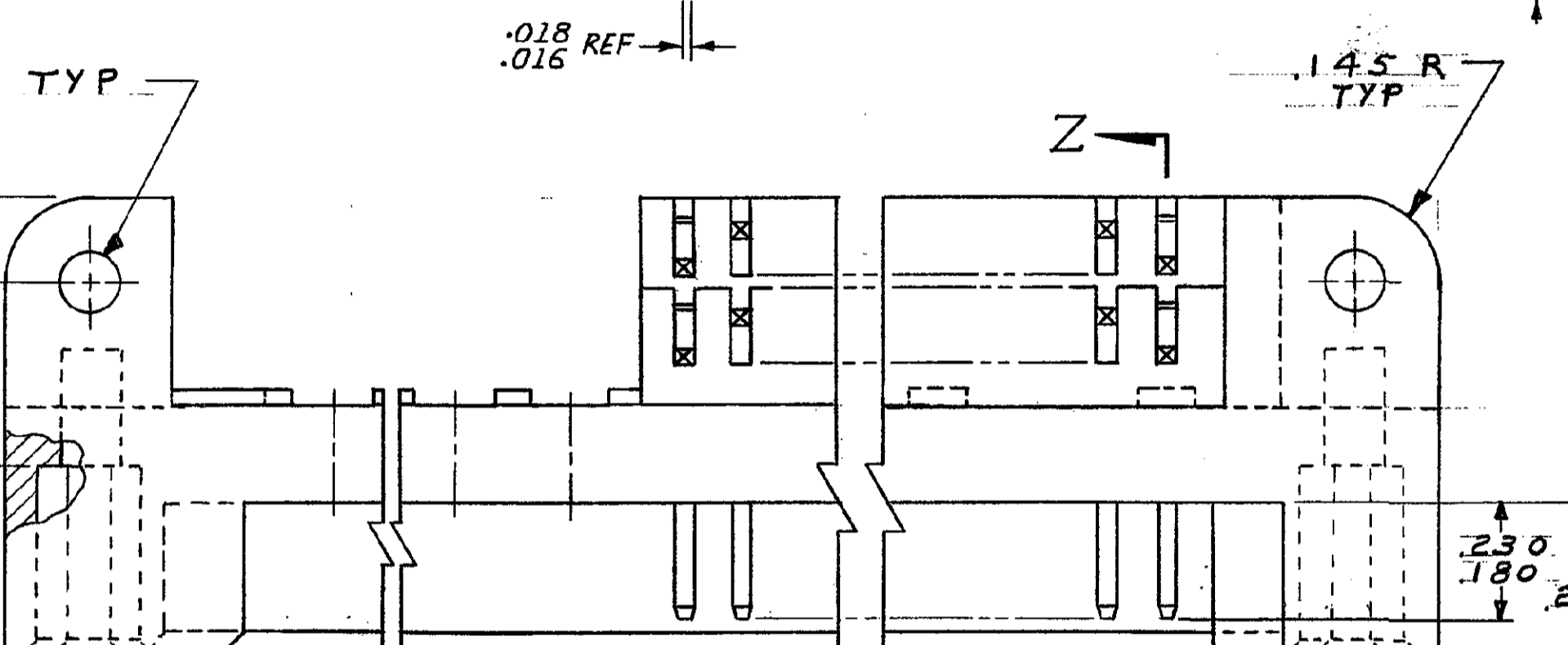
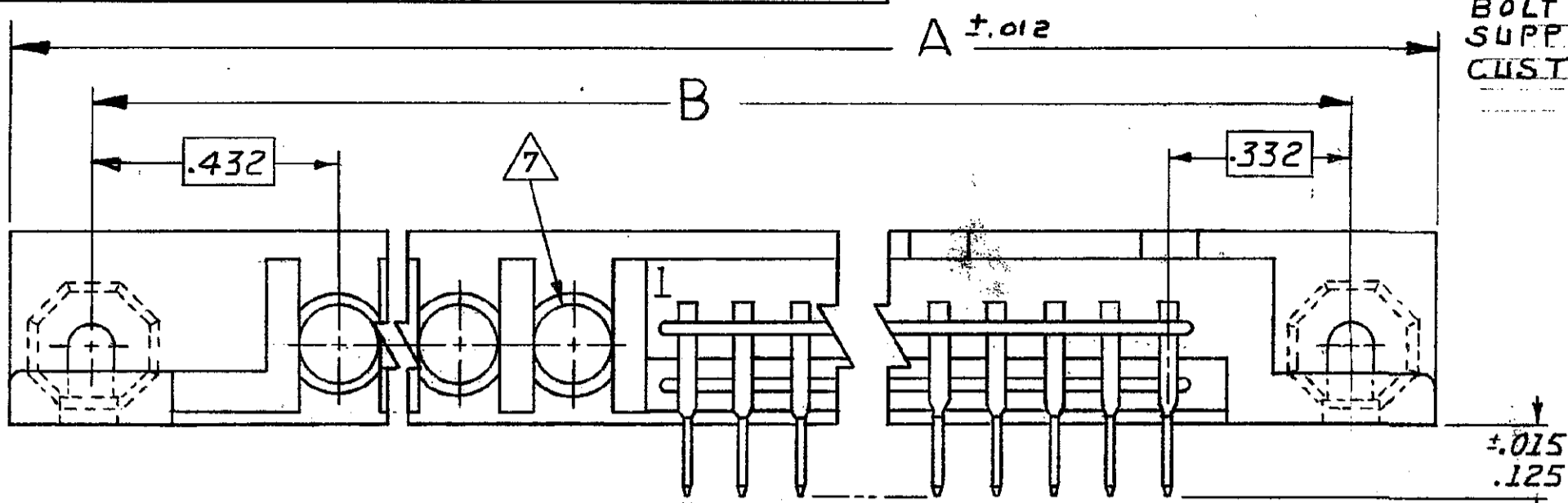


THIS DRAWING IS UNPUBLISHED. RELEASED FOR PUBLICATION 19
 © COPYRIGHT 19 BY AMP INCORPORATED, HARRISBURG, PA. ALL INTERNATIONAL RIGHTS RESERVED. AMP PRODUCTS MAY BE COVERED BY U.S. AND FOREIGN PATENTS AND/OR PATENTS PENDING.

REVISIONS						
P	F	ZONE	LTR	DESCRIPTION	DATE	APPROVED
V		E		ECO-10-006256 PY	4-10	DM



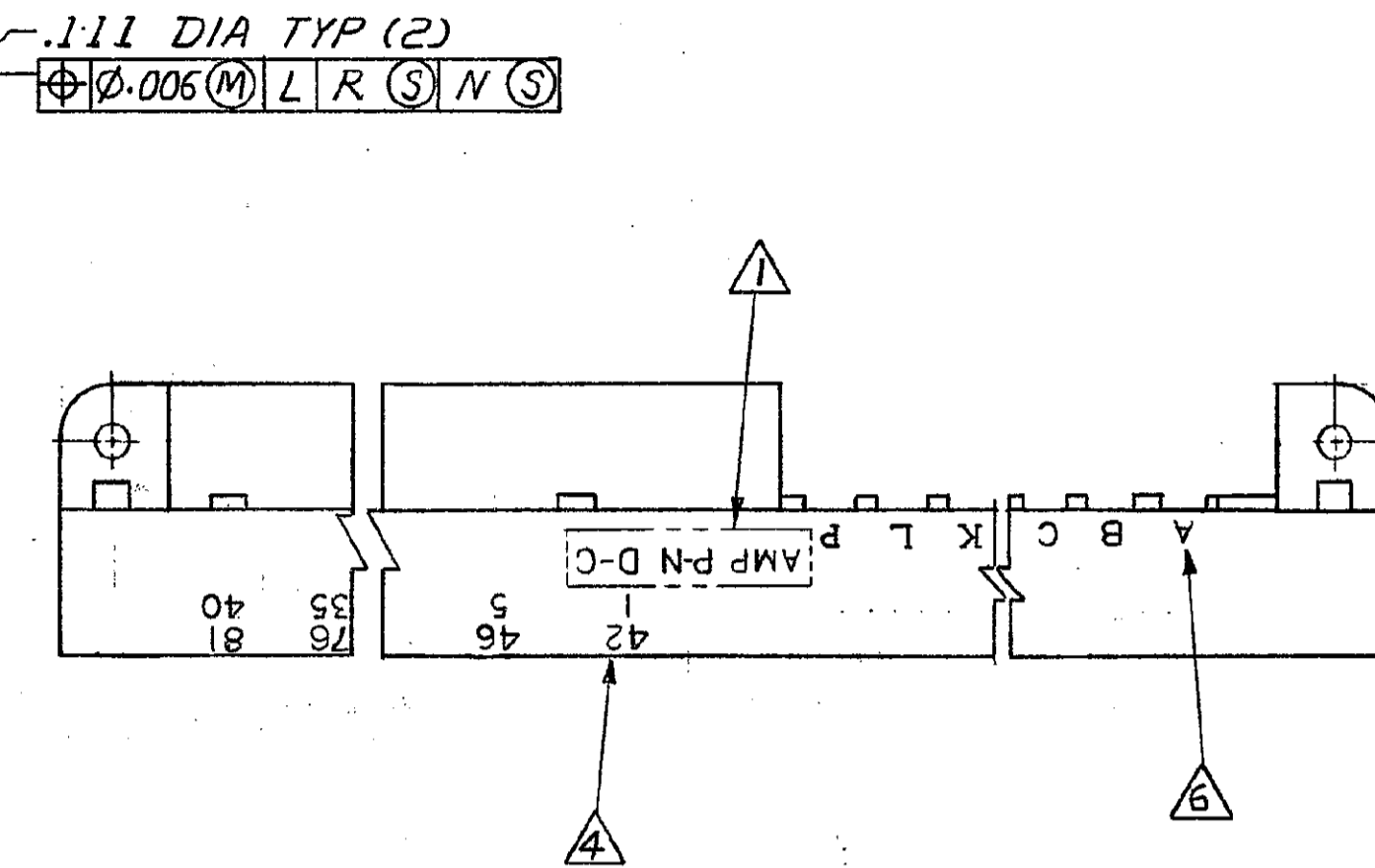
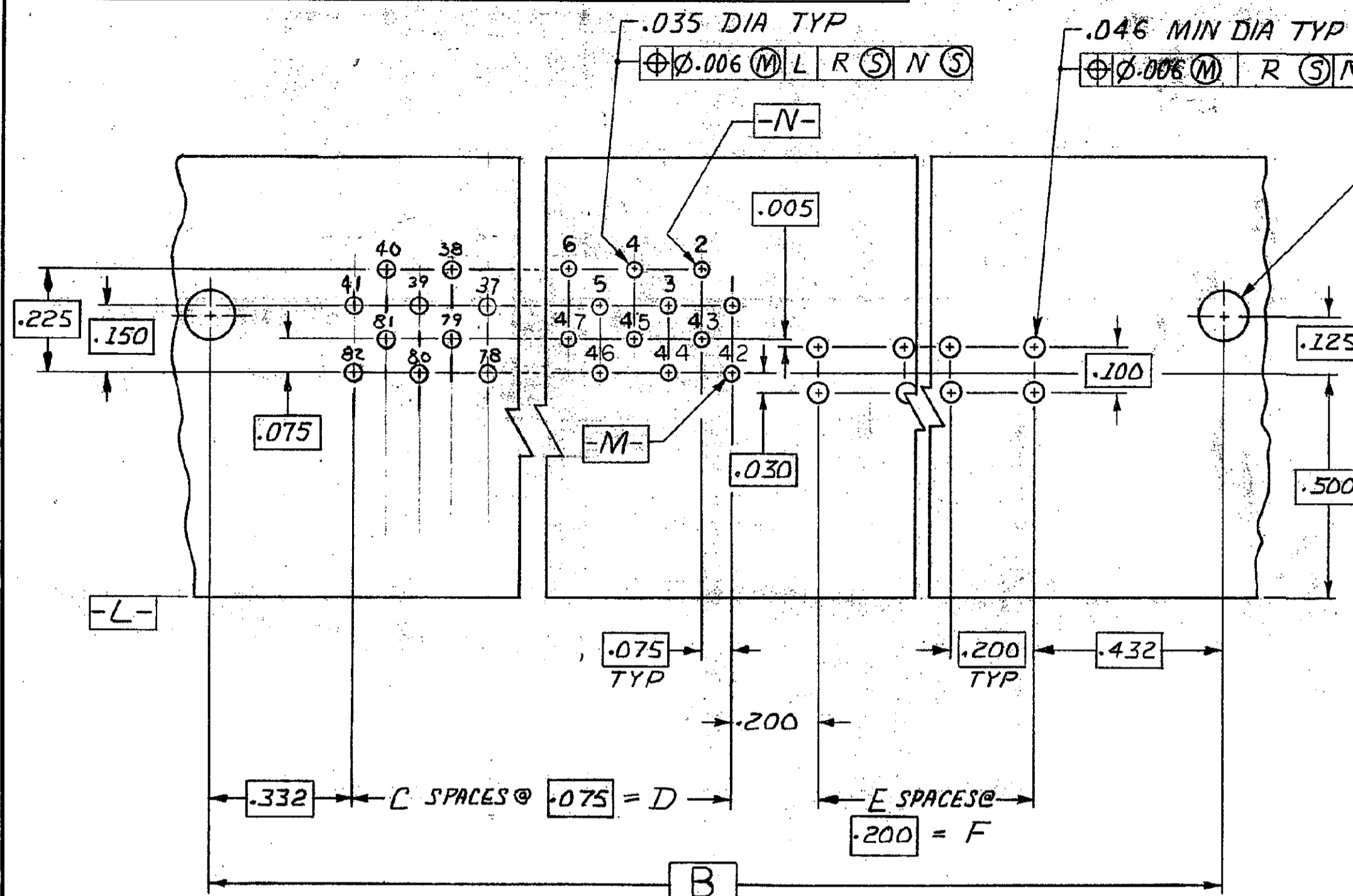
.025 R. OR BEVEL
 E SPACES @ .200 = F
 C SP @ .075 = D

UNLESS OTHERWISE SPECIFIED DIMENSIONS ARE IN INCHES. TOLERANCES ON: DECIMALS ±.010 ANGLES ±		CONTRACT NO DR <i>M. Smith</i> 8-30-85 CHK <i>E.H. McInnis</i> 1-30-86 APPD <i>S. McInnis</i> 1-30-86 APPD <i>L. Smith</i> 1/30/86		AMP INCORPORATED Harrisburg, Pa. 17105	
MATERIAL ② ③		DSGN APPD		NAME BOX PIN HDR ASSY, RGT ANGLE, .075 x .125 & 751 ECONOMY SERIES, WJ MULTI-COAX POSN	
FINISH ③		OTHER APPD		SIZE C	FSCM NO 00779
				DRAWING NO 534168	REV E
				SCALE 4:1	SHEET 1 of 2

534168

THIS DRAWING IS UNPUBLISHED. RELEASED FOR PUBLICATION . 19
© COPYRIGHT 19 BY AMP INCORPORATED, HARRISBURG, PA. ALL INTERNATIONAL RIGHTS RESERVED. AMP PRODUCTS MAY BE COVERED BY U.S. AND FOREIGN PATENTS AND/OR PATENTS PENDING.

REVISIONS				DATE	APPROVED
P	F	ZONE	LTR	DESCRIPTION	
				SEE SHEET 1	



RECOMMENDED P.C. BD LAYOUT (CONNECTOR SIDE)

- 1 AMP, TE PART NUMBER AND DATE CODE MARKED IN THIS AREA
- 2 HOUSING: POLYETHYLENE TEREPHTHALATE, COLOR-BLUE.
- 3 CONTACT: BRASS
FINISH: .000030 GOLD OVER .000050 NICKEL IN CONTACT CONTACT AREA, TIN-LEAD PLATE OVER NICKEL ON SOLDER TAILS.
- 4 NUMBERS AND LINES INDICATING EVERY 5 CAVITIES MARKED ON MATING FACE, NUMBERS INDICATING EVERY 5 CAVITIES MARKED ON SIDE
- 5 KEY POSITION IDENTIFICATION MOLDED ON SURFACE SHOWN
- 6 COAX POSITIONS (A, B, C, D, E, F, G, H, J, K, L & P) ARE MARKED ON THIS SIDE ONLY
- 7 WILL ACCEPT MICRO-MINIATURE COAX CONTACT, AMP P/N 227602-1 AND 227604-1. INSERT COAX CONTACT PIN 227602-1 FROM THIS SIDE BEFORE MOUNTING TO P.C. BD.

1.200	6	4.050	54	6.214	6.504	110	534168-2
2.200	11	3.000	40	6.164	6.454	82	534168-1
						No. BOX POSN.	PART NO
F	E	D	C	B	A		

UNLESS OTHERWISE SPECIFIED DIMENSIONS ARE IN INCHES. TOLERANCES ON: DECIMALS ± .010 ANGLES ±	CONTRACT NO		AMP AMP INCORPORATED Harrisburg, Pa. 17105 NAME BOX PIN HDR ASSY, RGT ANGLE, .075 x .125 & .751 ECONOMY SERIES, W/ MULTI-COAX POSN				
	DR	9-3-85					
MATERIAL	CHK	1-30-86	SIZE	FSCM NO	DRAWING NO	REV	
	APPD	1-30-86					
FINISH	APPD	11/30/86	OTHER APPD	SCALE	SHEET	2 OF 2	
	DSGN APPD						C

534168

单击下面可查看定价，库存，交付和生命周期等信息

[>>TE Connectivity\(泰科\)](#)