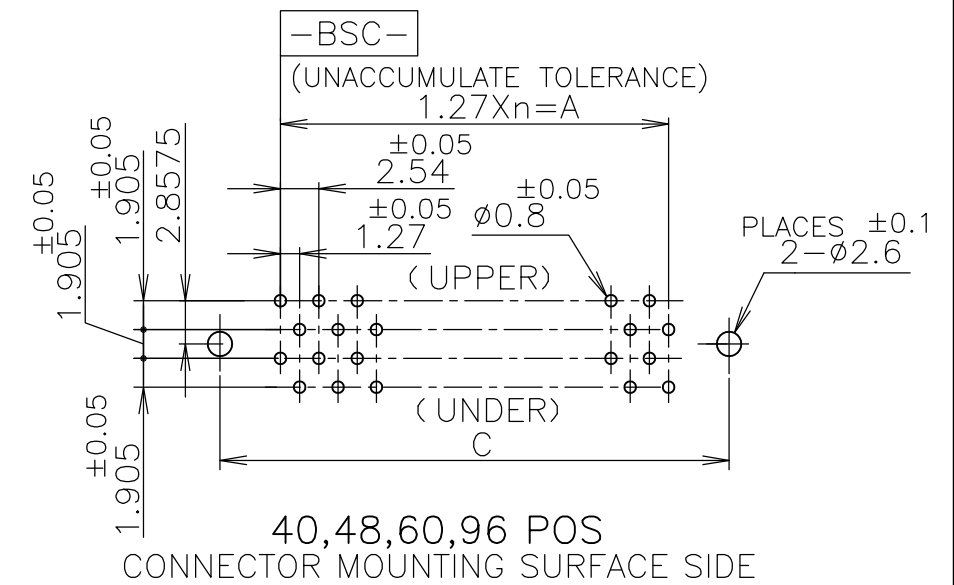
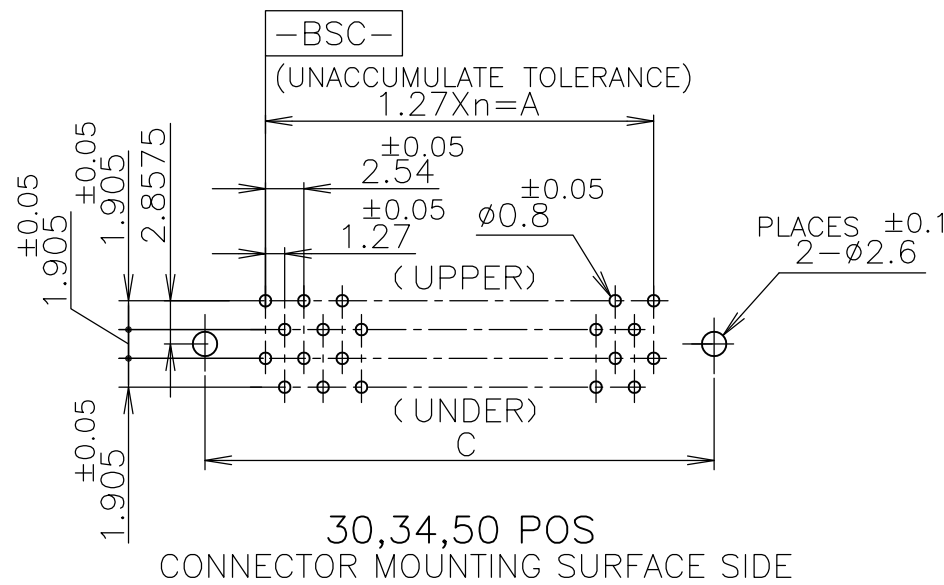
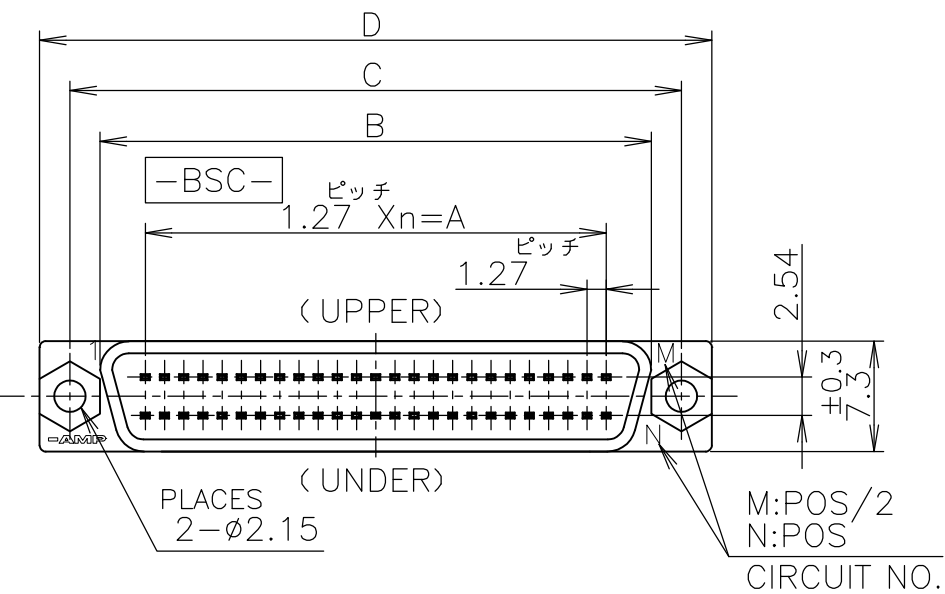
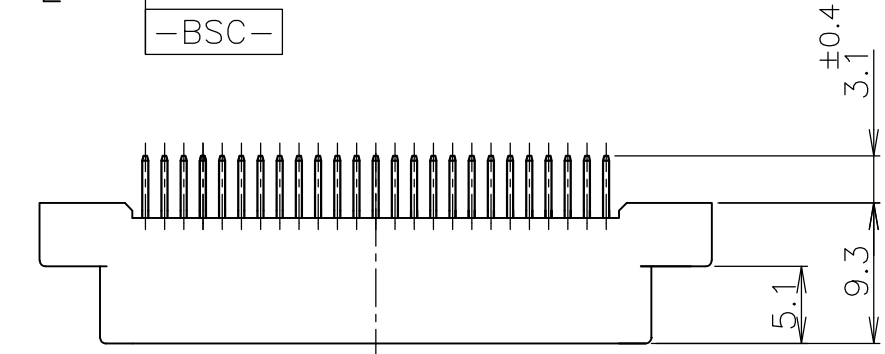
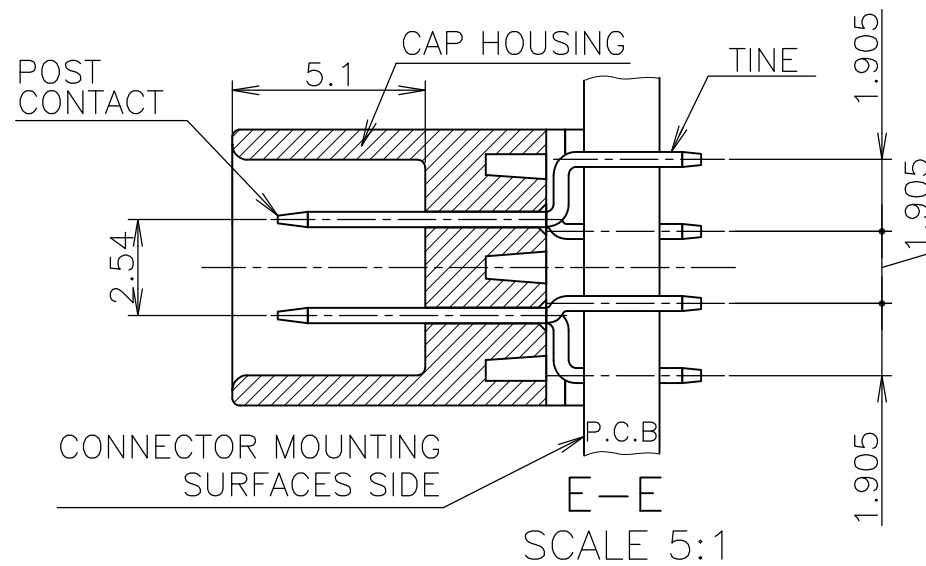
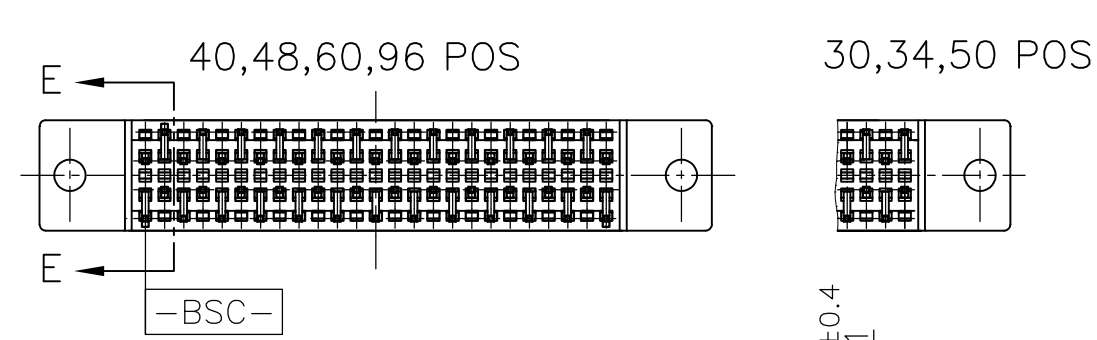


| P | LTR | DESCRIPTION | DATE | DWN | APVD |
|---|-----|---------------------------|-----------|-----|------|
| | B | REVISED PER ECO-17-002585 | 16JUN2017 | AP | DG |



- 1 USE A P.C.B. WHOSE SURFACES ARE TREATED WITH SOLDER RESIST.
- 2 SHOW P.C.B LAYOUT FROM THE CONNECTOR-MOUNTING SURFACE SIDE.
- 3 NUMBER THE CONTACTS IN THE P.C.B OR CONNECTOR CONSECUTIVELY FROM THE **-BSC-** SIDE.
- 4 WHEN SCREWING THE CONNECTOR TO THE P.C.B, USE M2 SCREW, NUT AND WASHERS.
- 5 HOUSING MATERIAL : THERMOPLASTICS (UL94-V0). COLOR:BLACK
- 6 CONTACT MATERIAL : COPPER ALLOY
- 7 FINISH : NICKEL 1.27μ MIN THK. OVERALL SELECTIVE GOLD 0.2μ MIN THK ON CONTACT AREA AND TIN 1μ MIN THK ON TINE AREA.
- 8 OBSOLETE PARTS: OBSOLETE CIS STREAMLINING PER D.RENAUD/D.SINISI

| | | | | | | | | | |
|----------|----------|----|-----------|-----|-------|-------|-------|-------|-------|
| 8 | OBSOLETE | -8 | 96 | 47 | 59.69 | 65.66 | 69.66 | 73.66 | |
| | | -6 | 48 | 23 | 29.21 | 35.18 | 39.18 | 43.18 | |
| 8 | OBSOLETE | -5 | 34 | 16 | 20.32 | 26.29 | 30.29 | 34.29 | |
| | | -4 | 60 | 29 | 36.83 | 42.80 | 46.80 | 50.80 | |
| | | -3 | 50 | 24 | 30.48 | 36.45 | 40.45 | 44.45 | |
| OBSOLETE | | -2 | 40 | 19 | 24.13 | 30.10 | 34.10 | 38.10 | |
| | | | | | | | | | |
| | | | 5173280-1 | 30 | 14 | 17.78 | 23.75 | 27.75 | 31.75 |
| | | | P/N | POS | n | A | B | C | D |

| GENERAL TOLERANCE | 一般公差 |
|-------------------|------|
| 10 ≥ : ±0.2 | |
| 30 ≥ > 10: ±0.25 | |
| 100 ≥ > 30: ±0.3 | |
| ANGLES: ±3° | |

THIS DRAWING IS A CONTROLLED DOCUMENT.

DIMENSIONS: 単位: 耗 MM

TOLERANCES UNLESS OTHERWISE SPECIFIED: 一般公差

0 PLC ± -

1 PLC ± -

2 PLC ± -

3 PLC ± -

4 PLC ± -

ANGLES ± -

MATERIAL 材料 参照 - 5 6

FINISH 仕上 参照 - 7

DWN T.KAWAMAE 01APR05

CHK I.ENOMOTO 01APR05

APVD I.ENOMOTO 01APR05

NAME 名称

PRODUCT SPEC 製品規格

108-60036

APPLICATION SPEC 取付適用規格

WEIGHT 0

CUSTOMER DRAWING

SCALE 尺度 2:1

SHEET 1 OF 3

REV B

RESTRICTED TO

SIZE A3

CAGE CODE 00779

DRAWING NO 番号 G-5173280

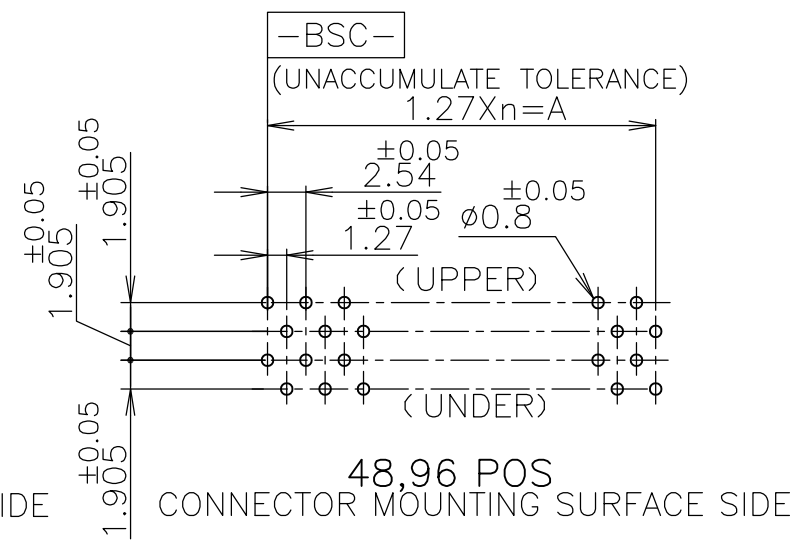
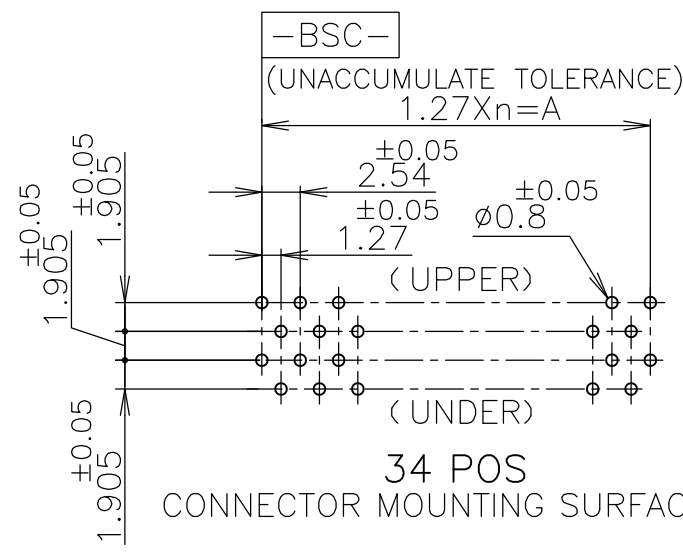
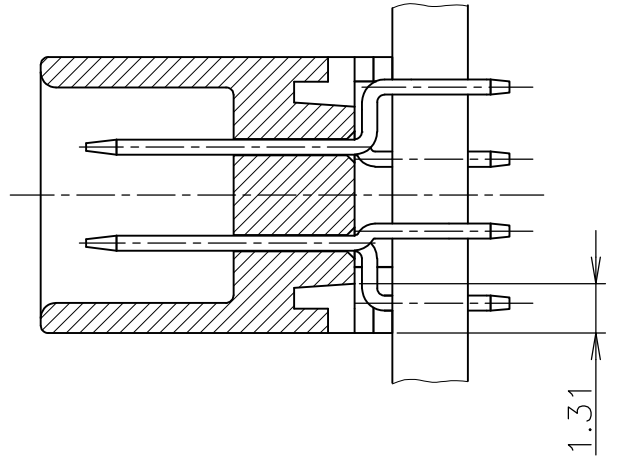
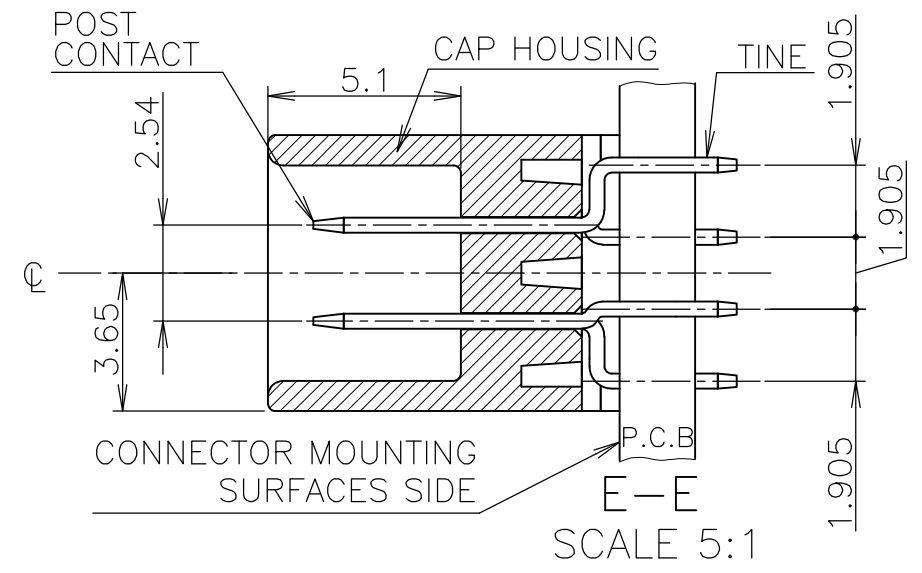
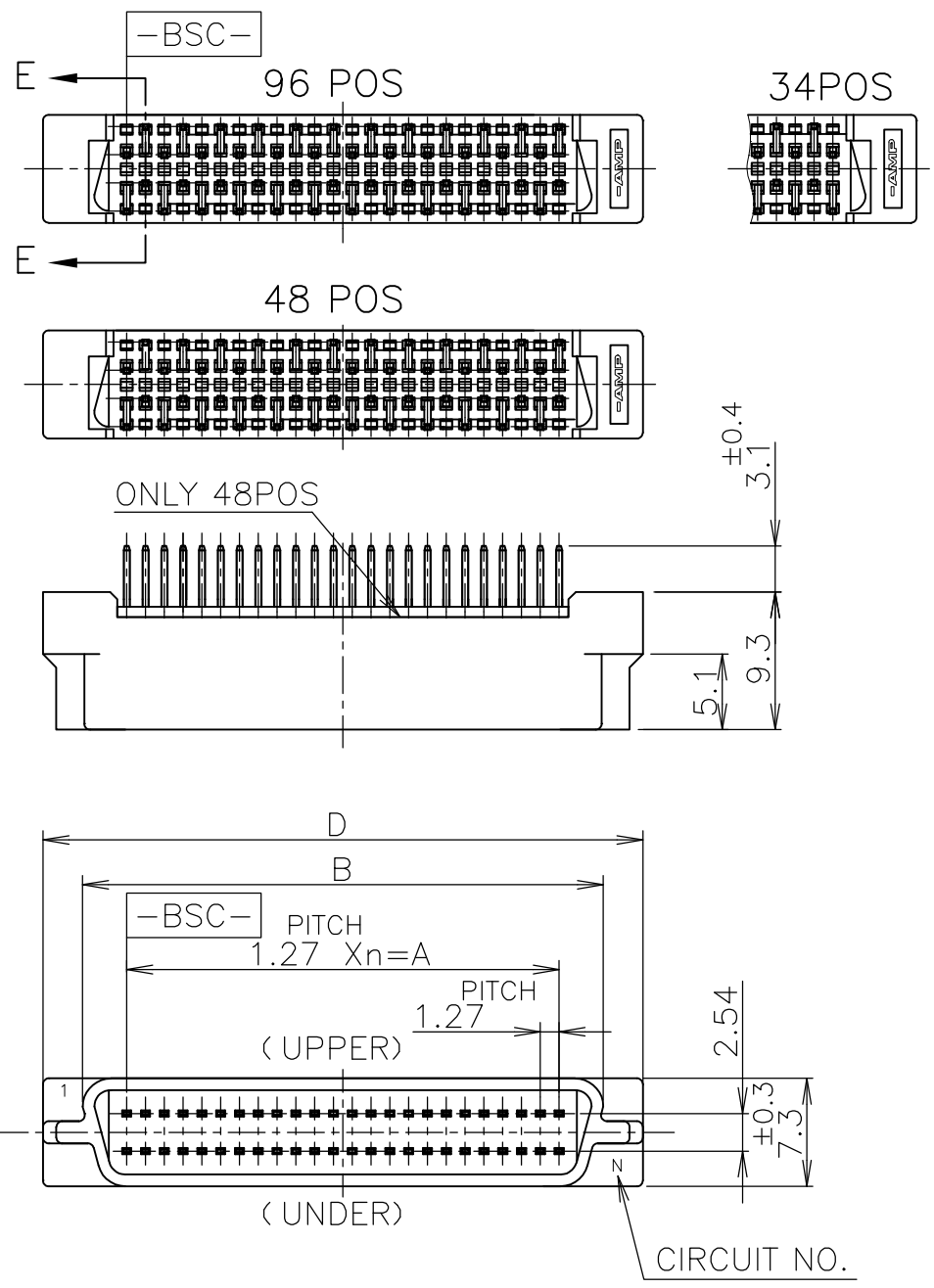
TE Connectivity

CAP ASSY VERTICAL

AMPLIMITE 050 SERIES I B-TO-B CONN.

THIS DRAWING IS UNPUBLISHED. RELEASED FOR PUBLICATION OCT, 1984.
 © COPYRIGHT 1984 By - ALL RIGHTS RESERVED.

| REVISIONS | | | | | |
|-----------|-----|-------------|------|-----|------|
| P | LTR | DESCRIPTION | DATE | DWN | APVD |
| - | - | SEE SHEET 1 | - | - | - |



- USE A P.C.B. WHOSE SURFACES ARE TREATED WITH SOLDER RESIST.
- SHOW P.C.B LAYOUT FROM THE CONNECTOR-MOUNTING SURFACE SIDE.
- NUMBER THE CONTACTS IN THE P.C.B OR CONNECTOR CONSECUTIVELY FROM THE [-BSC-] SIDE.

- HOUSING MATERIAL : THERMOPLASTICS (UL94-V0). COLOR:BLACK
- CONTACT MATERIAL : COPPER ALLOY
- FINISH : NICKEL 1.27μ MIN THK. OVERALL SELECTIVE GOLD 0.2μ MIN THK ON CONTACT AREA AND TIN 1μ MIN THK ON TINE AREA.

| GENERAL TOLERANCE | |
|-------------------|-------|
| 一般公差 | |
| 10 ≥ : | ±0.2 |
| 30 ≥ > 10: | ±0.25 |
| 100 ≥ > 30: | ±0.3 |
| ANGLES: ±3° | |

| | |
|--|---|
| THIS DRAWING IS A CONTROLLED DOCUMENT. | |
| DIMENSIONS: 単位: 耗 MM | TOLERANCES UNLESS OTHERWISE SPECIFIED: 一般公差 |
| | 0 PLC ± - |
| | 1 PLC ± - |
| | 2 PLC ± - |
| | 3 PLC ± - |
| MATERIAL 材料 | 4 PLC ± - |
| | ANGLES ± - |
| SEE-④ ⑤ | FINISH 仕上 |
| | SEE-⑥ |

| | |
|----------------------------|---|
| DWN | - |
| CHK | - |
| APVD | - |
| PRODUCT SPEC 製品規格 | - |
| APPLICATION SPEC 取付適用規格 | - |
| WEIGHT | - |

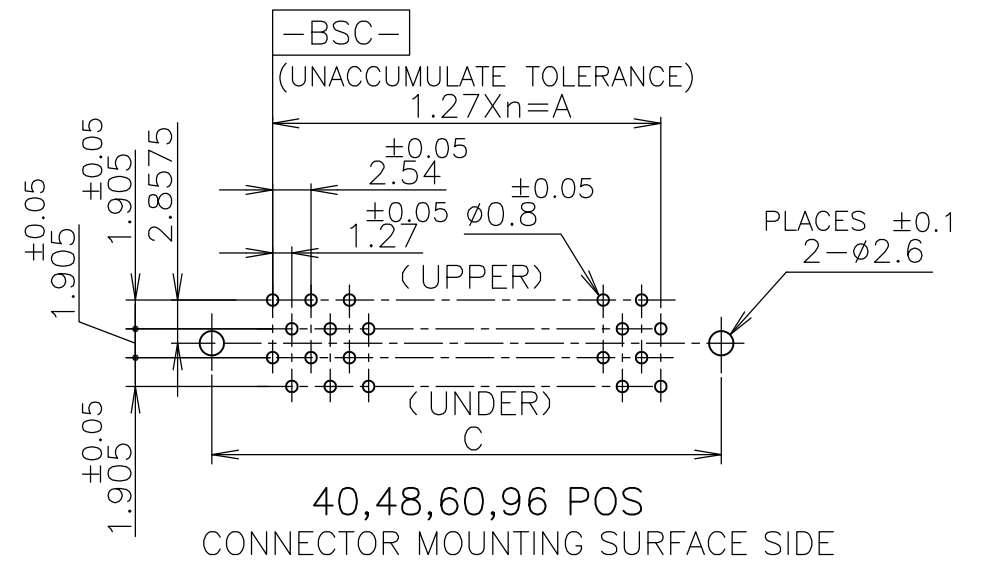
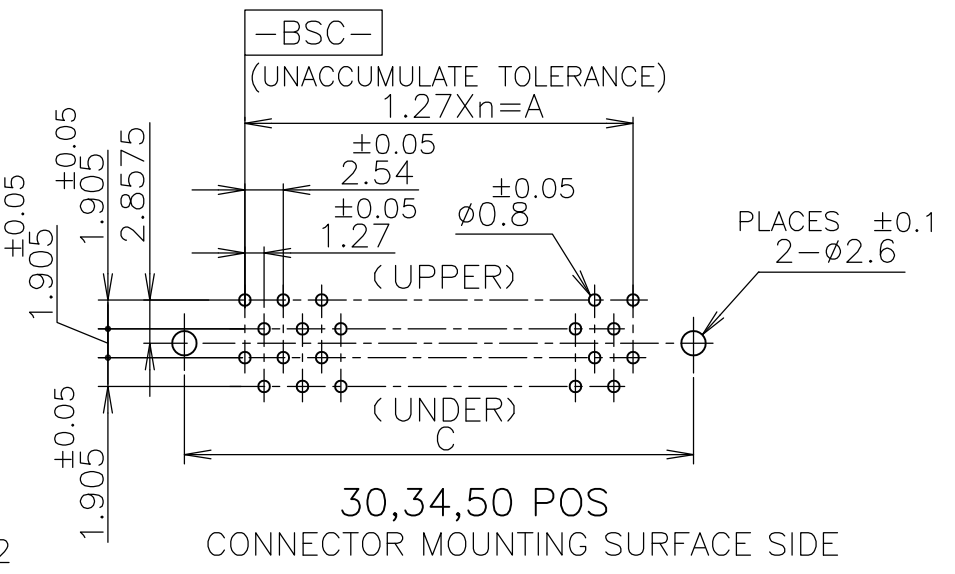
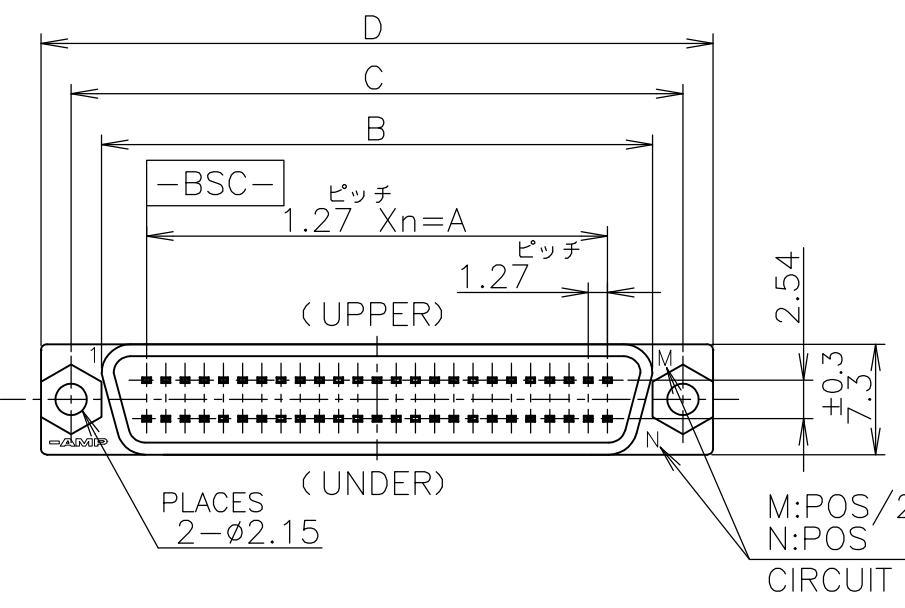
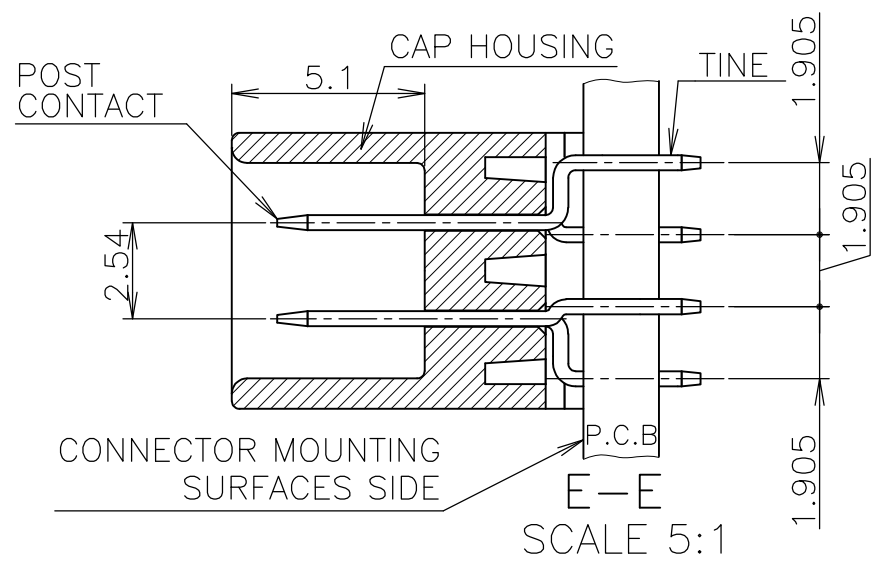
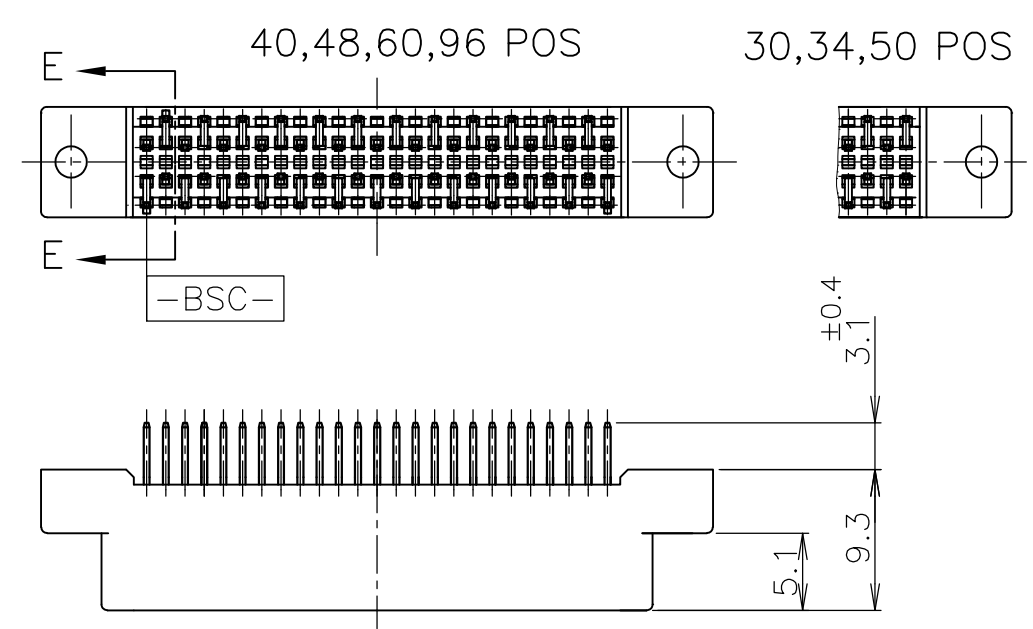
| | | | | | | |
|-------------|----|----|----|-------|-------|-------|
| 2- | -8 | 96 | 47 | 59.69 | 65.66 | 71.00 |
| 2- | -6 | 48 | 23 | 29.21 | 35.18 | 40.52 |
| 2-5173280-5 | | 34 | 16 | 20.32 | 26.29 | 31.63 |
| P/N | 極数 | n | A | B | D | |

| | | | |
|---|-----------|------------------|-----------------|
| STE TE Connectivity | | | |
| NAME 名称 CAP ASSY VERTICAL AMPLIMITE .050 SERIES I B-TO-B CONN. | | | |
| SIZE | CAGE CODE | DRAWING NO 番号 | RESTRICTED TO |
| A3 | 00779 | C-5173280 | - |
| CUSTOMER DRAWING | | SCALE 尺度 2:1 | SHEET 2 OF 3 |
| | | REV B | |

THIS DRAWING IS UNPUBLISHED.
 © COPYRIGHT 1984 By -
 ALL RIGHTS RESERVED.

RELEASED FOR PUBLICATION
 OCT , 1984.

| REVISIONS 変更 | | | | | |
|-----------------|-----|-------------|------|-----|------|
| P | LTR | DESCRIPTION | DATE | DWN | APVD |
| - | - | SEE SHEET 1 | - | - | - |



- USE A P.C.B. WHOSE SURFACES ARE TREATED WITH SOLDER RESIST.
- SHOW P.C.B LAYOUT FROM THE CONNECTOR-MOUNTING SURFACE SIDE.
- NUMBER THE CONTACTS IN THE P.C.B OR CONNECTOR CONSECUTIVELY FROM THE [-BSC-] SIDE.
- WHEN SCREWING THE CONNECTOR TO THE P.C.B, USE M2 SCREW, NUT AND WASHERS.
- HOUSING MATERIAL : THERMOPLASTICS (UL94-V0). COLOR:BLACK
- CONTACT MATERIAL : COPPER ALLOY
- FINISH : NICKEL 1.27μ MIN THK. OVERALL SELECTIVE GOLD 0.76μ MIN THK ON CONTACT AREA AND TIN 1μ MIN THK ON TINE AREA.

| | | | | | | | |
|-------------|----|-----|----|-------|-------|-------|-------|
| 6- | -8 | 96 | 47 | 59.69 | 65.66 | 69.66 | 73.66 |
| 6- | -6 | 48 | 23 | 29.21 | 35.18 | 39.18 | 43.18 |
| 6- | -5 | 34 | 16 | 20.32 | 26.29 | 30.29 | 34.29 |
| 6- | -4 | 60 | 29 | 36.83 | 42.80 | 46.80 | 50.80 |
| 6- | -3 | 50 | 24 | 30.48 | 36.45 | 40.45 | 44.45 |
| 6- | -2 | 40 | 19 | 24.13 | 30.10 | 34.10 | 38.10 |
| 6-5173280-1 | | 30 | 14 | 17.78 | 23.75 | 27.75 | 31.75 |
| P/N | | POS | n | A | B | C | D |

GENERAL TOLERANCE
一般公差

10 ≥ : ±0.2
 30 ≥ > 10: ±0.25
 100 ≥ > 30: ±0.3
 ANGLES: ±3°

THIS DRAWING IS A CONTROLLED DOCUMENT.

DIMENSIONS: 単位: 耗 MM

TOLERANCES UNLESS OTHERWISE SPECIFIED: 一般公差

0 PLC ± -
 1 PLC ± -
 2 PLC ± -
 3 PLC ± -
 4 PLC ± -
 ANGLES ± -

MATERIAL 材料 SEE 参照 - 5 6

FINISH 仕上 SEE 参照 - 7

DWN -

CHK -

APVD -

PRODUCT SPEC 製品規格

APPLICATION SPEC 取付適用規格

WEIGHT

STE TE Connectivity

NAME 名称
CAP ASSY VERTICAL
AMPLIMITE .050 SERIES I B-TO-B CONN.

SIZE A3 CAGE CODE 00779 DRAWING NO. 5173280 RESTRICTED TO

CUSTOMER DRAWING SCALE 尺度 2:1 SHEET 3 OF 3 REV B

单击下面可查看定价，库存，交付和生命周期等信息

[>>TE Connectivity\(泰科\)](#)