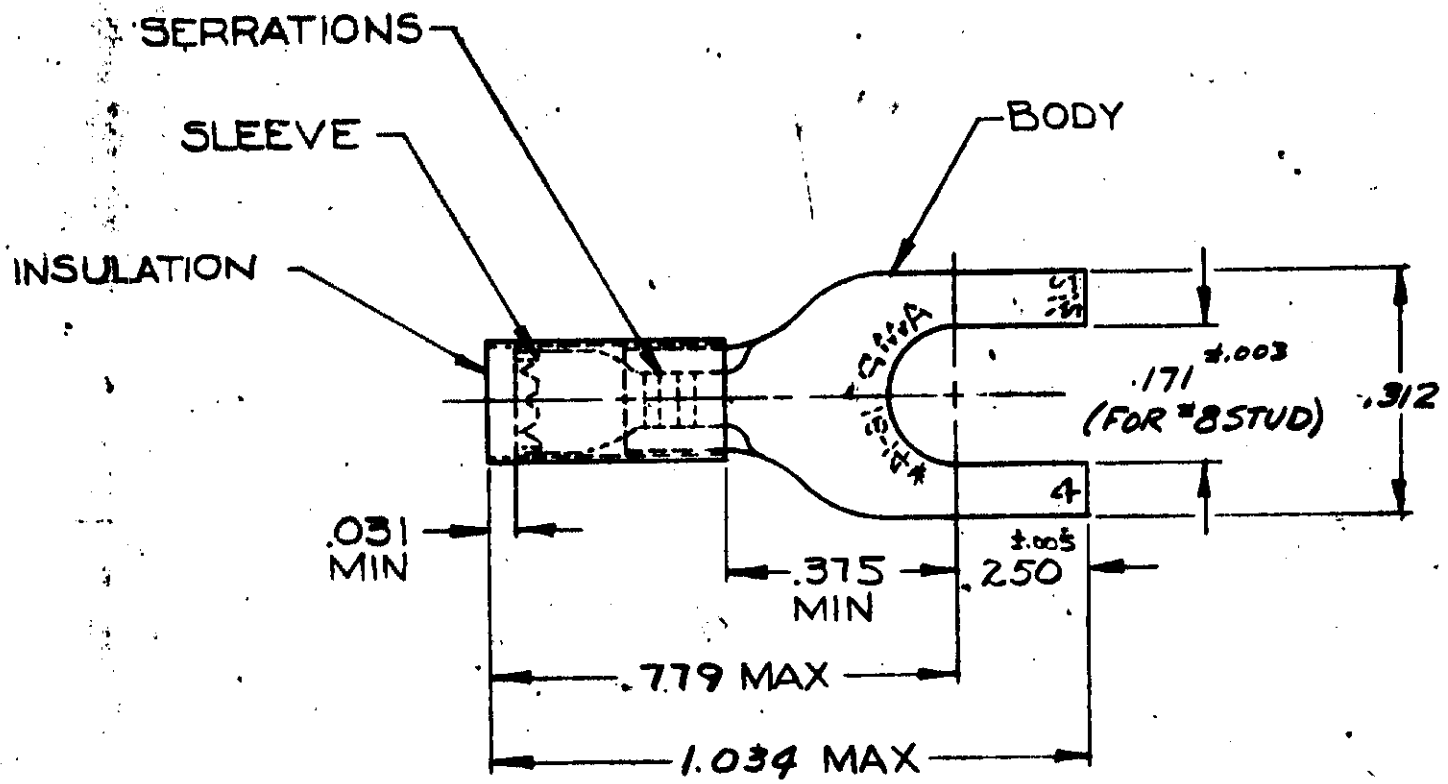


IN AMERICAN PROJECTION

6 147

© 1968 AMP INCORPORATED, ALL RIGHTS RESERVED. AMP PRODUCTS COVERED BY PATENTS AND/OR PATENTS PENDING.

REVISIONS			
LTR	DESCRIPTION	DATE	APPROVED
B	REDRAWN, REVISED P-6079	JME 3-16-70	FCY
C	REV PER 6-4732	JT 7/26/88	PLS



TONGUE MATERIAL THK = .031 ±.002
FOR .115 TO .170 WIRE INSULATION DIA

QTY	DESCRIPTION	PART NO	BODY: COPPER (QQ-C-576) TIN PL (MIL-T-10727)	
			SLEEVE: COPPER (QQ-C-576) INSULATION: NYLON COLOR: BLUE	
			MATERIAL & FINISH	
UNLESS OTHERWISE SPECIFIED DIMENSIONS ARE IN INCHES TOLERANCES ON: DECIMALS ±.008 ANGLES ± 5°			AMP INCORPORATED HARRISBURG, PENNSYLVANIA	
MATERIAL			NAME	
SEE TABLE			WIRE TERMINAL P.I.D.G. - SPADE WIRE SIZE: 16-14	
CONTRACT NO. _____			SIZE	CODE IDENT NO.
DR. <i>JME</i> 3-13-70			A	00779
CHK. <i>FCY</i> 3-16-70			NUMBER	
APPD. <i>JL</i> 3-16-70			325199	
REL. <i>JT</i> 3-17-70			SCALE NTS	
DSGN APPD.			SHEET 1 OF 1	
OTHER APPD.				

单击下面可查看定价，库存，交付和生命周期等信息

[>>TE Connectivity\(泰科\)](#)