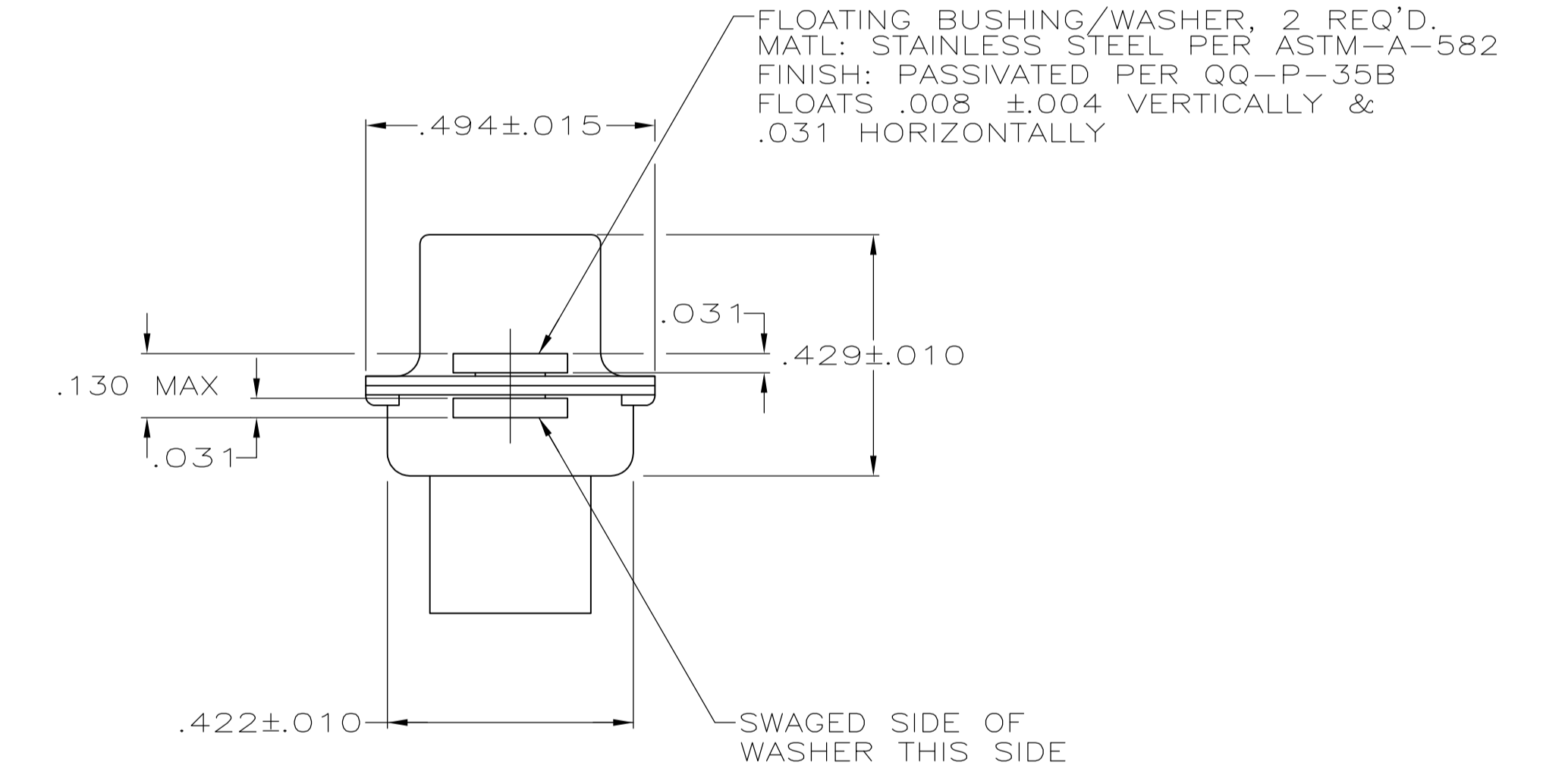
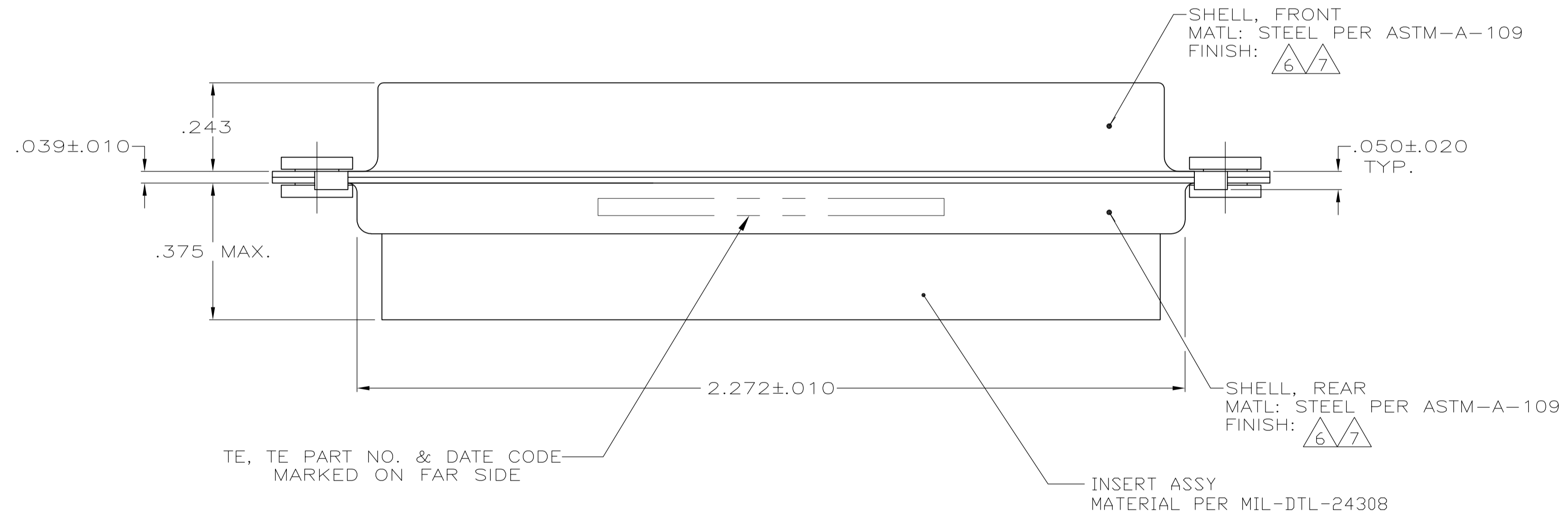
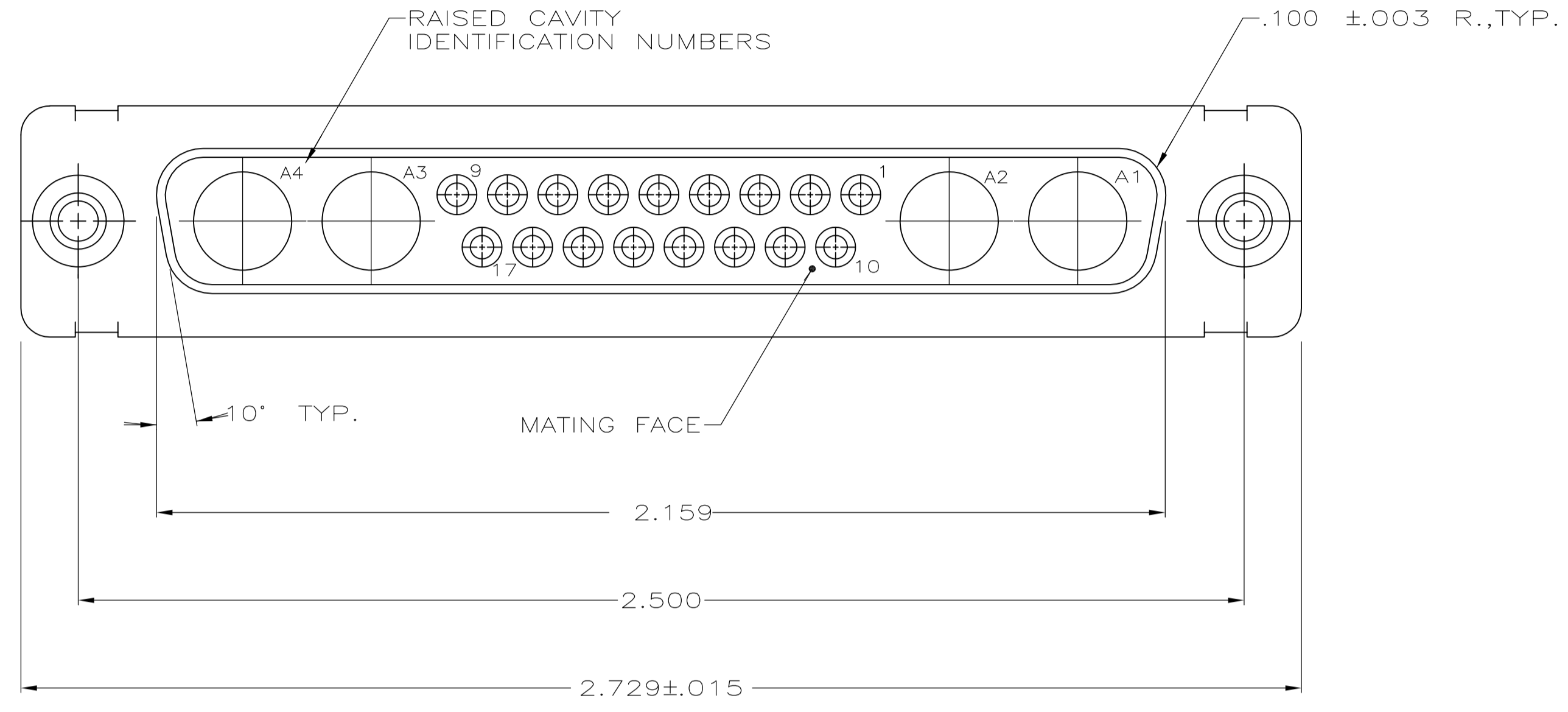


LOC		DIST		REVISIONS			
P	LTR	DESCRIPTION	DATE	DMN	APVD		
C		REV PER ECO 15-005929	5-13-15	CT	DM		

1. THIS RECEPTACLE WILL MATE WITH ANY 21C4, SIZE 4 PLUG IN AMPLIMITE SERIES.
 2. MAXIMUM WIRE INSULATION TO BE USED WITH THIS RECEPTACLE IS .068 DOA.
 3. STAINLESS STEEL RETENTION CLIPS (17) ARE INCLUDED IN INSERT ASSEMBLY.
 4. THIS CONNECTOR ACCEPTS SIZE 20 SOCKET SIGNAL CONTACTS.
 5. USE 4 SIZE AND POWER OR COAX SOCKET CONTACTS. CONSULT PRODUCT ENGINEERING FOR MORE DETAILS.
- 6 FINISH: CADMIUM PER QQ-P-416.
7 FINISH: ZINC PLATED PER ASTM-B-633 .000200-.000400 THK WITH SUPPLEMENTARY CHROMATE (Cr3+).



7	5-445726-1
6	445726-1
REMARKS	PART NO

THIS DRAWING IS A CONTROLLED DOCUMENT.		DIN T. SHUEY 1-21-88	TE Connectivity	
DIMENSIONS: INCHES		CHK A. EMADI 11-10-88	NAME	
TOLERANCES UNLESS OTHERWISE SPECIFIED:		APVD	PRODUCT SPEC	
0. PLC ± -	1. PLC ± -	APVD	APPLICATION SPEC	
2. PLC ± -	3. PLC ± .005	APVD	RESTRICTED TO	
4. PLC ± -	ANGLES ± -	APVD	MATERIAL SEE CALLOUTS	
FINISH SEE CALLOUTS		WEIGHT	SIZE A1	CAGE CODE 00779
CUSTOMER DRAWING		SCALE 4:1	SHEET 1 OF 1	REV C

单击下面可查看定价，库存，交付和生命周期等信息

[>>TE Connectivity\(泰科\)](#)