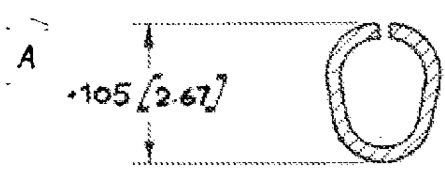
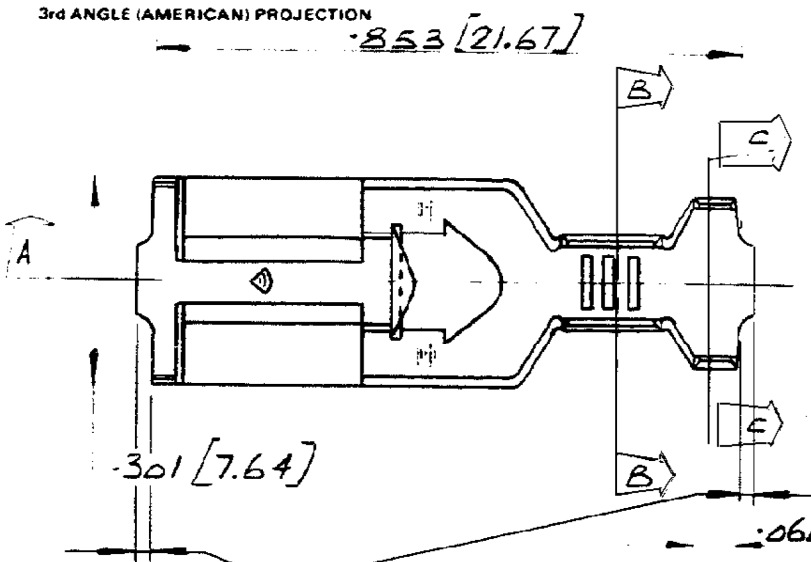


NUMBER
C-341412

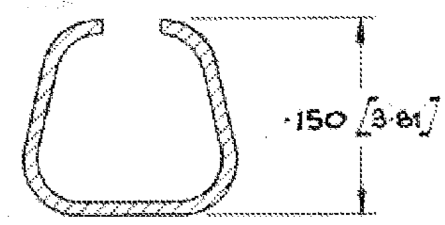
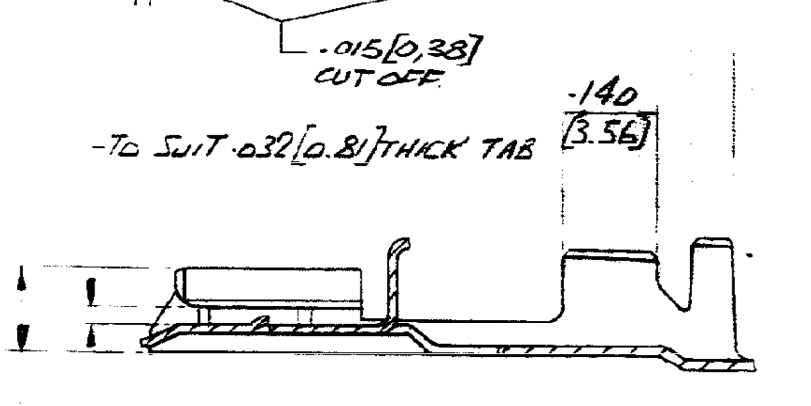
3rd ANGLE (AMERICAN) PROJECTION

DIMENSIONS IN INCHES DO NOT SCALE PRINT
DIMENSIONS THUS [] IN MM.



SECTION B-B

WIRE BARREL SECTION B-B
PRE-FORM TO HEIGHT
SHOWN WITH .115 [2.92] 'F'
CRIMPER



SECTION C-C

INSULATION BARREL SECTION C-C
PRE-FORM TO HEIGHT SHOWN WITH
[4.19] 'F' CRIMPER

⚠ OBSOLETE PARTS

PART NO.	MATERIAL	FINISH	
C-341412-5	NICKEL SILVER	NONE	⚠
C-341412-4	PHOSPHOR BRONZE	PRE-TIN	⚠
C-341412-3	PHOSPHOR BRONZE	NONE	⚠
C-341412-2	BRASS	PRE-TIN	
C-341412-1	BRASS	NONE	

DR	J.P. STOCKWELL	3/15/73	DE	J.P. Stockwell	4-12
CHK			APP		

© TE of GREAT BRITAIN LTD
1978

MATERIAL AND FINISH
SEE TABLE

TE Connectivity

CLASS

TYPE

WIRE RANGE - INSULATION
0.5mm - 2.5mm 2.1mm - 2.9mm

TOLERANCE EXCEPT AS NOTED
+ .015 [0.38] - 1.0

SCALE
A:1

LOC REV NO
E A1 C-341412

NAME
LOOSE PIECE PART
POSITIVE LOCK RECEPTACLE MK II (2.0)

PRINT DIST.

单击下面可查看定价，库存，交付和生命周期等信息

[>>TE Connectivity\(泰科\)](#)